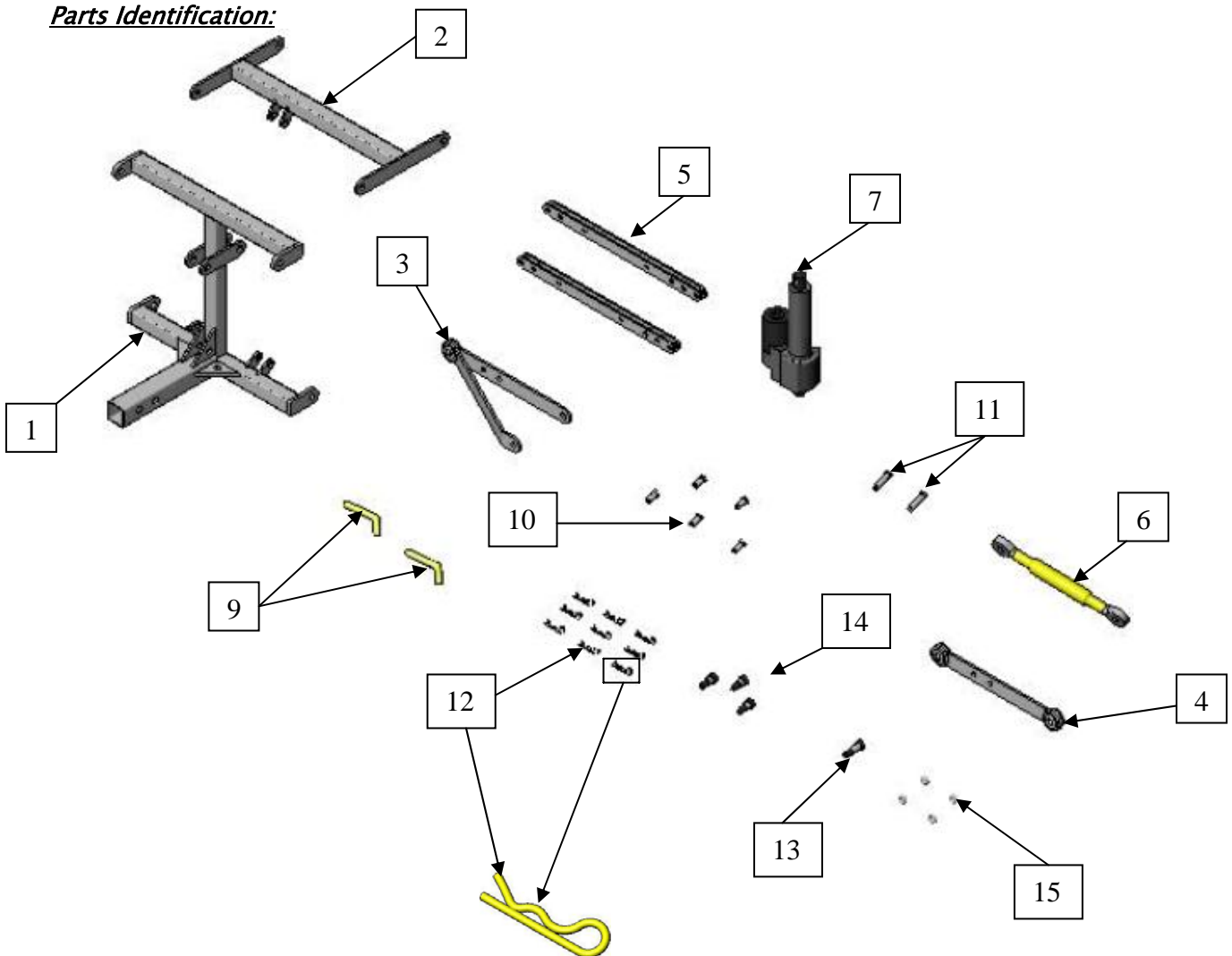




WHS03E (Cat. "0" ATV 3-Point System)

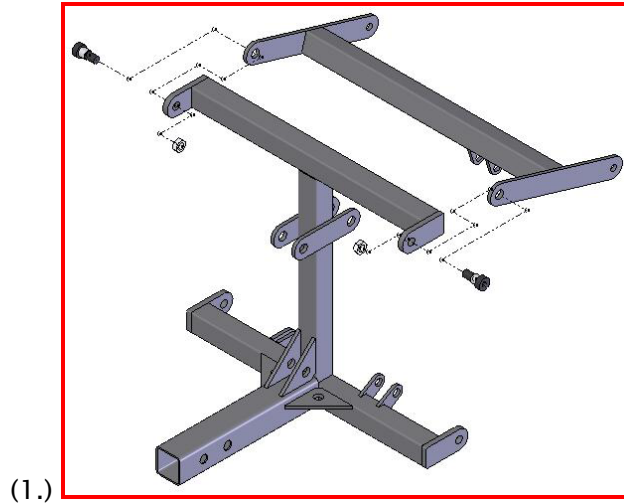
NO.	Description	QTY.	Spare P/N
1	Main Tree Weldment	1	
2	Lift Arm Weldment	1	
3	Sway Bar Weldment	1	60024
4	Ball Swivel Lift Arm	1	60025
5	Adjustable Vertical Link	1	60026
6	Cat. "0" Top Link	1	60019
7	Actuator	1	11039
8	Wire Harness (not shown)	1	60041
9	5/8" x 3.00" Bent Hitch Pin	2	60027
10	1/2" x 1.50" Pin	5	
11	1/2" x 2.38" Pin	2	
12	"R" Clip	9	
13	5/8" Shoulder Bolt x 1" Shoulder	1	
14	5/8" Shoulder Bolt x 1/2" Shoulder	3	
15	1/2" - 13 Nylock Jam Nut	4	
16	Allen Wrench	1	

Parts Identification:

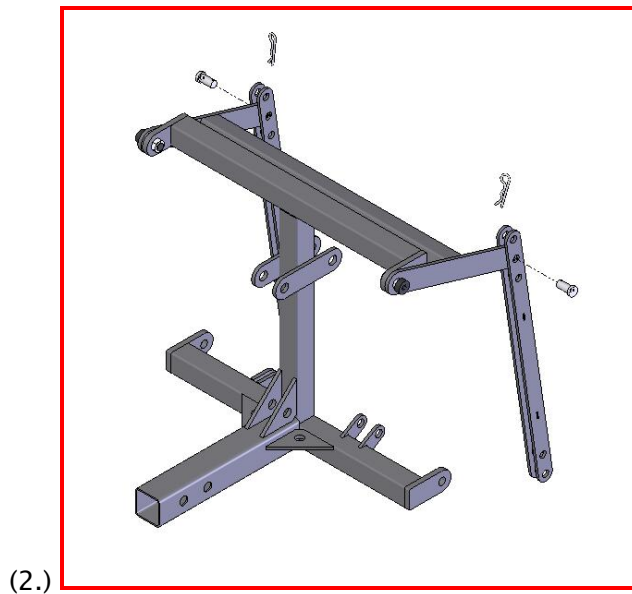


Assembly Instructions:

1. Starting with the Main Tree Weldment and the Lift Arm Weldment, bolt the Lift Arm Weldment to the Main Tree Weldment using the (2) 5/8" x .50" Shoulder Bolt and (2) 1/2" Nylock Jam Nuts as shown in the picture below. The 5/8" Shoulder Bolt should slide through the bigger diameter hole on the Lift Arm Weldment. Do Not Tighten Yet.

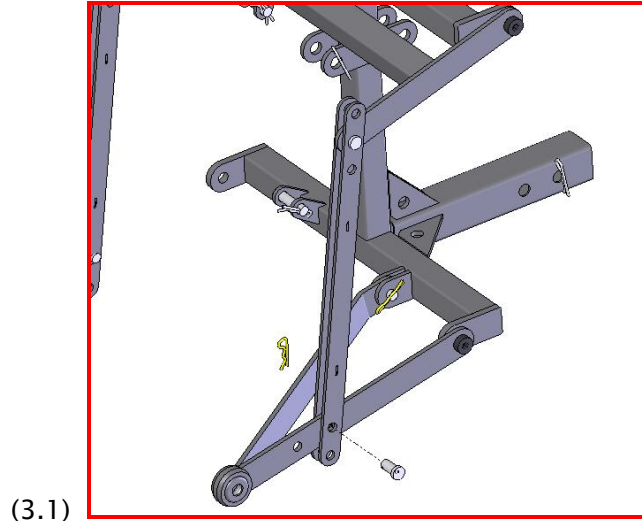
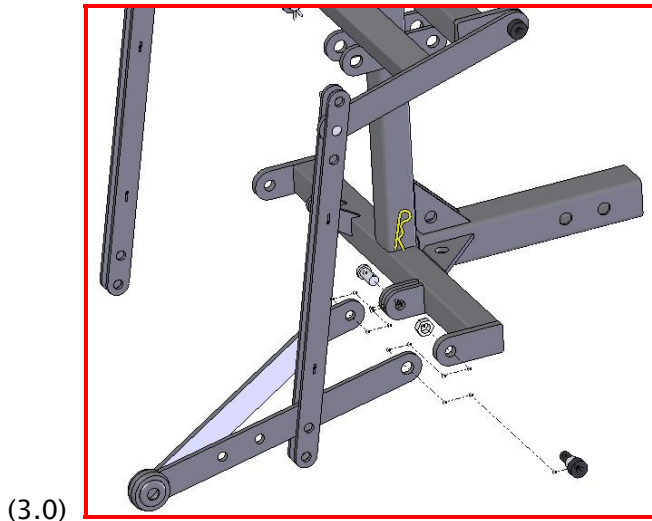


2. Next, attach the (2) Adjustable Vertical Links to the Lift Arm Weldment using the (2) 1/2" x 1.50" Pins. Place the (2) R-Clips through the hole in the end of the 1/2" Pin to secure the two Adjustable Vertical Links to the Lift Arm Weldment.

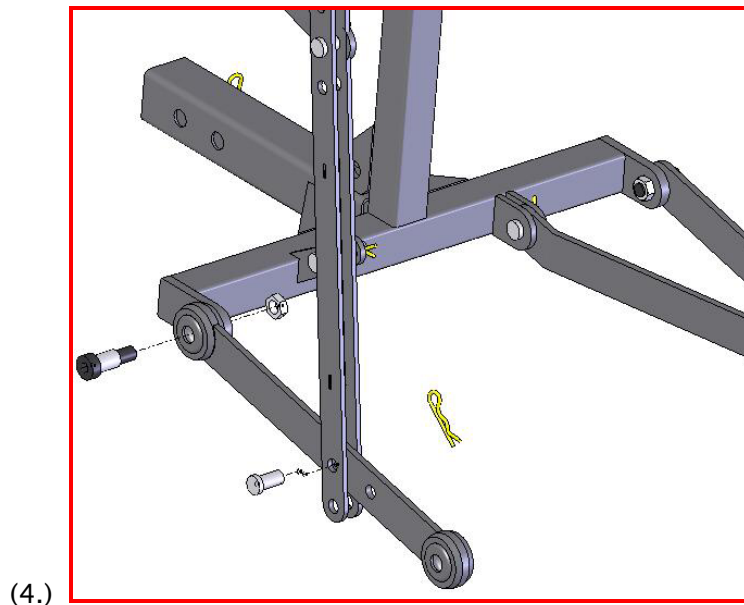


Kolpin Outdoors, Inc.
205 N. Depot Street, Fox Lake, WI 53933
Phone #: (877) 9KOLPIN or (920) 928-6514
www.kolpinpowersports.com
customerservice@kolpin.com

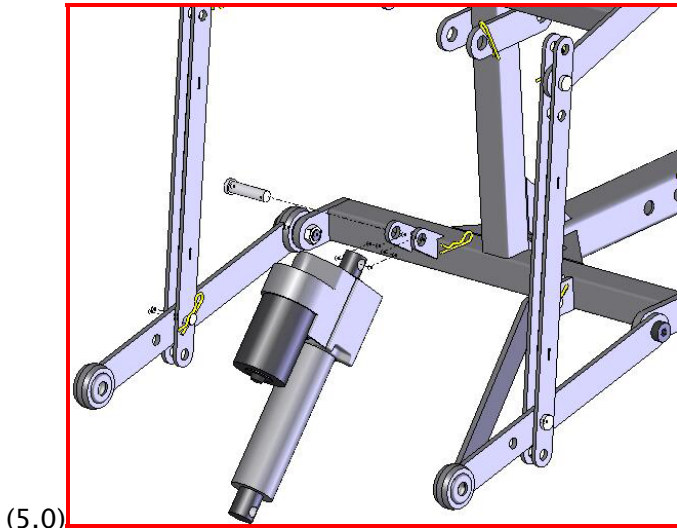
3. The Sway Bar Weldment is attached to the Main Tree Weldment by using (1) 5/8" x .50" Shoulder Bolt, (1) 1/2" Nylock Jam Nut, (2) 1/2" x 1.50" Pin and (2) R-Clip. Place (1) 5/8" Shoulder Bolt through the Sway Bar Weldment and then through the hole on the Main Tree Weldment. Attach using the 1/2" Nylock Jam Nut. Do Not Tighten Yet! Now put (1) 1/2" Pin through the other side of the Sway Bar and through the tabs on the Main Tree Weldment. Pin securely using (1) R-Clip. (See Picture 3.0 for reference.) The other 1/2" Pin and R-Clip is used to attach the Sway Bar Weldment to the Adjustable Vertical Link. (See Picture 3.1 for reference.)



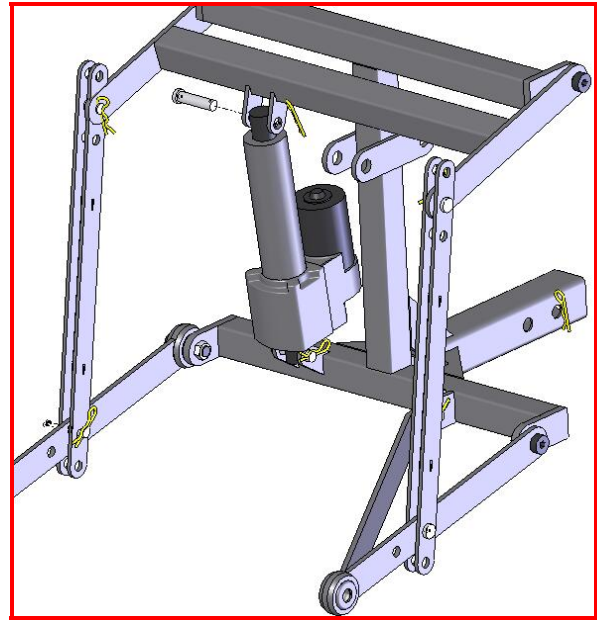
4. Next, you will need to attach the Ball Swivel Lift Arm to the Main Tree Weldment. To attach these two pieces together you will need the (1) 5/8" x 1.00" Shoulder Bolt, (1) 1/2" Nylock Jam Nut, (1) 1/2" Pin and (1) R-Clip. Place the 5/8" Shoulder Bolt through the Ball Swivel end that is farthest from the 2 holes in the Ball Swivel Lift arm. (See picture for reference) Now, run the bolt through the hole on the Main Tree Weldment. Secure with the 1/2" Nylock Jam Nut. Do not tighten yet! Next, put the pin through the Vertical Lift arm and through the matching hole on the opposite side. The vertical lift arm is separated to allow it to straddle the Lift Arms.



5. Now that the main components of the 3-point have been assembled, it is now time to put in the part that does the lifting for you! To put the Actuator in, all you need is (2) $\frac{1}{2}$ " x $2\frac{3}{8}$ " Pin and (2) R-Clips. Place the bottom of the Actuator in the Bottom Brackets, located near the center of the Main Tree Weldment. Pin in the Actuator using (1) $\frac{1}{2}$ " x 2.38" Pin and (1) R-Clip. (Picture 5.0) Then, swivel the Actuator up to the "Top Bracket" located on the Lift Arm Weldment and pin the Actuator using (1) $\frac{1}{2}$ " x 2.38" Pin and (1) R-Clip. (Picture 5.1) NOTE: You can twist the extension arm of the Actuator to raise it up so it is easier to pin together.

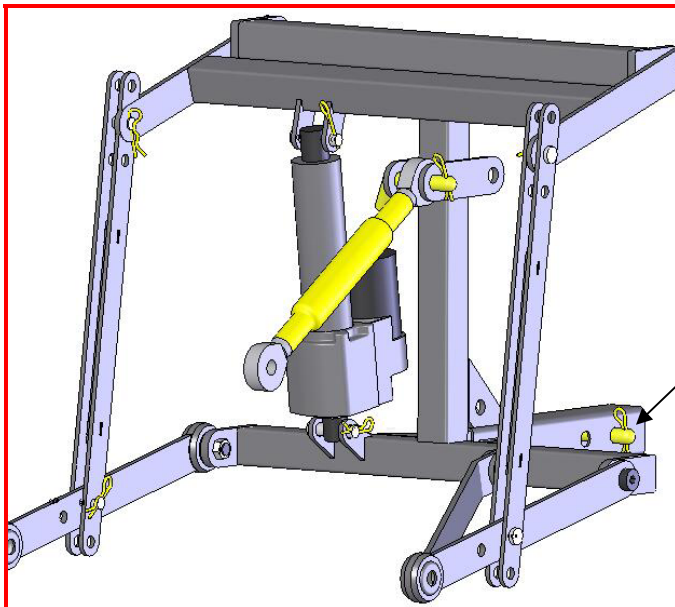


(5.0)



(5.1)

6. Lastly, all you need to do is connect the Category "0" Top Link. To do this you must use (1) $\frac{5}{8}$ " x 3.00" Bent Hitch Pin and (1) R-Clip. Place the Top Link between the brackets on the Main Tree Weldment as shown below and Pin securely using the Bent Hitch Pin and R-Clip.



(6.)

Extra Pin used to attach 3-Point to the ATV 2" Hitch.

7. The Extra Bent Hitch Pin is to attach the 3-Point System to the 2" Receiver Hitch on your ATV. As you can see in the picture above, the Pin is located in the 2" Tube.

Wire Harness Instructions:

BE SURE TO LOCATE WHICH POST IS SUPPOSED TO UTILIZE BATTERY HOOK UP AND WHICH IS THE AUXILIARY HOOK UP POST ENGRAVED ON BREAKER.

- LARGE DIAMETER RING TERMINALS.
- CONNECT **BROWN** TO NEGATIVE POLE ON BATTERY AND **RED** TO POSITIVE POLE ON BATTERY!

CONNECTS TO FEMALE END OF WIRE COMING OUT OF THE ACTUATOR.

BREAKER

WHITE CONNECTOR CONNECTS TO WHITE END OF THE HANDLE BAR ROCKER SWITCH.

1. Connect the Brown Wire to the Negative Pole on the ATV Battery.
2. On the 6" Red Pigtail, connect the Small Diameter Ring Terminal to the "BAT" side of the Breaker.
3. Connect the Small Diameter Ring Terminal on the Red Wire of the Main Harness to the "AUX" side of the Breaker.
4. Connect the Large Diameter Ring Terminal of the Red Wire to the Positive Pole on the ATV Battery.
5. Connect the 2 white connectors together. One is located on the Main Wire Harness, the other on the Rocker Switch Pigtail.
6. Attach the Rocker Switch to the Left Side Handle Bar of your ATV. The Harness comes with 2 pieces of different thickness of rubber strips to make up for the different diameter handlebars. Undo the turn knob on the Rocker Switch. Slip the Rocker Switch around your handle bar, utilizing the rubber strips if necessary, and retighten the Turn Knob. Be sure the Rocker Switch is held securely on your handle bars.
7. Be sure to leave enough of the Harness out of the Back of the Rocker Switch, so you are able to turn without pulling the wires out of the back of the switch.
8. Route the wire through your plastic however you prefer. Using zip ties (not included) you can "hide" a lot of the wire. Just be sure to keep the wire away from any potential hot spots by the motor or the exhaust.
9. The Black connectors mate together at the rear of the machine. The male end on the Wire Harness connects to the female end located on the wires on the Actuator.
10. Your Kolpin 3-Point Hitch should now be fully activated and ready for use.

Kolpin Outdoors, Inc.
205 N. Depot Street, Fox Lake, WI 53933
Phone #: (877) 9KOLPIN or (920) 928-6514
www.kolpinpowersports.com
customerservice@kolpin.com