

# UNIVERSAL TRASH CAN DUMPER - TCD-U-72-DC

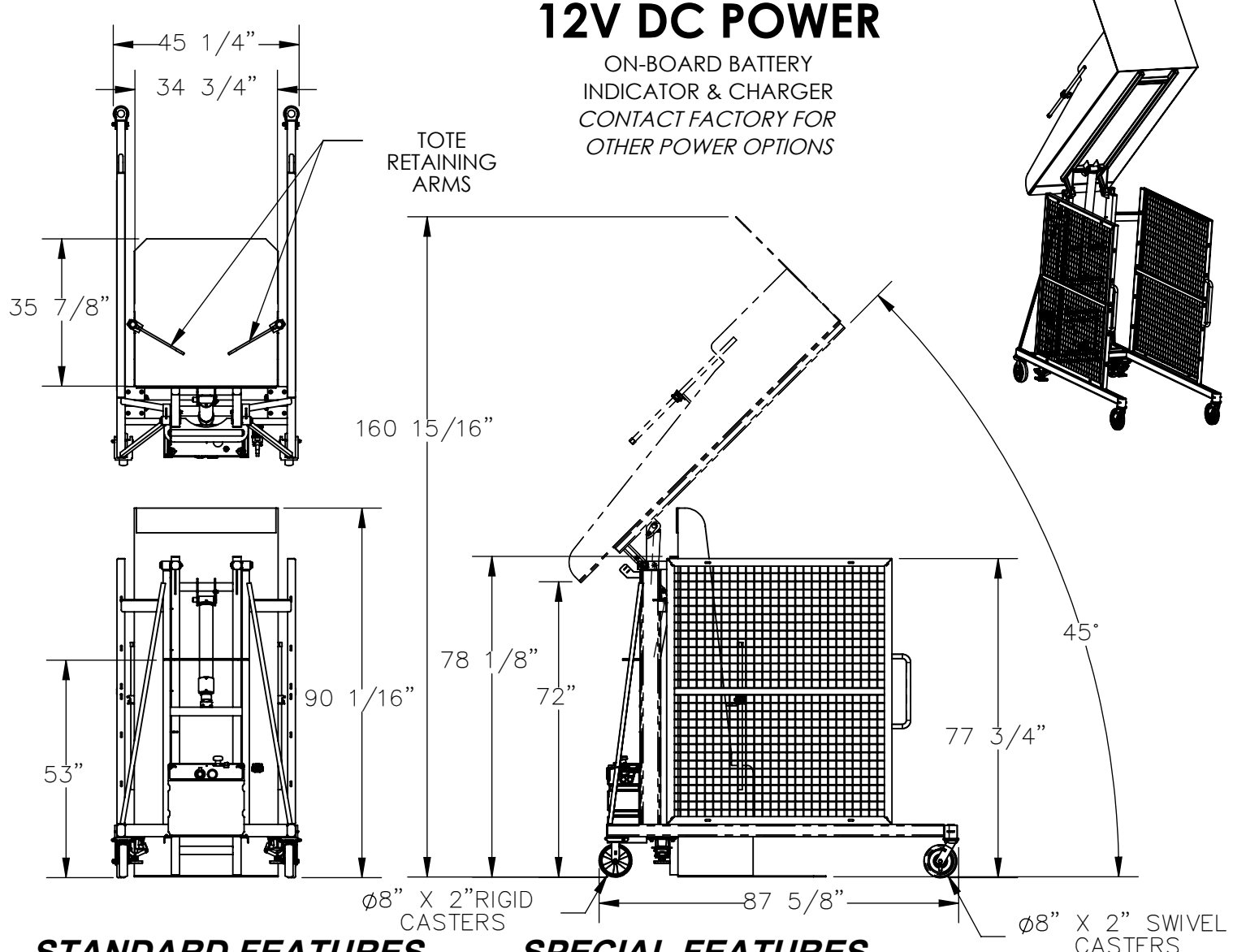
APPROX WEIGHT: 886.00 lbs.  
 DOES NOT INCLUDE WEIGHT OF POWER OR PACKAGING!!!

\*\*\*ANY ADDITIONS, DELETIONS, OR OMISSIONS MUST BE CORRECTED ON THIS DRAWING AS THIS DRAWING WILL BE CONSIDERED ALL INCLUSIVE\*\*\*

ALL GRAPHICS PROVIDED ARE FOR REFERENCE ONLY. IF CERTAIN DIMENSIONS ARE CRITICAL PLEASE VERIFY THOSE DIMENSIONS WITH YOUR SALESPERSON

## 12V DC POWER

ON-BOARD BATTERY  
 INDICATOR & CHARGER  
 CONTACT FACTORY FOR  
 OTHER POWER OPTIONS



### STANDARD FEATURES

- MODEL NUMBER: TCD-U-72-DC
- USABLE CHUTE WIDTH: 34 3/4"
- USABLE CHUTE LENGTH: 35-7/8"
- OVERALL LENGTH: 87-5/8"
- OVERALL WIDTH: 45 1/4"
- OVERALL HEIGHT: 90-1/16"
- OVERALL ROTATED HEIGHT: 160 15/16"
- MAXIMUM ROTATED ANGLE: 45°
- DUMP HEIGHT: 72"
- WORKS WITH TRASH CANS OF
  - 17 1/2" TO 34" WIDTH
  - 20 1/2" TO 35 7/8" LENGTH
  - 27" TO 50" HEIGHT
- UNIFORM CAPACITY IS 400 LBS
- CASTERS:
  - FRONT: 8" X 2" GFN SWIVEL
  - REAR: 8" X 2" GFN RIGID
- TWO ADJUSTABLE FLOOR LOCKS
- INTERNAL POWER UNIT: 12V DC
- HANDHELD PUSH BUTTON CONTROL, W/8ft. EXTENDED COIL CORD

### SPECIAL FEATURES

NONE

DIMENSION TOLERANCE ± 1/4"

FRAME: DURABLE LIQUID PAINT BLUE FINISH  
 CHUTE: DURABLE BAKED IN POWDER COATED YELLOW FINISH

<b>A P P R O V A L</b>	I, THE UNDERSIGNED, AGREE THAT THE PRODUCT AS REPRESENTED SATISFIES DESIGN AND DIMENSION REQUIREMENTS. I ALSO ACKNOWLEDGE MY DUTY TO CONFIRM PRODUCT AND INSTALLATION COMPLIANCE WITH ALL APPLICABLE FEDERAL, STATE AND LOCAL REGULATIONS AND STANDARDS.	
	<b>UNITS REQUIRING APPROVAL DRAWINGS OR MODIFIED ARE NON-RETURNABLE</b>	
	[ ] As drawn      [ ] As marked	
	Signed: _____	Date: _____
Printed Name: _____		
<i>LEAD TIME WILL START UPON RECEIPT OF SIGNED APPROVAL DRAWING</i>		

DISTRIBUTOR'S NAME: <b>VESTIL MANUFACTURING</b>		P.O.# X
DRAWN BY: <b>SJA</b>		W.O.# X
DATE: <b>7/23/2016</b>		SALES: X
REFERENCE: X		SCALE: 1:38
QUOTED LEAD TIME: X		QUOTE # X
		FILE NAME: 34-007-035