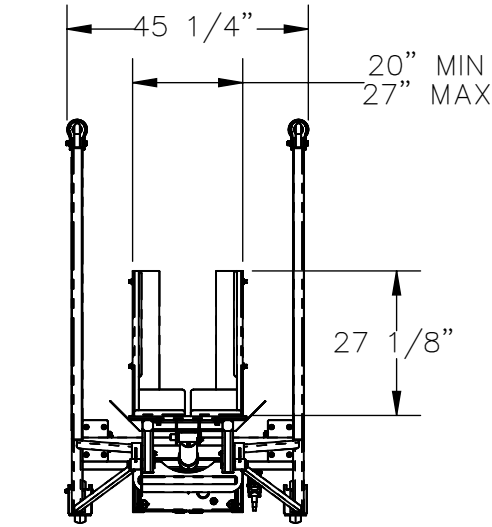


ELECTRIC HYDRAULIC TRASH CAN DUMPER - TCD-M-60-DC

APPROX WEIGHT: 645.38 lbs.
 DOES NOT INCLUDE WEIGHT OF POWER OR PACKAGING!!!

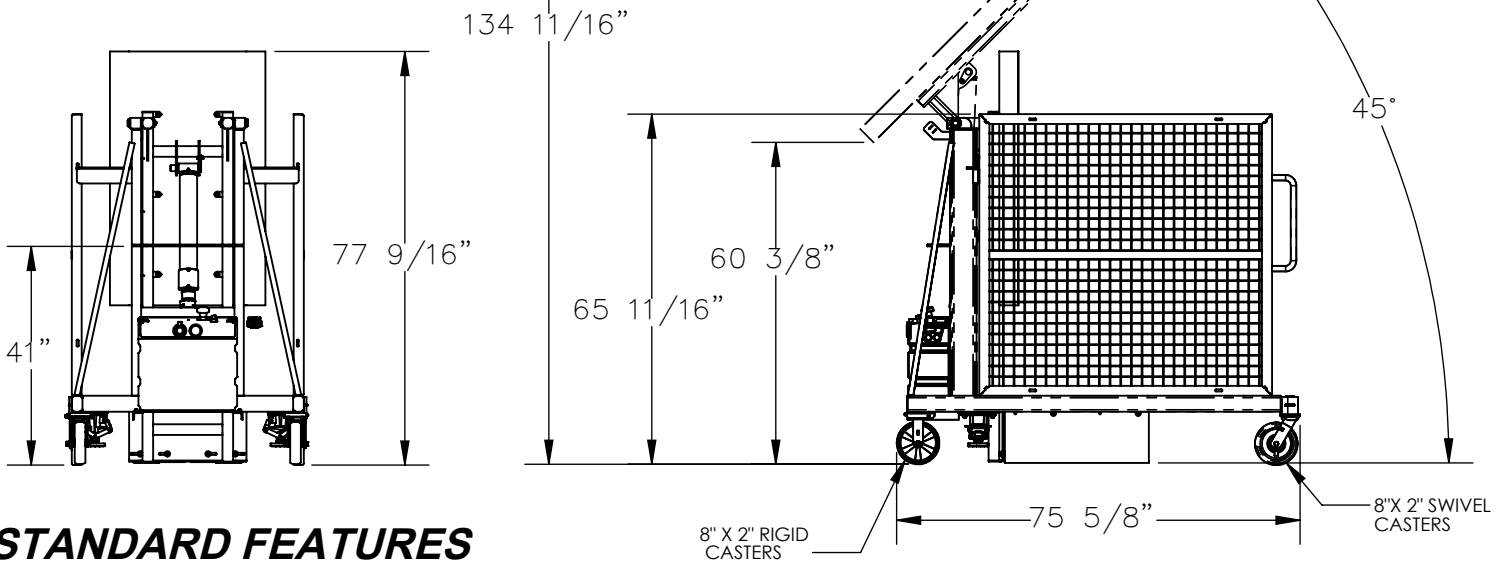
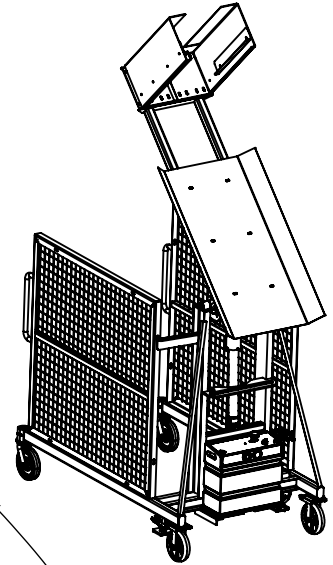
ANY ADDITIONS, DELETIONS, OR OMISSIONS MUST BE CORRECTED ON THIS DRAWING AS THIS DRAWING WILL BE CONSIDERED ALL INCLUSIVE

ALL GRAPHICS PROVIDED ARE FOR REFERENCE ONLY. IF CERTAIN DIMENSIONS ARE CRITICAL PLEASE VERIFY THOSE DIMENSIONS WITH YOUR SALESPERSON



12V DC POWER

ON-BOARD BATTERY
 INDICATOR & CHARGER
 CONTACT FACTORY FOR
 OTHER POWER OPTIONS



STANDARD FEATURES

- MODEL NUMBER: TCD-M-60-DC
- USABLE CHUTE WIDTH: 20" MIN TO 27" MAX
- USAGE CHUTE LENGTH: 27 1/8"
- OVERALL LENGTH: 75 5/8"
- OVERALL WIDTH: 45 1/4"
- OVERALL HEIGHT: 77 9/16"
- OVERALL ROTATED HEIGHT: 134 11/16"
- MAXIMUM ROTATED ANGLE: 45°
- DUMP HEIGHT: 60 3/8"
- WORKS WITH MODEL# TH-32/64/95
- UNIFORM CAPACITY IS 400 LBS
- CASTERS:
 - FRONT: 8" X 2" GFN SWIVEL
 - REAR: 8" X 2" GFN RIGID
- TWO ADJUSTABLE FLOOR LOCKS
- INTERNAL POWER UNIT: 12 V DC WITH ON-BOARD CHARGER
- HANDHELD PUSH BUTTON CONTROL, W/8ft. EXTENDED COIL CORD

DIMENSION TOLERANCE ± 1/4"

- FRAME: DURABLE LIQUID PAINT BLUE FINISH
- CHUTE: DURABLE BAKED IN POWDER COATED YELLOW FINISH

SPECIAL FEATURES

NONE

APPROVAL

I, THE UNDERSIGNED, AGREE THAT THE PRODUCT AS REPRESENTED SATISFIES DESIGN AND DIMENSION REQUIREMENTS. I ALSO ACKNOWLEDGE MY DUTY TO CONFIRM PRODUCT AND INSTALLATION COMPLIANCE WITH ALL APPLICABLE FEDERAL, STATE AND LOCAL REGULATIONS AND STANDARDS.
UNITS REQUIRING APPROVAL DRAWINGS OR MODIFIED ARE NON-RETURNABLE

[] As drawn [] As marked

Signed: _____ Date: _____

Printed Name: _____

LEAD TIME WILL START UPON RECEIPT OF SIGNED APPROVAL DRAWING

DISTRIBUTOR'S NAME:		P.O.#
VESTIL MANUFACTURING		X
DRAWN BY: SJA		DATE: 7/28/2016
DATE: 7/28/2016		SALES: X
REFERENCE: X	SCALE: 1:36	FILE NAME:
QUOTED LEAD TIME: X	QUOTE # X	34-007-029