

UNIVERSAL TRASHCAN DUMPER - TCD-M-72-DC

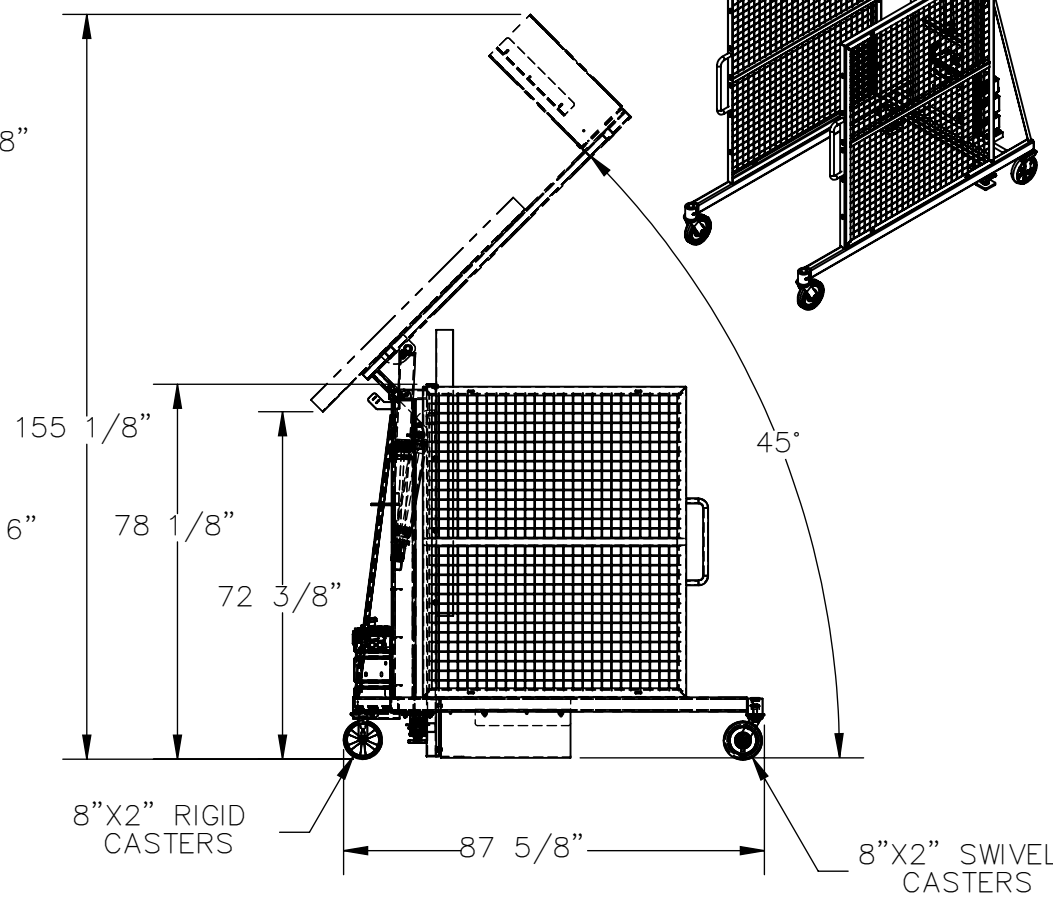
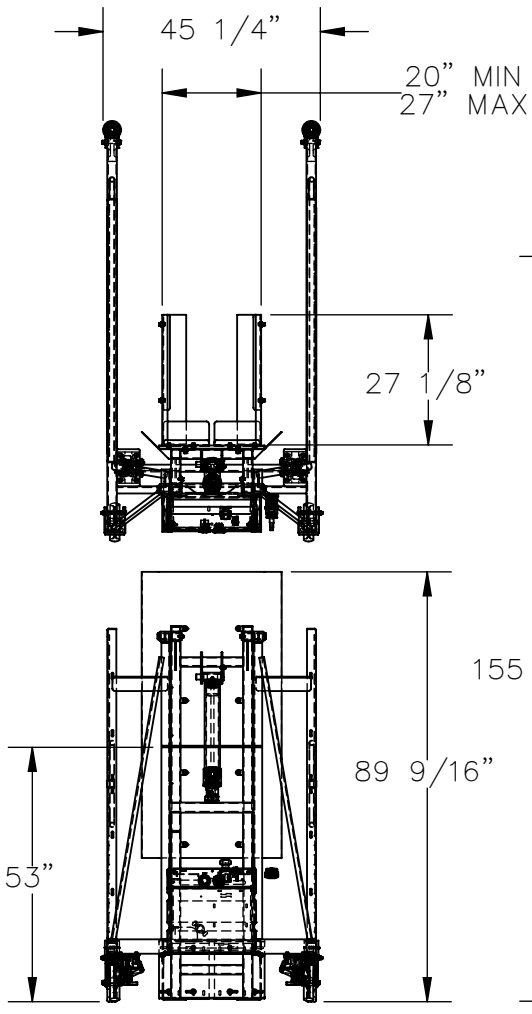
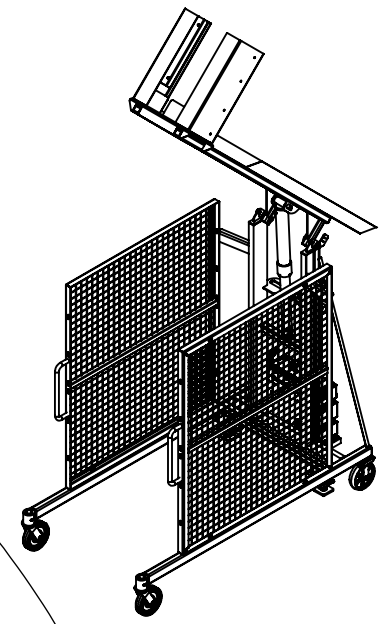
APPROX WEIGHT: 703.16 lbs.
DOES NOT INCLUDE WEIGHT OF POWER OR PACKAGING!!!

ANY ADDITIONS, DELETIONS, OR OMISSIONS MUST BE CORRECTED ON THIS DRAWING AS THIS DRAWING WILL BE CONSIDERED ALL INCLUSIVE

ALL GRAPHICS PROVIDED ARE FOR REFERENCE ONLY. IF CERTAIN DIMENSIONS ARE CRITICAL PLEASE VERIFY THOSE DIMENSIONS WITH YOUR SALESPERSON

12V DC POWER

ON-BOARD BATTERY
INDICATOR & CHARGER
CONTACT FACTORY FOR
OTHER POWER OPTIONS



STANDARD FEATURES

- MODEL NUMBER: TCD-M-72-DC
- USABLE CHUTE WIDTH: 20" MIN TO 27" MAX
- USABLE CHUTE LENGTH: 27 1/8"
- OVERALL LENGTH: 87 5/8"
- OVERALL WIDTH: 45 1/4"
- OVERALL HEIGHT: 89 9/16"
- OVERALL ROTATED HEIGHT: 155 1/8"
- MAXIMUM ROTATED ANGLE: 45°
- DUMP HEIGHT: 72 3/8"
- WORKS WITH MODEL# TH-32/64/95
- UNIFORM CAPACITY IS 400 LBS
- CASTERS:
 - FRONT: 8" X 2" GFN SWIVEL
 - REAR: 8" X 2" GFN RIGID
- TWO ADJUSTABLE FLOOR LOCKS
- INTERNAL POWER UNIT: 12 V DC WITH ON-BOARD CHARGER
- HANDHELD PUSH BUTTON CONTROL, W/8ft. EXTENDED COIL CORD

FRAME: DURABLE LIQUID PAINT BLUE FINISH
CHUTE: DURABLE BAKED IN POWDER COATED YELLOW FINISH

SPECIAL FEATURES

NONE

DIMENSION TOLERANCE ± 1/4"

A P P R O V A L	I, THE UNDERSIGNED, AGREE THAT THE PRODUCT AS REPRESENTED SATISFIES DESIGN AND DIMENSION REQUIREMENTS. I ALSO ACKNOWLEDGE MY DUTY TO CONFIRM PRODUCT AND INSTALLATION COMPLIANCE WITH ALL APPLICABLE FEDERAL, STATE AND LOCAL REGULATIONS AND STANDARDS.	
	UNITS REQUIRING APPROVAL DRAWINGS OR MODIFIED ARE NON-RETURNABLE	
	[] As drawn [] As marked	
Signed: _____ Date: _____		
Printed Name: _____		
<i>LEAD TIME WILL START UPON RECEIPT OF SIGNED APPROVAL DRAWING</i>		

DISTRIBUTOR'S NAME: VESTIL MANUFACTURING		P.O.# X
DRAWN BY: SJA		W.O.# X
DATE: 07/28/2016		SALES: X
REFERENCE: X		SCALE: 1:40
QUOTED LEAD TIME: X		QUOTE # X
		FILE NAME: 34-007-031