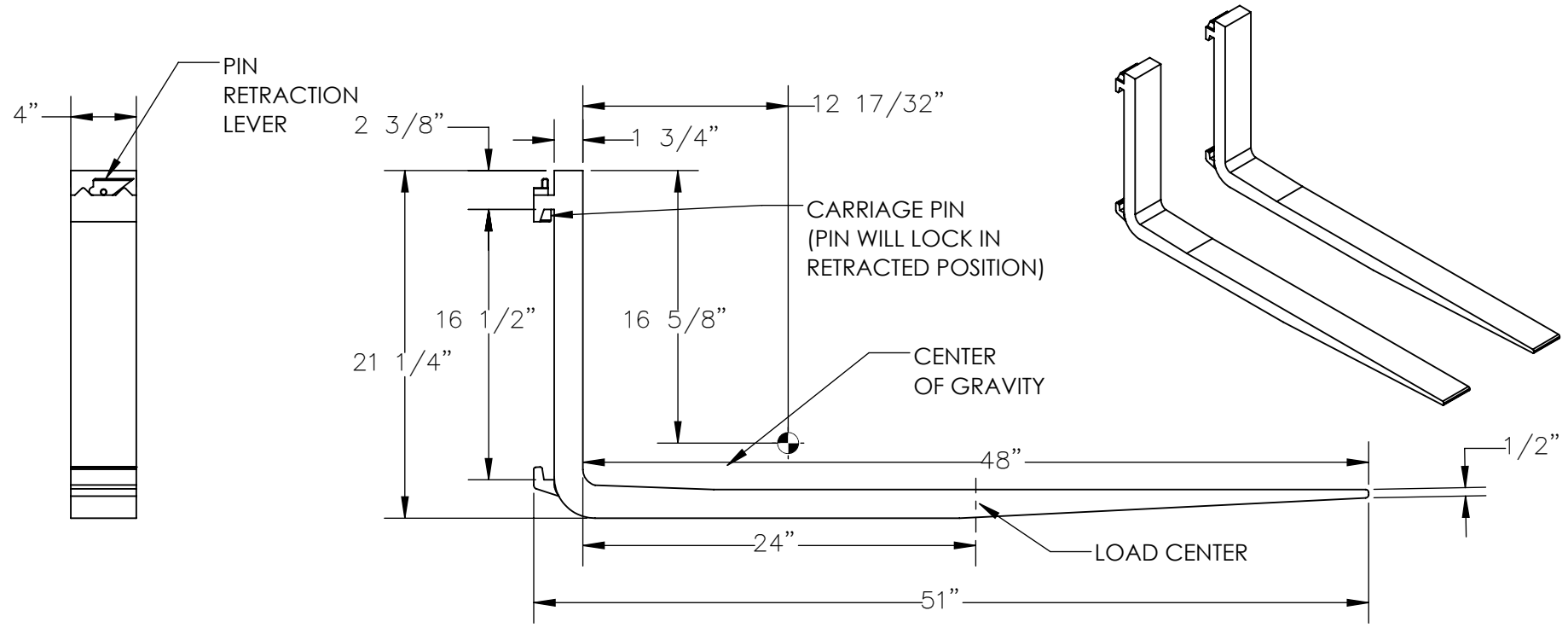


FORGED STEEL FORK WITH CARRIAGE PIN - F4-1.75-48-CPL

APPROX WEIGHT: 123 lbs.
DOES NOT INCLUDE WEIGHT OF POWER OR PACKAGING!!!

*** ANY ADDITIONS, DELETIONS, OR OMISSIONS MUST BE CORRECTED ON THIS DRAWING AS THIS DRAWING WILL BE CONSIDERED ALL INCLUSIVE ***

ALL GRAPHICS PROVIDED ARE FOR REFERENCE ONLY. IF CERTAIN DIMENSIONS ARE CRITICAL PLEASE VERIFY THOSE DIMENSIONS WITH YOUR SALESPERSON



DIMENSION TOLERANCE ± 1/4"

STANDARD FEATURES

- MODEL NUMBER IS F4-1.75-48-CPL
- FORK WIDTH: 4"
- DESIGNED FOR CLASS II CARRIAGE MOUNTING
- OVERALL LENGTH: 51"
- OVERALL HEIGHT: 21 1/4"
- USABLE LENGTH: 48"
- SOLID STEEL CONSTRUCTION
- DURABLE LIQUID PAINT BLACK FINISH
- CAPACITY EVENLY DISTRIBUTED = 5,000 LBS. @24" LOAD CENTER PER PAIR

APPROX. WEIGHT / LOST LOAD = 123 LBS.
MINIMUM EFFECTIVE THICKNESS = 0
VERTICAL CENTER OF GRAVITY = 16 5/8"
HORIZONTAL CENTER OF GRAVITY = 12 17/32"

NEVER EXCEED LOAD CENTER RATING PER FORKTRUCK MANUFACTURERS GUIDELINES.
DO NOT USE THIS FORK TRUCK ATTACHMENT IF LOAD WILL EXCEED FORK TRUCK MANUFACTURER'S LOAD CENTER RATING

APPROVAL	I, THE UNDERSIGNED, AGREE THAT THE PRODUCT AS REPRESENTED SATISFIES DESIGN AND DIMENSION REQUIREMENTS. I ALSO ACKNOWLEDGE MY DUTY TO CONFIRM PRODUCT AND INSTALLATION COMPLIANCE WITH ALL APPLICABLE FEDERAL, STATE AND LOCAL REGULATIONS AND STANDARDS.	
	UNITS REQUIRING APPROVAL DRAWINGS OR MODIFIED ARE NON-RETURNABLE	
	[] As drawn [] As marked	
Signed: _____		Date: _____
Printed Name: _____		
LEAD TIME WILL START UPON RECEIPT OF SIGNED APPROVAL DRAWING		

DISTRIBUTOR'S NAME:		P.O.#
VESTIL MANUFACTURING		X
		W.O.#
		X
DRAWN BY:	DATE:	SALES:
X	XX/XX/XX	X
REFERENCE:	SCALE:	FILE NAME:
X	1:10	
QUOTED LEAD TIME:	QUOTE #	
X	X	08-007-531