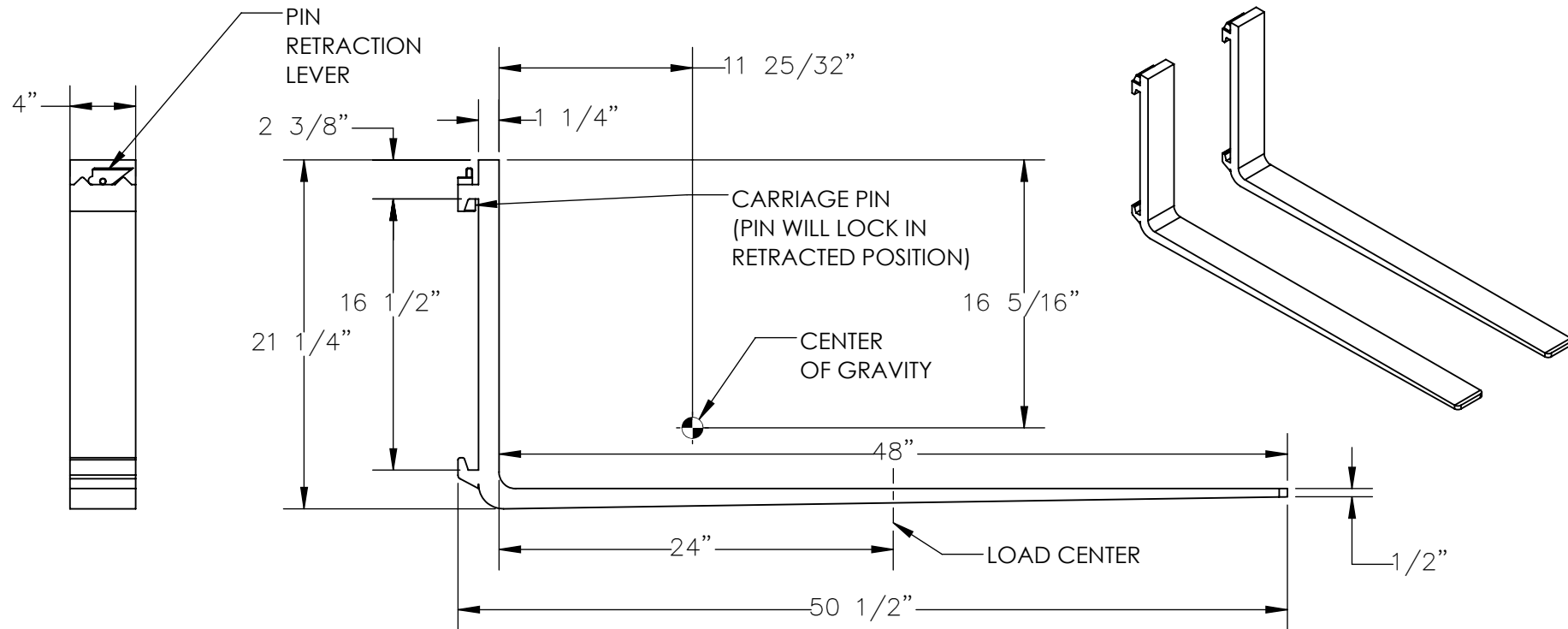


FORGED STEEL FORK WITH CARRIAGE PIN - F4-1.25-48-CPL

APPROX WEIGHT: 80 lbs.
 DOES NOT INCLUDE WEIGHT OF POWER OR PACKAGING!!!

*** ANY ADDITIONS, DELETIONS, OR OMISSIONS MUST BE CORRECTED ON THIS DRAWING AS THIS DRAWING WILL BE CONSIDERED ALL INCLUSIVE ***

ALL GRAPHICS PROVIDED ARE FOR REFERENCE ONLY. IF CERTAIN DIMENSIONS ARE CRITICAL PLEASE VERIFY THOSE DIMENSIONS WITH YOUR SALESPERSON



DIMENSION TOLERANCE ± 1/4"

STANDARD FEATURES

MODEL NUMBER IS F4-1.25-48-CPL
 FORK WIDTH: 4"
 DESIGNED FOR CLASS II CARRIAGE MOUNTING
 OVERALL LENGTH: 50 1/2"
 OVERALL HEIGHT: 21 1/4"
 USABLE LENGTH: 48"
 SOLID STEEL CONSTRUCTION
 DURABLE LIQUID PAINT BLACK FINISH
 CAPACITY EVENLY DISTRIBUTED =
 3,000 LBS. @24" LOAD CENTER PER PAIR

APPROX. WEIGHT / LOST LOAD = 80 LBS.
 MINIMUM EFFECTIVE THICKNESS = 0
 VERTICAL CENTER OF GRAVITY = 16 5/16"
 HORIZONTAL CENTER OF GRAVITY = 11 25/32"

NEVER EXCEED LOAD CENTER
 RATING PER FORKTRUCK
 MANUFACTURERS GUIDELINES.
 DO NOT USE THIS FORK TRUCK
 ATTACHMENT IF LOAD WILL EXCEED
 FORK TRUCK MANUFACTURER'S
 LOAD CENTER RATING

APPROVAL	I, THE UNDERSIGNED, AGREE THAT THE PRODUCT AS REPRESENTED SATISFIES DESIGN AND DIMENSION REQUIREMENTS. I ALSO ACKNOWLEDGE MY DUTY TO CONFIRM PRODUCT AND INSTALLATION COMPLIANCE WITH ALL APPLICABLE FEDERAL, STATE AND LOCAL REGULATIONS AND STANDARDS.	
	UNITS REQUIRING APPROVAL DRAWINGS OR MODIFIED ARE NON-RETURNABLE	
	[] As drawn	[] As marked
	Signed: _____	Date: _____
	Printed Name: _____	
	LEAD TIME WILL START UPON RECEIPT OF SIGNED APPROVAL DRAWING	

DISTRIBUTOR'S NAME:		P.O.#
VESTIL MANUFACTURING		X
		W.O.#
		X
DRAWN BY:	DATE:	SALES:
X	XX/XX/XX	X
REFERENCE:	SCALE:	FILE NAME:
X	1:10	
QUOTED LEAD TIME:	QUOTE #	
X	X	08-007-524