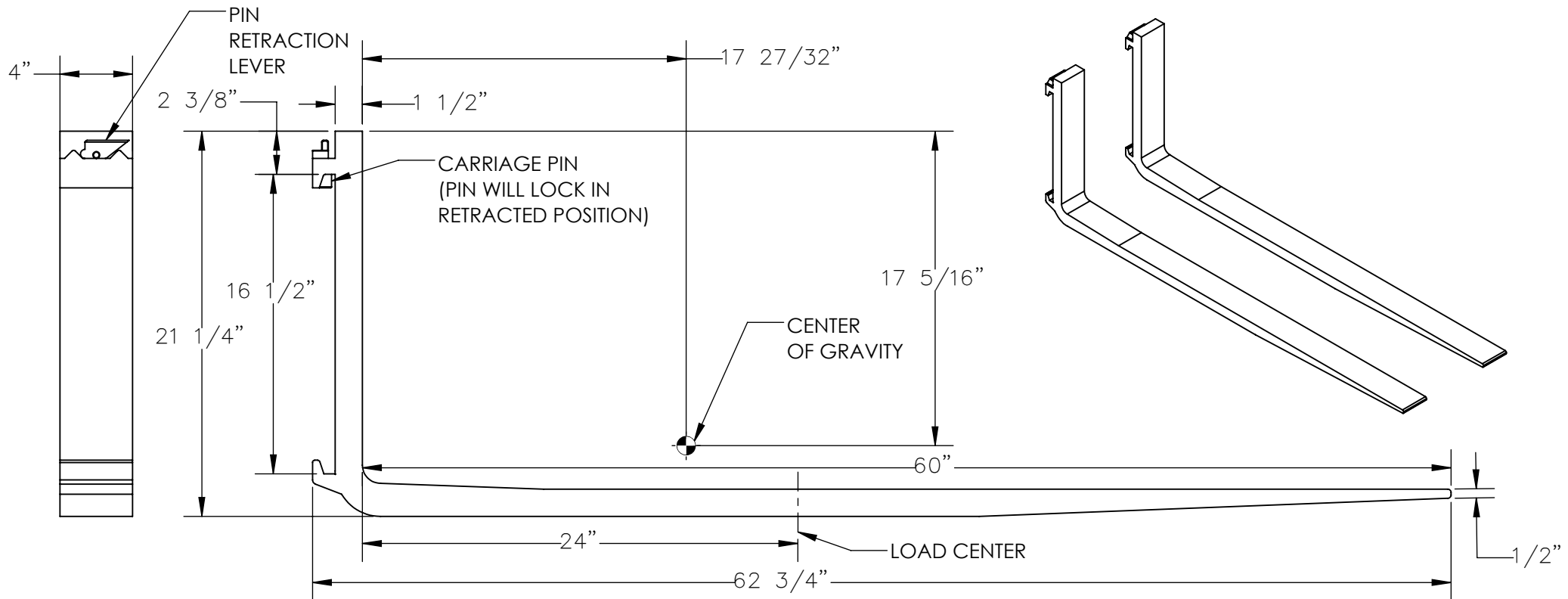


FORGED STEEL FORK WITH CARRIAGE PIN - F4-1.50-60-CPL

APPROX WEIGHT: 128 lbs.
 DOES NOT INCLUDE WEIGHT OF POWER OR PACKAGING!!!

*** ANY ADDITIONS, DELETIONS, OR OMISSIONS MUST BE CORRECTED ON THIS DRAWING AS THIS DRAWING WILL BE CONSIDERED ALL INCLUSIVE ***

ALL GRAPHICS PROVIDED ARE FOR REFERENCE ONLY. IF CERTAIN DIMENSIONS ARE CRITICAL PLEASE VERIFY THOSE DIMENSIONS WITH YOUR SALESPERSON



STANDARD FEATURES

MODEL NUMBER IS F4-1.50-60-CPL
 FORK WIDTH: 4"
 DESIGNED FOR CLASS II CARRIAGE MOUNTING
 OVERALL LENGTH: 50 3/4"
 OVERALL HEIGHT: 21 1/4"
 USABLE LENGTH: 60"
 SOLID STEEL CONSTRUCTION
 DURABLE LIQUID PAINT BLACK FINISH
 CAPACITY EVENLY DISTRIBUTED =
 4,000 LBS. @24" LOAD CENTER PER PAIR

APPROX. WEIGHT / LOST LOAD = 128 LBS.
 MINIMUM EFFECTIVE THICKNESS = 0
 VERTICAL CENTER OF GRAVITY = 17 5/16"
 HORIZONTAL CENTER OF GRAVITY = 17 27/32"

NEVER EXCEED LOAD CENTER
 RATING PER FORKTRUCK
 MANUFACTURERS GUIDELINES.
 DO NOT USE THIS FORK TRUCK
 ATTACHMENT IF LOAD WILL EXCEED
 FORK TRUCK MANUFACTURER'S
 LOAD CENTER RATING

DIMENSION TOLERANCE ± 1/4"

APPROVAL	I, THE UNDERSIGNED, AGREE THAT THE PRODUCT AS REPRESENTED SATISFIES DESIGN AND DIMENSION REQUIREMENTS. I ALSO ACKNOWLEDGE MY DUTY TO CONFIRM PRODUCT AND INSTALLATION COMPLIANCE WITH ALL APPLICABLE FEDERAL, STATE AND LOCAL REGULATIONS AND STANDARDS.	
	UNITS REQUIRING APPROVAL DRAWINGS OR MODIFIED ARE NON-RETURNABLE	
	[] As drawn [] As marked	
	Signed: _____	Date: _____
	Printed Name: _____	
LEAD TIME WILL START UPON RECEIPT OF SIGNED APPROVAL DRAWING		

DISTRIBUTOR'S NAME:		P.O.#
VESTIL MANUFACTURING		X
		W.O.#
DRAWN BY: X		X
DATE: XX/XX/XX		SALES: X
REFERENCE: X	SCALE: 1:8	FILE NAME:
QUOTED LEAD TIME: X	QUOTE # X	08-007-528