

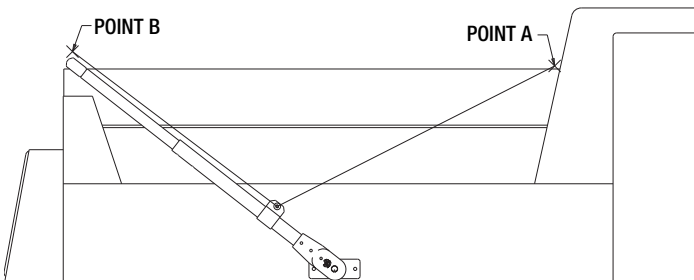
Installation Instructions

5540000 Tension Bow

NOTE: Tension Bow requires a tarp kit to be preinstalled.

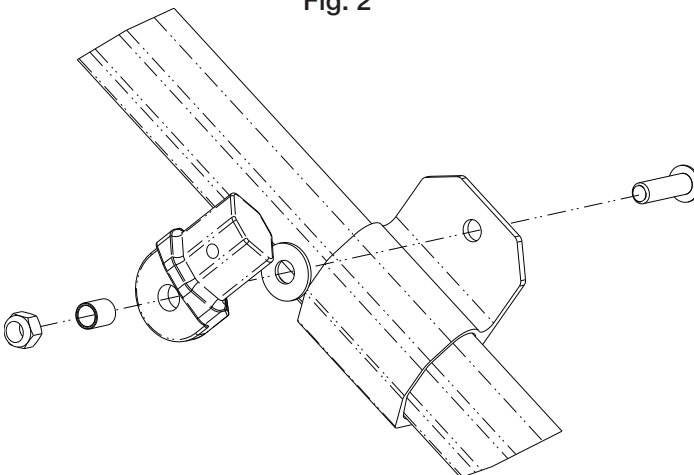
1. Remove the Rear Bow Tube and slide the Pivot Mounts onto the side arms. Make sure the flat side is closest to the truck's body.
2. Position the Pivot Mounts and snug in place using the included set screws. Tighten just enough so they hold the Pivot Mount in position. They will be adjusted later.
3. Measure from the pivot bolt hole to Point A and from the pivot bolt hole to Point B. Reposition the Pivot Mount so that these measurements are the same and tighten. (see Fig. 1)

Fig. 1



4. Position the Pivot Mount on the other side in the same spot and tighten.
5. Using the included hardware, install the Pivots to the Pivot Mounts. (See Fig. 2)

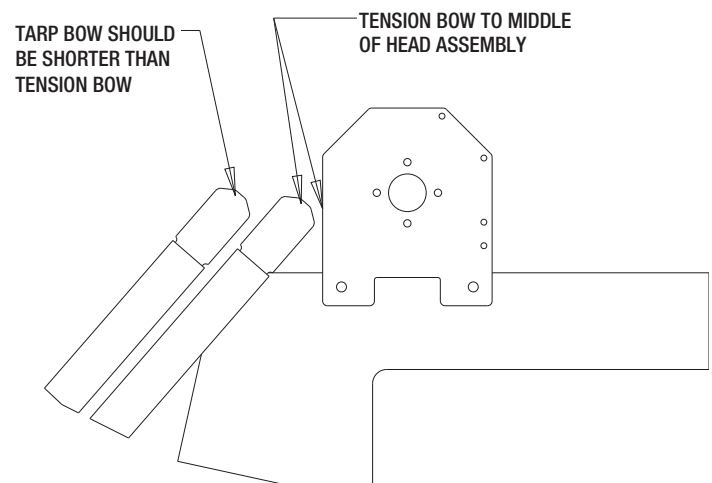
Fig. 2



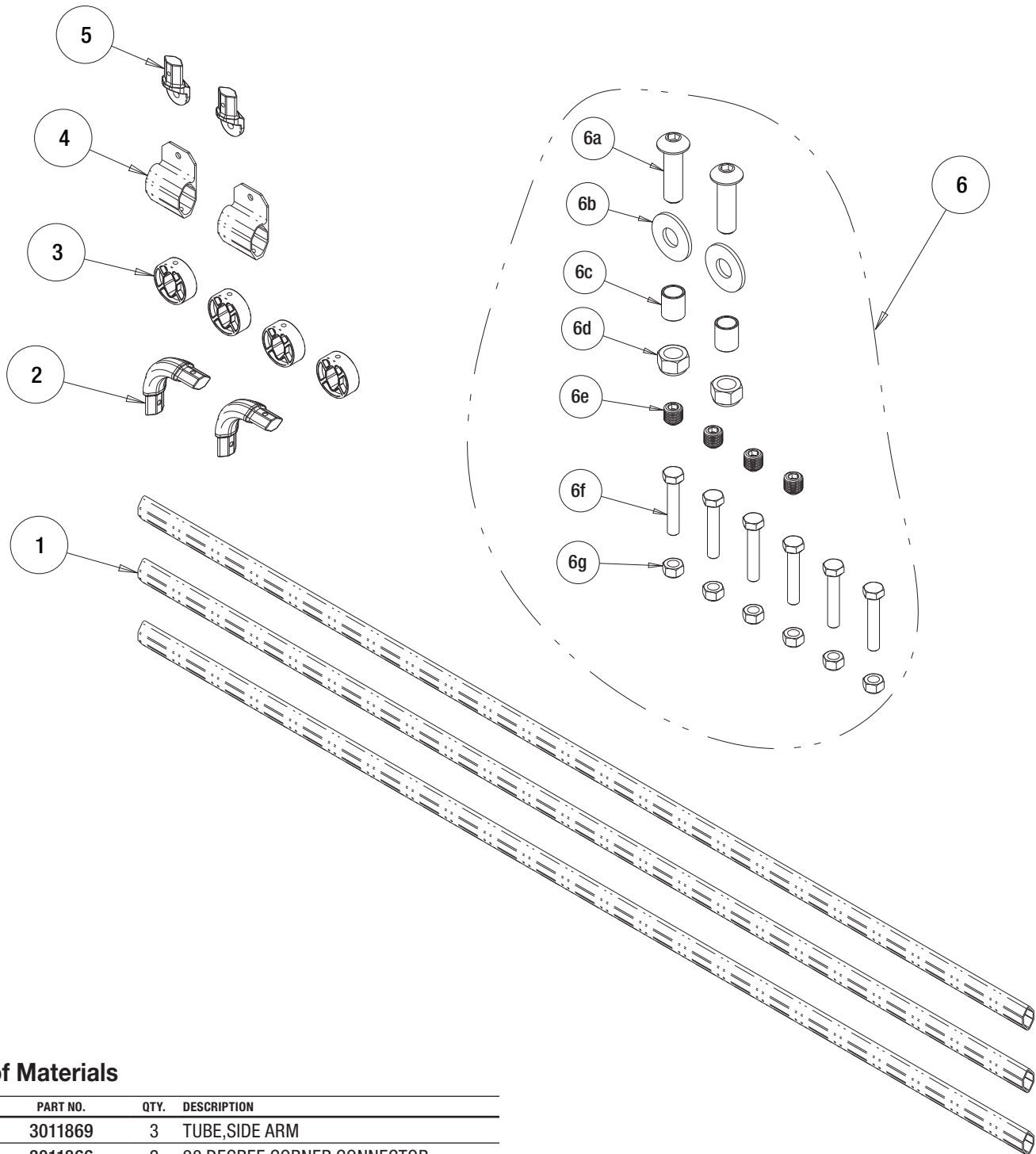
kit in photo shown with optional 30° connectors Part No. 3011868

6. Install the Arms to the Pivots and cut to length at the end of the existing Side Arm.
7. Install the bumpers to the Side Arms then the 90 degree Corner Connectors
8. Measure the distance between the flanges of the 90 degree Corner Connectors and cut the Crossbar to this length
9. Drill mounting holes in proper positions on Crossbar, install bumpers then install Crossbar to the 90 degree Corner Connectors.
10. Check the fit by moving the Tension Bow and existing Rear Bow against the Cab Guard. The Tension Bow should come to the middle of the Head Assembly and the Rear Bow should be shorter. (See Fig. 3) Adjust components as needed until both sides are the same and fit as described.

Fig. 3



11. Reinstall Tarp, confirm all hardware is tight and test run the kit a few times to verify function. Make adjustments if necessary.



Bill of Materials

ITEM	PART NO.	QTY.	DESCRIPTION
1	3011869	3	TUBE, SIDE ARM
2	3011866	2	90 DEGREE CORNER CONNECTOR
3	3012786	4	BUMPER
4	3033200	2	PIVOT MOUNT
5	3033201	2	PIVOT
6	3033203	1	HARDWARE BAG
6a	3033205	2	SCREW, 1/2"-13 X 1-3/4 BTN HD
6b	FWF050138014	2	1/2" FLAT WASHER
6c	3005937	2	BUSHING
6d	FNE050013053	2	NUT, NYLON LOCKING, 1/2"-13
6e	3033773	4	SET SCREW, 1/2"-20 X 1/2
6f	FCS031018175	6	SCREW, 5/16"-18 X 1-3/4
6g	FNE031018034	6	NUT, NYLON LOCKING, 5/16"-18

WARRANTY

Buyers Products Co. warrants all truck/trailer hardware manufactured or distributed by it, to be free from defects in material and workmanship for a period of one year from date of shipment. Parts must be properly installed and used under normal conditions. Any product which has been altered, including modification, misuse, accident or lack of maintenance will not be considered under warranty. Normal wear is excluded. The sole responsibility of Buyers Products Co. under this warranty is limited to repairing or replacing any part or parts which are returned, prepaid, and are found to be defective by Buyers Products Co. Authorization from Buyers Products Co. must be obtained before returning any part. No charges for transportation or labor performed on Buyers' products will be allowed under this warranty.