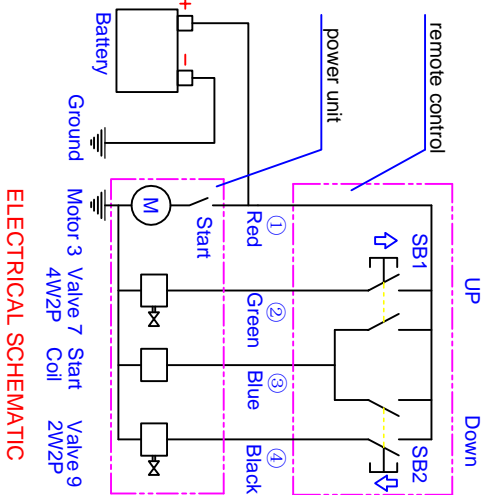
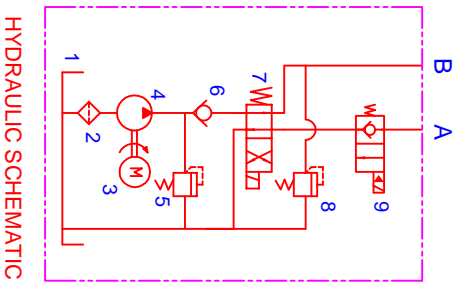


Mark ports and R/Vs in 4.3mm height fonts



11	Central Manifold	LBZ-T61KK-1	Aluminium
10	Remote Control	RCA-2B4L6M-H	6 Meters long
9	Solenoid Valve	LSV-08-2NCP-5B	2-Way,2-Position,10VDC
8	Low Relief valve	RV-3/4-B	1500PSI
7	Solenoid Valve	LSV2-08-4CO-5B	4-Way,2-Position,10VDC
6	Check valve	ICV2000-G14	Max 5000PSI
5	System Relief valve	RV-3/4-A	Preset at 3200 PSI
4	Gear pump	CBK-F2.1F	2.1cc/r
3	Motor	DM11-1AWU-3BC5R-B	12VDC,2KW,S3 duty
2	Suction Filter	YBZ-GLQ-G3/8-Ø62.5	150µm
1	Tank	KR13W	Steel,Black,3L Usable, Horizontal

Technical data

Designed by: \_\_\_\_\_  
 Checked by: \_\_\_\_\_  
 Reviewed by: \_\_\_\_\_  
 Approved by: \_\_\_\_\_

Name: Hydraulic Power Unit  
 P/N: YBZ5-F2.1A1A61WUATT2  
 Part P/N: \_\_\_\_\_  
 Rev.: O