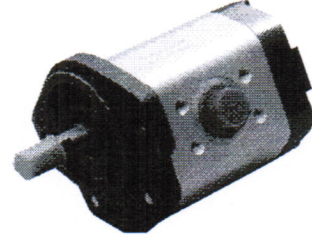


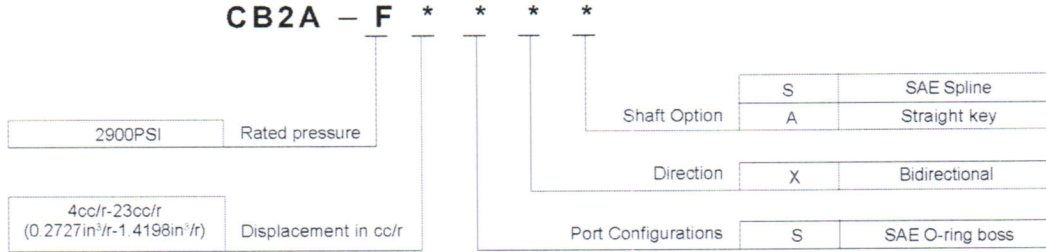
CB2A (GROUP 2) BI-DIRECTIONAL PUMPS

General Description

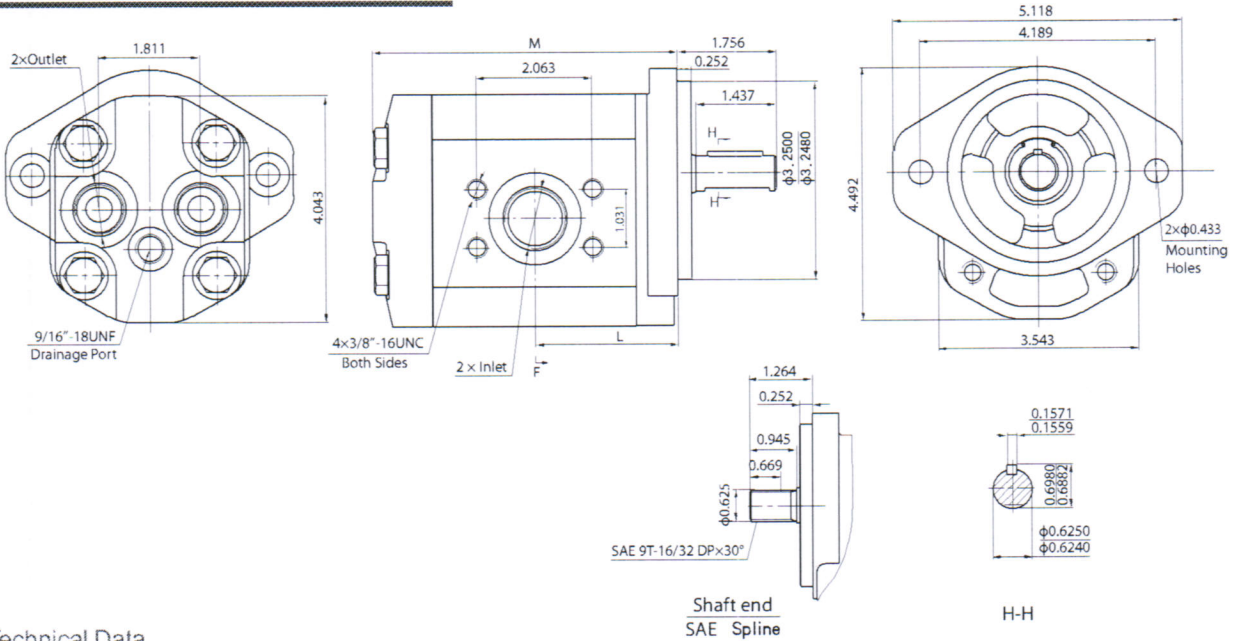
The CB2A Bi-directional gear pump consists of a gear pair supported by two aluminum bearing blocks, a housing, front cover and rear cover. The axial clearance can be automatically compensated by the bearing blocks. The CB2A pump features are simple structure, high mechanical and volumetric efficiency, low noise, high reliability, as well as low weight/power ratio. The pump can work in both cw and ccw directions. It is suitable for bidirectional hydraulic systems.



Order Code



Outline Dimension



Technical Data

Model	Displacement (in ³ /r)	Pressure			Speed		Dimension					
		P1 PSI	P2 PSI	P3 PSI	Rated rpm	Max rpm	L in	M in	Inlet	Outlet		
CB2A-F4*X*	0.2727	2900	3625	4060	2000	4000	1.795	4.035	SAE port 1 1/8-12UN	SAE port 1/2-14UNF		
CB2A-F6*X*	0.3887						1.850	4.154				
CB2A-F7*X*	0.4295						1.874	4.193				
CB2A-F9*X*	0.5827						1.953	4.308				
CB2A-F11*X*	0.7010						2.012	4.469				
CB2A-F14*X*	0.8566						1500	3200			2.091	4.626
CB2A-F15*X*	0.9713							2800			2.150	4.744
CB2A-F17*X*	1.0836	2500	2.209	4.862								
CB2A-F21*X*	1.2855	2200	2.307	5.059								
CB2A-F23*X*	1.4198	2610	2900	3190	2000	2.386	5.217					