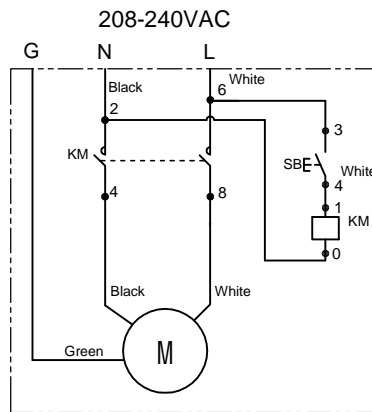
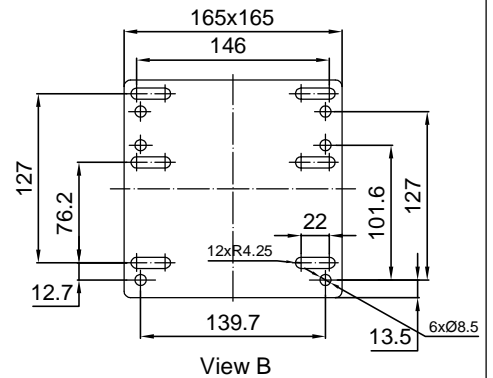


Hydraulic Schematic



Electric Schematic



View B

Notes:

1. Start button(SB)--YW1B-M1E10(UL).
2. Relay(KM)--HLR6100-2ATNBCF(208-240V UL).

10	Throttle valve	YBZ-E2D311/1-11	
9	Manifold	LBZ-T1KK-1	Aluminium
8	Release Valve	YBZ-E2D311/1-02	Manual operated
7	Buffer Valve	YBZ-E2D311/1-05A	
6	Relief Valve	LHRV-08-42	2900PSI(+/-100PSI)
5	Check Valve	YBZ-E2D311/1-03	
4	Motor	AM61-3HAM-3BA4-R	208-240V, 1PH, 50/60Hz, 3HP 2850/3450rpm
3	Gear Pump	CBK-F2.1F	0.129in ³ /r (2.1ml/r)
2	Suction Filter	YBZ-E2D311/1-10	
1	Tank	YBZ-SLYX-12L	3.17Gallon,Black,Plastic
NO.	Description	P/N	Technical data

Designed by	Checked By	Reviewed by	Approved by	Name	Hydraulic Power Unit
				P/N	YBZ5-F2.1E3H1/AMQOT1
				Rev.:	O

Deli Wuxi Deli Hydraulics Co., Ltd.
www.wx-dl.com tech@wx-dl.com