



HEAVY-DUTY GARDEN WAGON WITH RAILS

OWNER'S MANUAL



WARNING:

Read carefully and understand all INSTRUCTIONS before operating. Failure to follow the safety rules and other basic safety precautions may result in serious personal injury.

Item #46436

Thank you very much for choosing a Strongway product! For future reference, please complete the owner's record below:

Model: _____ Purchase Date: _____

Save the receipt, warranty and these instructions. It is important that you read the entire manual to become familiar with this product before you begin using it.

This wagon is designed for certain applications only. The distributor cannot be responsible for issues arising from modification. We strongly recommend this wagon not be modified and/or used for any application other than that for which it was designed. If you have any questions relative to a particular application, DO NOT use the wagon until you have first contacted the distributor to determine if it can or should be performed on the product.

For technical questions please call **1-800-222-5381**.

INTENDED USE

The Heavy-Duty Garden Wagon is designed to make lawn and garden maintenance easy. The Wagon is capable of carrying up to 1200 pounds and features 16-gauge steel construction. Pneumatic tires offer a smooth ride and great traction, even on rough terrain. You will appreciate the premium-quality construction and long-lasting performance for years to come.

TECHNICAL SPECIFICATIONS

Item	Description
Capacity	1200 lbs. (544kg)
Tires	10in x 3 1/2in - 4in Pneumatic Wheels
Construction	16-Gauge Steel Deck
Side rail	7-1/4in. (18cm) Side Rail

GENERAL SAFETY RULES



WARNING: Read and understand all instructions. Failure to follow all instructions listed below may result in serious injury.



CAUTION: Do not allow persons to operate or assemble this Heavy-Duty Garden Wagon until they have read this manual and have developed a thorough understanding of how it works.



WARNING: The warnings, cautions, and instructions discussed in this owner's manual cannot cover all possible conditions or situations that could occur. It must be understood by the operator that common sense and caution are factors that cannot be built into this product, but must be supplied by the operator.

SAVE THESE INSTRUCTIONS.

WORK AREA

- **Keep the work area clean**, free of clutter and well lit. Cluttered and dark work areas can cause accidents.
- **Keep children and bystanders** away while operating the wagon. Distractions can cause you to lose control, so visitors should remain at a safe distance from the work area. The wagon is not a toy and should not be used as such by children.
- **Be aware of all power lines, electrical circuits**, water pipes and other mechanical hazards in your work area, particularly those hazards below the work surface hidden from the operator's view that may be unintentionally contacted and may cause personal harm or property damage.

PERSONAL SAFETY

- **Stay alert.** Watch what you are doing and use common sense when using the wagon. Do not use the wagon while you are tired or under the influence of drugs, alcohol or medication. A moment of inattentiveness while operating the wagon may result in serious personal injury.
- **Dress properly.** Do not wear loose clothing, dangling objects, or jewelry. Keep your hair, clothing and gloves away from moving parts. Loose clothes, jewelry or long hair can be caught in moving parts.
- **Use safety apparel and equipment.** Use safety goggles or safety glasses with side shields which comply with current national standards, or when needed, a face shield. Use a dust mask in dusty work conditions. This applies to all persons in the work area. Also wear non-skid safety shoes, a hardhat and gloves.
- **This Wagon is not a toy; DO NOT allow children to ride on the wagon.**

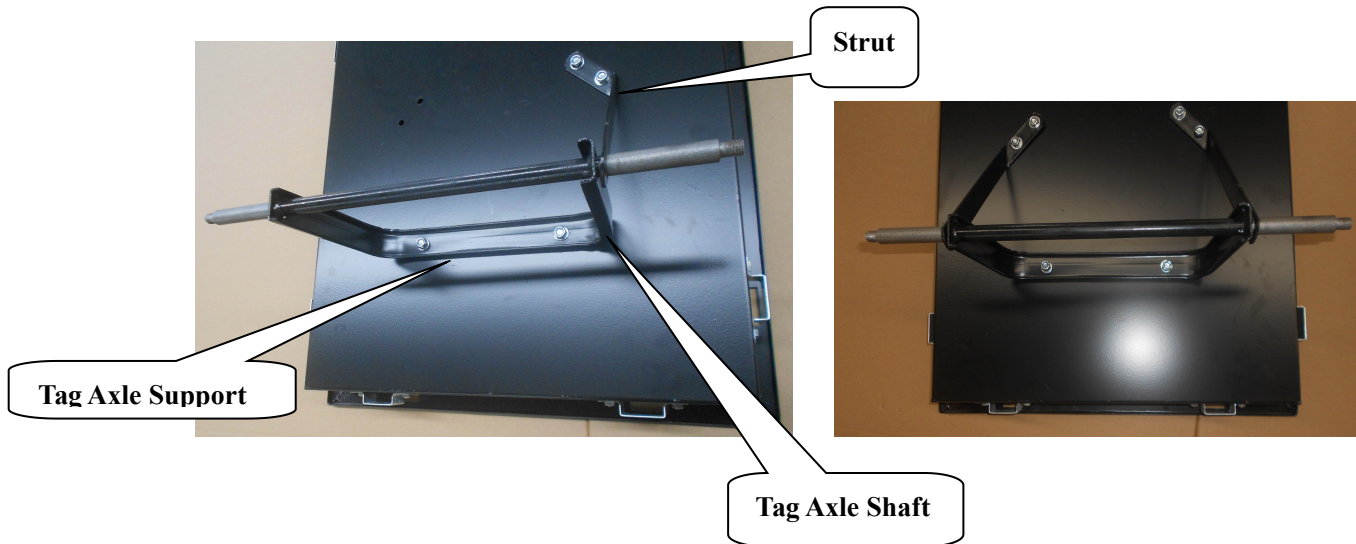
USE AND CARE

- **Do not modify the** wagon in any way. Unauthorized modification may impair the function and/or safety and could affect the life of the equipment. There are specific applications for which the wagon was designed.
- **Always check of damaged or worn out parts before using the** wagon. Broken parts will affect the wagon's operation. Replace or repair damaged or worn parts immediately.
- **Do not exceed the load capacity** of the wagon.
- **Distribute the load evenly.** Uneven loads may cause the wagon to tip, resulting in personal injury to the operator or others.
- **Use the Wagon on flat and level surfaces** capable of supporting the maximum load capacity. Pulling or pushing a load on a slanted or uneven surface can result in a loss of control.
- **Store the Wagon** in a secure place out of the reach of children when not in use. Make sure the wagon is in good working condition prior to storage and before each re-use.

ASSEMBLY

1. Slip the Strut on to the Axle Shaft in the position shown in (Figure 1). Secure the Struts and Tag Axle to the Frame with six M8×20 Hex Bolts, 8mm Flat Washers and M8 Locking Nuts.

Figure 1. Tag Axle Installation



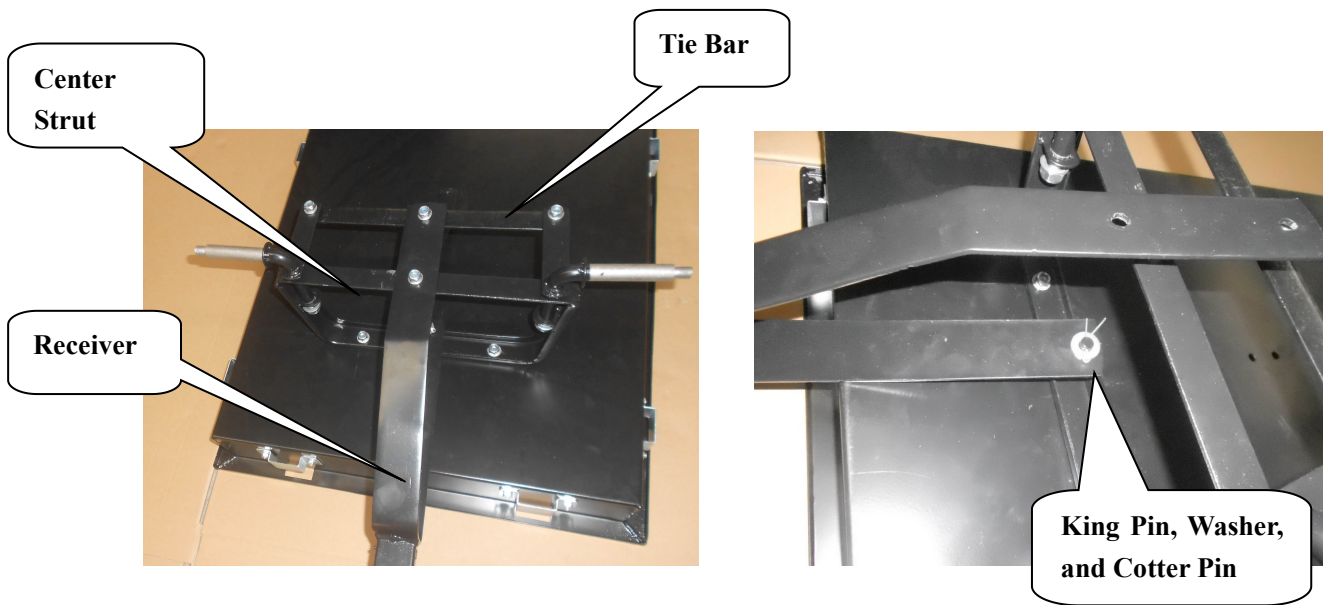
2. Slide the Wheels onto the Axles. Then secure each Wheel to the Axle with a 12mm Flat Washer and a M12 Lock Nut (Figure 2).

Figure 2. Back Wheel Installation



3. Connect the Receiver and the Center Strut to the Steering Axle with a M8×20 Hex Bolt, a 8mm Flat Washer and a M8 Locking Nut (Figure 3)

Figure 3. Steering Axle



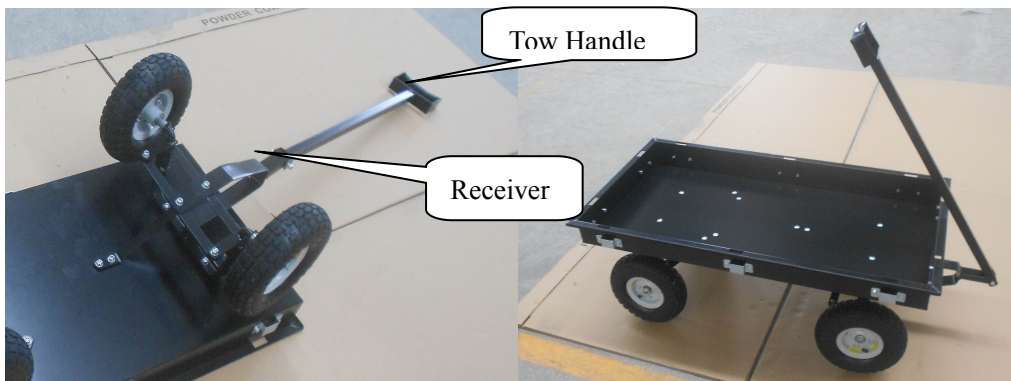
4. Place the 10mm Flat Washer on to the King Pin and secure it with the Cotter Pin (Figure 3).
5. Secure the Tie Bar to the Steering Axle and fasten the Axle Assembly to the Frame with four M8×20 Hex Bolts, 8mm Flat Washers and M8 Locking Nuts (Figure 3).
6. Slide the Wheels onto the Axles, and secure each one in place with a 12mm Flat Washer, a Lock Washer and a Locking Nut. (Figure 4)

Figure 4. Slide the front wheel



7. Insert the Handle into the Receiver. Secure the assembly with the M8×80 Hex Bolt, a 8mm Flat Washer, and a M8 Locking Nut. Attach the Baffle Fixed Folder (10 pcs.) with a M6 Hex Bolt, a 6mm Flat Washer, and a M6 Locking Nut (Figure 5).

Figure 5. Tow Handle



8. Fix the wood Side-, Front- and Back-Panels to the Wagon Slots (Figure 6).

Figure 6. Wood Side Rail Base Assembly

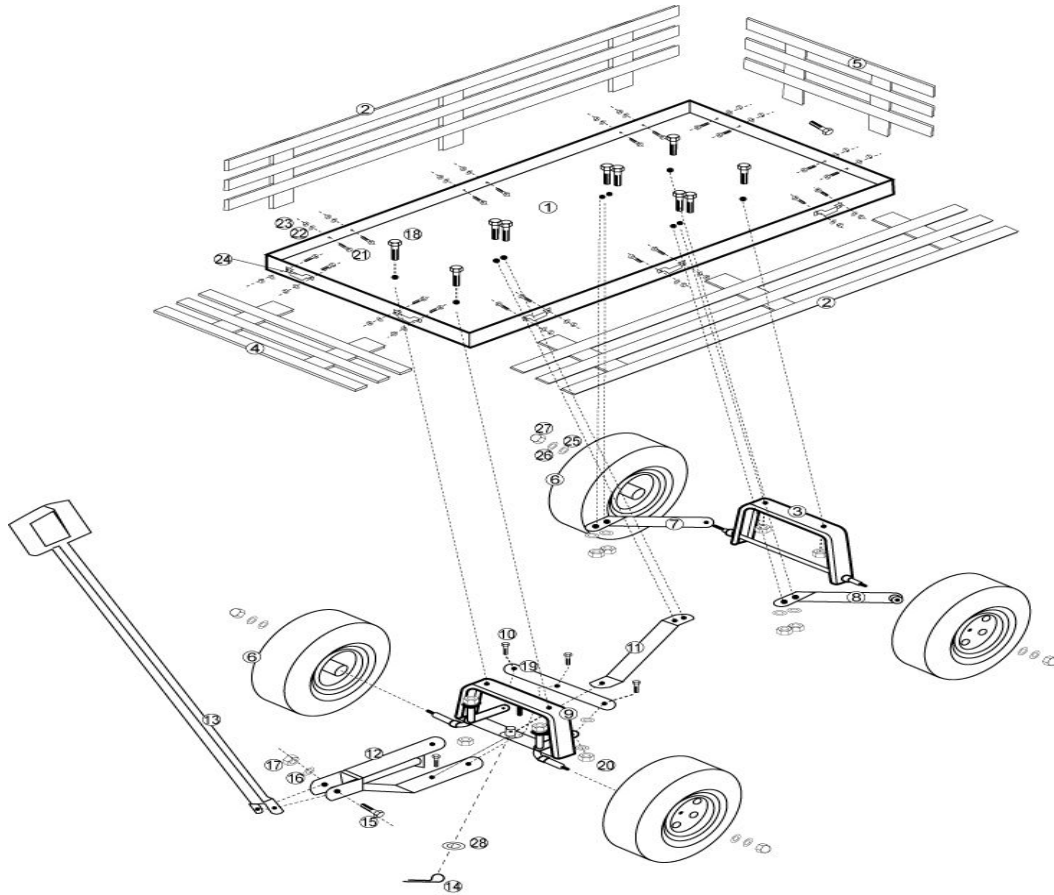


WARNING: Make sure the tires are inflated to the pressure indicated on the tire sidewall. Do not over inflate: Use a hand pump only. A high-pressure air hose can easily overfill the tires resulting in an explosion and possible injury.

MAINTENANCE

- **Maintain your Wagon.** It is recommended that the general condition of the wagon be examined before it is used. Keep your wagon in good working order by adopting a program of conscientious repair and maintenance. If any abnormal vibrations or noise occurs, have the problem corrected before further use. Have all necessary repairs made by a qualified service professional.

DIAGRAM AND PARTS LIST



Part #	Description	Qty.	Part #	Description	Qty.
#01	Bed	1	#15	Hex Bolt M8×60	1
#02	Side Panel	2	#16	Flat Washer 8MM	15
#03	Rear Axle w/Support	1	#17	Lock Nut M8	15
#04	Front Panel	1	#18	Cross Head Bolt M8×15	10
#05	Back Panel	1	#19	Tie Bar	1
#06	3.50-4 Wheel	4	#20	Sleeve	2
#07	Rear Axle Right Strut	1	#21	Cross Head Bolt M6×10	20
#08	Rear Axle Left Strut	2	#22	Flat Washer 6MM	20
#09	Steering Axle Support	1	#23	Lock Nut M6	20
#10	Hex Bolt M8×15	1	#24	Baffle Fixed Folder	10
#11	Center Strut	1	#25	Flat Washer 12 MM	4
#12	Receiver	1	#26	Spring Washer 12MM	4
#13	Handle	1	#27	Lock Nut M12	4
#14	Cotter Pin M3×30	1	#28	Flat Washer 10mm	1

For replacement parts and technical questions, please call **1-800-222-5381**.

WARRANTY

One-year limited warranty



Distributed by:

Northern Tool + Equipment Co., Inc.

Burnsville, Minnesota 55306-6936

NorthernTool.com

Made in China