



GARDEN HOSE REEL CART OWNER'S MANUAL



WARNING:

Read carefully and understand all **ASSEMBLY AND OPERATION INSTRUCTIONS** before operating. Failure to follow the safety rules and other basic precautions may result in serious injury.

ITEM #46433

Thank you very much for choosing a Strongway™ product. For future reference, please complete the owner's record below:

Model: _____ Purchase Date: _____

Save the receipt, warranty and these instructions. It is important that you read the entire manual to become familiar with this product before you begin using it.

This item is designed for certain applications only. The distributor cannot be responsible for issues arising from modification. We strongly recommend this item not be modified and/or used for any application other than that for which it was designed. If you have any questions relative to a particular application, DO NOT use this product until you have first contacted the distributor to determine if it can or should be performed on the product.

For technical questions please call **1-800-222-5381**.

INTENDED USE

This hose reel is intended for low pressure (70 PSI or less) lawn and garden use, and holds up to 150 feet of 5/8" garden hose. Includes 6-foot 5/8" connection hose.

TECHNICAL SPECIFICATIONS

Model	5/8" Capacity	Pressure	Inlet	Outlet	Material
46433	150 Feet	70 PSI MAX	3/4" GH	3/4" GH	Steel

GENERAL SAFETY RULES



WARNING: Read and understand all instructions. Failure to follow all instructions listed below may result in serious injury.



CAUTION: Do not allow persons to operate or assemble this hose reel cart until they have read this manual and have developed a thorough understanding of how it works.



WARNING: The warnings, cautions and instructions discussed in this instruction manual cannot cover all possible conditions or situations that could occur. It must be understood by the operator that common sense and caution are factors which cannot be built into this product, but must be supplied by the operator.

SAVE THESE INSTRUCTIONS

WORK AREA

- **Keep work area clean**, free of clutter and well lit. Cluttered and dark work areas can cause accidents.
- **Keep children and bystanders** away while operating this hose reel. Distractions can cause you to lose control, so visitors should remain at a safe distance from the work area.
- **Be aware of all power lines, electrical circuits**, water pipes and other mechanical hazards in your work area, particularly those hazards below the work surface hidden from the operator's view that may be unintentionally contacted and may cause personal harm or property damage.
- **Be alert of your surroundings**. Using this hose reel in confined work areas may put you dangerously close to cutting tools and rotating parts.

PERSONAL SAFETY

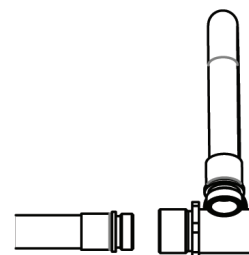
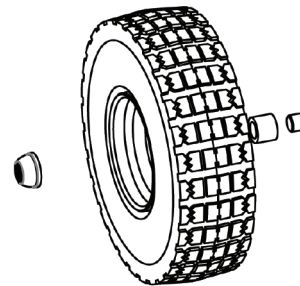
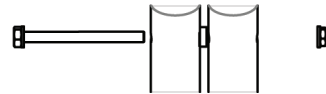
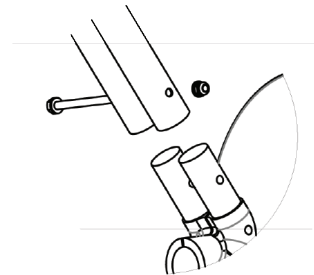
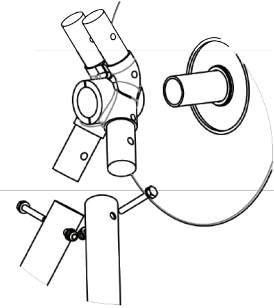
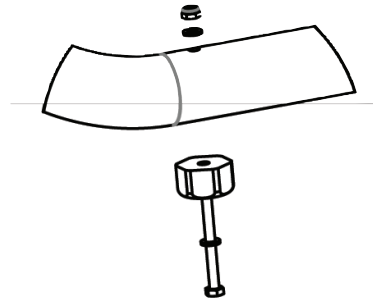
- **Stay alert**, watch what you are doing and use common sense when using this product. Do not use while you are tired or under the influence of drugs, alcohol or medication. A moment of inattention while operating a hose reel may result in serious personal injury.
- **Dress properly**. Do not wear loose clothing, dangling objects, or jewelry. Keep your hair, clothing and gloves away from moving parts. Loose clothes, jewelry or long hair can be caught in moving parts.
- **Use safety apparel and equipment**. Use safety goggles or safety glasses with side shields which comply with current national standards, or when needed, a face shield. Use a dust mask in dusty work conditions. This applies to all persons in the work area. Also use non-skid safety shoes, hard hat, gloves, dust collection systems, and hearing protection when appropriate.

PRODUCT USE AND CARE

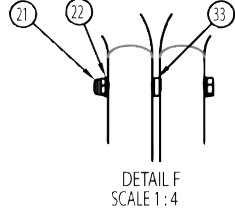
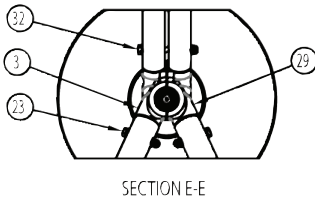
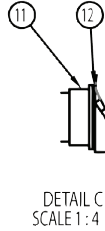
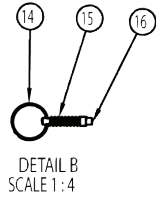
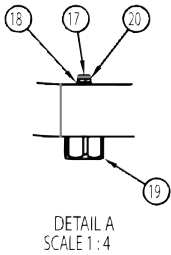
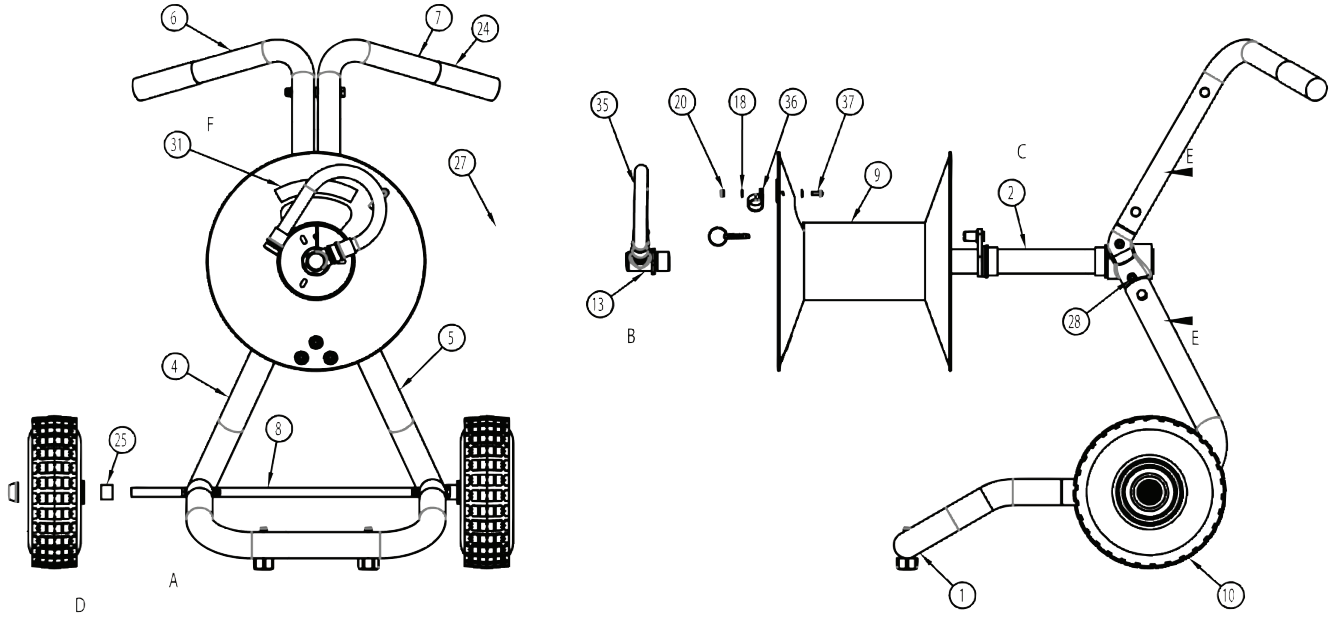
- **Do not modify this product in any way**. Unauthorized modification may impair the function and/or safety and could affect the life of the equipment. There are specific applications for which this product was designed.
- **Always check for damaged or worn out parts before using this hose reel**. Broken parts will affect the operation. Replace or repair damaged or worn parts immediately.
- **Do not exceed the hose reel capacity**.
- **Distribute the load evenly**. Uneven loads may cause the hose reel to tip, resulting in personal injury to the operator or others.
- **Use the hose reel on flat and level surfaces** capable of supporting the hose reel and its maximum load. Pulling or pushing a load on a slanted or uneven surface can result in loss of control.
- **Store idle hose reel**. When hose reel is not in use, store it in a secure place out of the reach of children. Inspect it for good working condition prior to storage and before re-use.

ASSEMBLY INSTRUCTIONS

1. Assemble bumper (Item 1) to left and right legs (Item 5, Item 4) using (2) M8 x 60 hex head bolts (Item 23), nuts (Item 21), and washers (Item 22).
2. Insert preassembled yokes, mounting tube, and reel into respective legs and secure yokes with M8 hex head bolts, nuts and washers.
3. Insert left and right handles (Item 7, Item 6) into yokes and secure with M8 hex head bolts, nuts and washers.
4. Attach spacers (Item 33) between handles using bolts, nuts and washers (Item 32, Item 21 and Item 22).
5. Assemble axle (Item 8), spacers (Item 25), wheels (Item 10) and axle caps (Item 30).
6. Attach hose (Item 26) to swivel (Item 13) and thread swivel into mounting tube. A little light oil or grease helps with threading.
7. Attach your garden hose to cart's swivel and you are ready to use your Strongway garden hose cart.



EXPLODED VIEW AND PARTS LIST



ITEM	PART #	DESCRIPTION	QTY
1	2550186	Bumper	1
2	2530119	Tube, Mounting	1
3	2450011	Yoke, Left	1
4	2550187	Leg, Right	1
5	2550185	Leg, Left	1
6	2550184	Handle	1
7	2550183	Handle	1
8	2530079	Axle	1
9	2103270	Assy., Flange	1
10	DF80052	Wheel, 10 inch	2
11	2530025	Bushing	2
12	2203403	Washer	2
13	2103081	Swivel	1
14	2200032	Ring	1
15	2720004	Spring	1
16	2530078	Pin, Lock	1
17	2200074	HHCS, M6	2

ITEM	PART #	DESCRIPTION	QTY
18	2200018	Washer, M6	6
19	2702052	Foot	2
20	2200026	Nut, Nylok, M6	3
21	2200053	Nut, M8 x 1.25	6
22	2200013	Washer	12
23	2200075	HHCS, M8 x 1.25	4
24	2660197	Grip	2
25	2660198	Spacer	2
26	2103082	Hose, Assy. (not pictured)	1
27	100056	Handle, Assy.	1
28	2200076	SHCS, M8	2
29	2450012	Yoke, Right	1
30	2640019	Cap, Axle	2
31	2400158	Decal	1
32	2200079	HHCS, M8 x 1.25	2
33	2660200	Spacer	1
34	2800003	Wrench, Allen (not pictured)	1
35	2103096	Assy., Hose	1
36	2202025	Clamp, Hose	1
37	2200083	Bolt, M6	1
REPAIR KITS			
	2103082	Hose, Replacement (Includes item #26)	
	2100297	Kit, Swivel Repair (Includes necessary seals for item #13)	
	2100302	Kit, Lock (Includes items 14, 15, 16)	
	2100299	Kit, Tube (Includes items 6, 7, 21, 22, 24, 32, 33)	

WARRANTY

7-Year Limited Warranty

Northern Tool + Equipment warrants this hose reel, components and parts, unless otherwise specified, under normal use and service for a period of 7 years. Northern Tool + Equipment reserves the right to substitute for equivalent model hose reel (or parts) in the event this specific model (or part) is no longer available.

This warranty does not cover damage caused by products not supplied by warrantor, leaking caused by use of acid, harsh chemicals or mineral deposits, or failures which results from accidents, mishandling, faulty installation, freezing, misuse or misapplication, abuse or neglect.



Distributed By
Northern Tool + Equipment Co., Inc.
Burnsville, Minnesota 55306-6396
Made in China

Ref. 300795 Rev F
12-14