



DELUXE GARDEN CART
OWNER'S MANUAL



WARNING:

Read carefully and understand all **ASSEMBLY AND OPERATION INSTRUCTIONS** before operating. Failure to follow the safety rules and other basic safety precautions may result in serious personal injury.

Item# 46377

Thank you very much for choosing this Strongway product! For future reference, please complete the owner's record below:

Model: _____ Purchase Date: _____

Save the receipt, warranty and these instructions. It is important that you read the entire manual to become familiar with this product before you begin using it.

This garden cart is designed for certain applications only. The distributor cannot be responsible for issues arising from modification. We strongly recommend this garden cart not be modified and/or used for any application other than that for which it was designed. If you have any questions relative to a particular application, DO NOT use the garden cart until you have first contacted the distributor to determine if it can or should be performed on the product.

For technical questions please call **1-800-222-5381**.

INTENDED USE

This deluxe garden cart is perfect for gardening, weeding, planting, harvesting and lawn maintenance. The cart comes with (1) pulling handle and (1) steering handle. This allows the operator to switch handles once you reached your final destination. The cushion seat pad offers comfort and style. The tool holder allows you to put all your essential gardening needs and personal items such as a cell phone, MP3 player, or beverage.

TECHNICAL SPECIFICATIONS

Item	Description
Max Capacity	400 lbs.
Tires	Easy rolling 10" pneumatic tires for rough terrain
Construction	Steel

GENERAL SAFETY RULES



WARNING: Read and understand all instructions. Failure to follow all instructions listed below may result in serious injury.



CAUTION: Do not allow persons to operate or assemble this Deluxe Garden Cart until they have read this manual and have developed a thorough understanding of how the product works.



WARNING: The warnings, cautions, and instructions discussed in this instruction manual cannot cover all possible conditions or situations that could occur. It must be understood by the operator that common sense and caution are factors that cannot be built into this product, but must be supplied by the operator.

SAVE THESE INSTRUCTIONS

IMPORTANT SAFETY CONSIDERATIONS

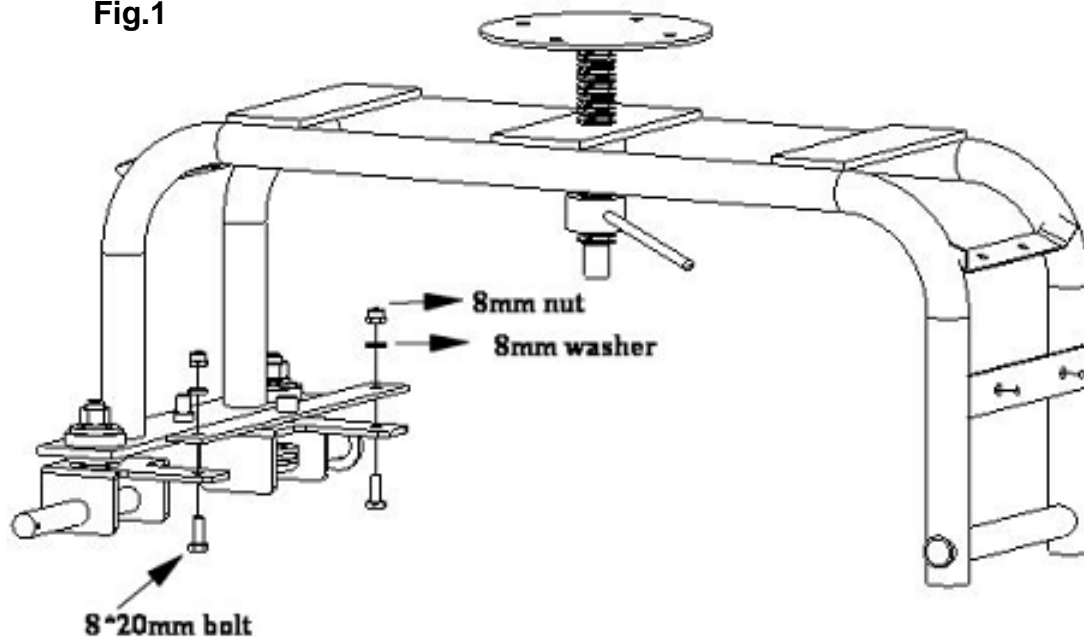
DELUXE GARDEN CART: USE AND CARE

- **Do not modify the Deluxe Garden Cart in any way.** Unauthorized modification may impair the function and/or safety and could affect the life of the equipment. There are specific applications for which the Deluxe Garden Cart was designed.
- **Do not load the work seat with more than 400 lbs.**
- **Do not load the basket with more than 30 lbs.**
- **Always check of damaged or worn out parts before using the Deluxe Garden Cart.**
- Broken parts will affect the Deluxe Garden Cart operation. Replace or repair damaged or worn parts immediately.
- **Store idle Deluxe Garden Cart.** When Deluxe Garden Cart is not in use, store it in a secure place out of the reach of children. Inspect it for good working condition prior to storage and before re-use.

ASSEMBLY

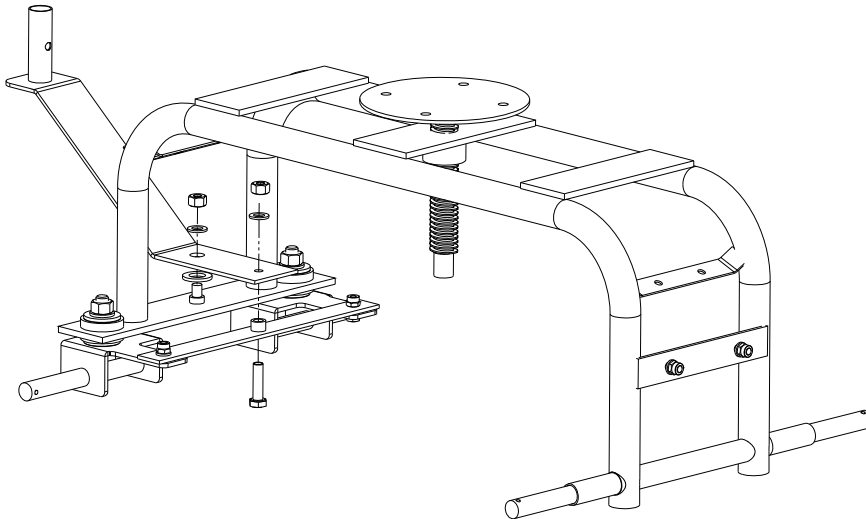
1. Place the Steering Link Connector (nub side up) onto the Front Axle Support assembly. Secure with two 8*20 mm bolts, two 8 mm washers and two 8 mm nuts as shown (Fig.1). Use a slip-jaw (adjustable pliers) to hold the head of the bolt while tightening the nut with a wrench.

Fig.1



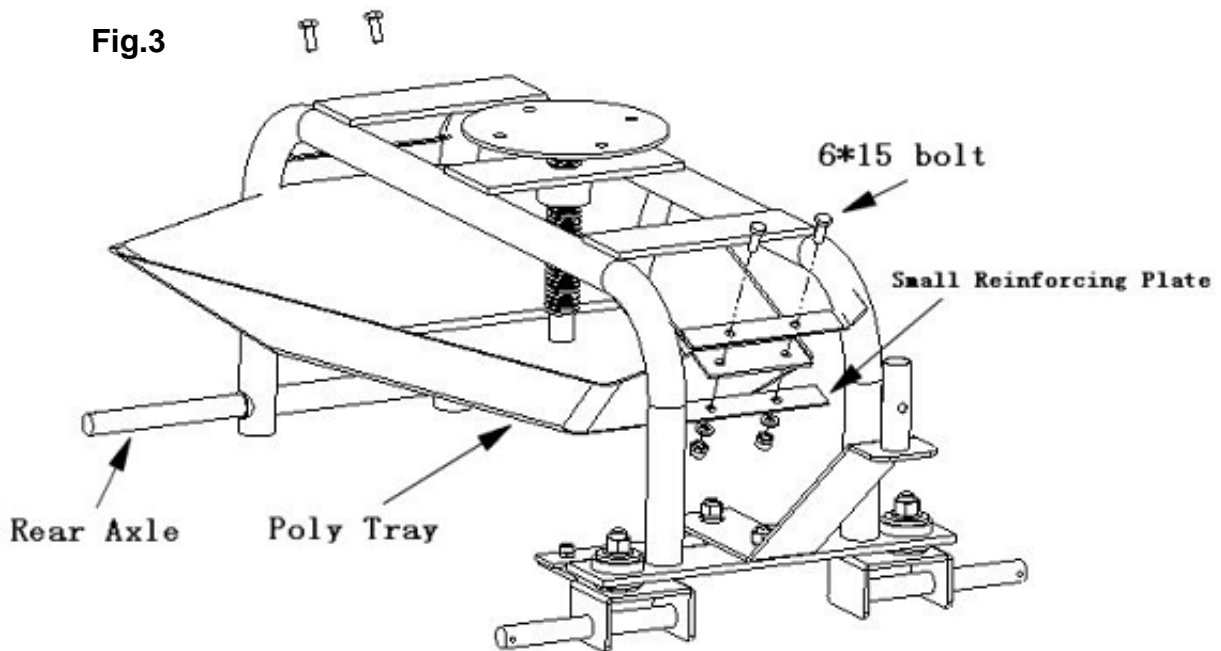
2. Remove the 8mm nut and washer from the pre-welded bolt on the Front Axle Support. Place the Handle Support over the pre-welded bolt and secure with small washer and nut as shown (Fig.2). Use the 8*25 mm bolt, washer and nut to attach the rear hole in the handle to the nub referenced in (Step 1). Hand tighten the nuts.

Fig.2



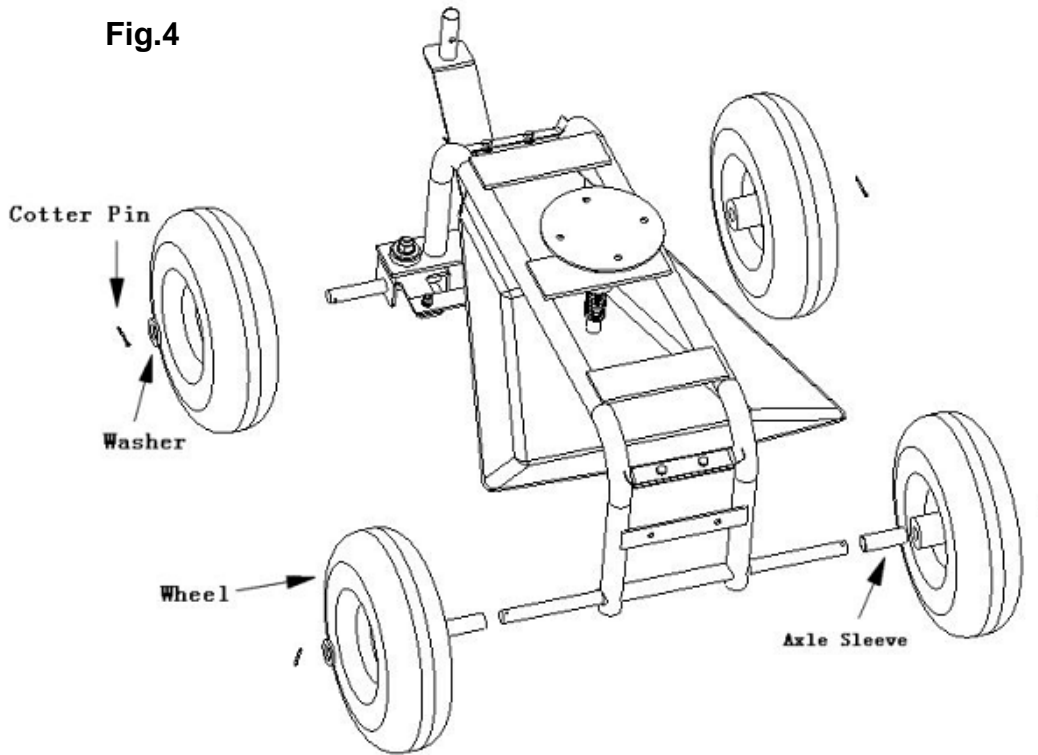
3. Insert the Rear Axle through the Rear Axle Frame as shown (Fig.3). Using the small 6*15 mm bolts, washers and nuts attach the tray (front first) to the frame using the Small Reinforcing Plate . Place the plate under the front rim of the tray lining up the holes with the predrilled holes in the (pre-welded) Front Tray Bracket. Hold each nut with a wrench or pliers while tightening each bolt with a flat head (slotted) screwdriver.

Fig.3



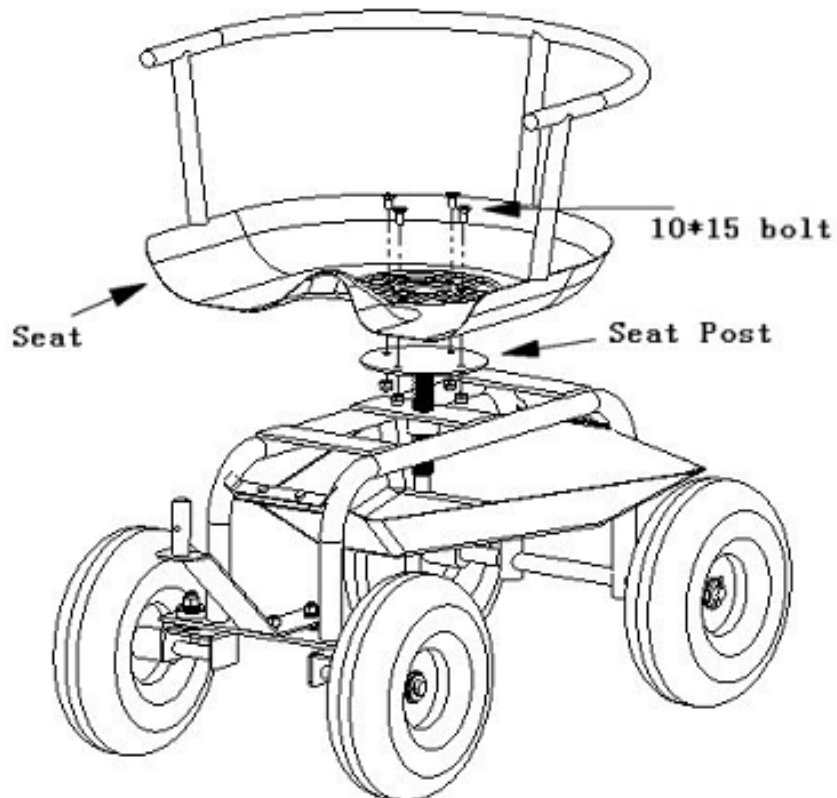
4. Slide one Axle Sleeve onto each end of the Rear Axle (Fig.4). Using the washers packaged with the Cotter Pins, followed by a Wheel (with valve stem facing towards you) onto each end of the Rear Axle. Slide a Cotter Pin through the predrilled hole at the end of the Axle. Open the Cotter Pin and wrap the ends of the Pin back around the Axle to secure the wheel. (Note: Axle Sleeves are not used on the Front Axle)

Fig.4



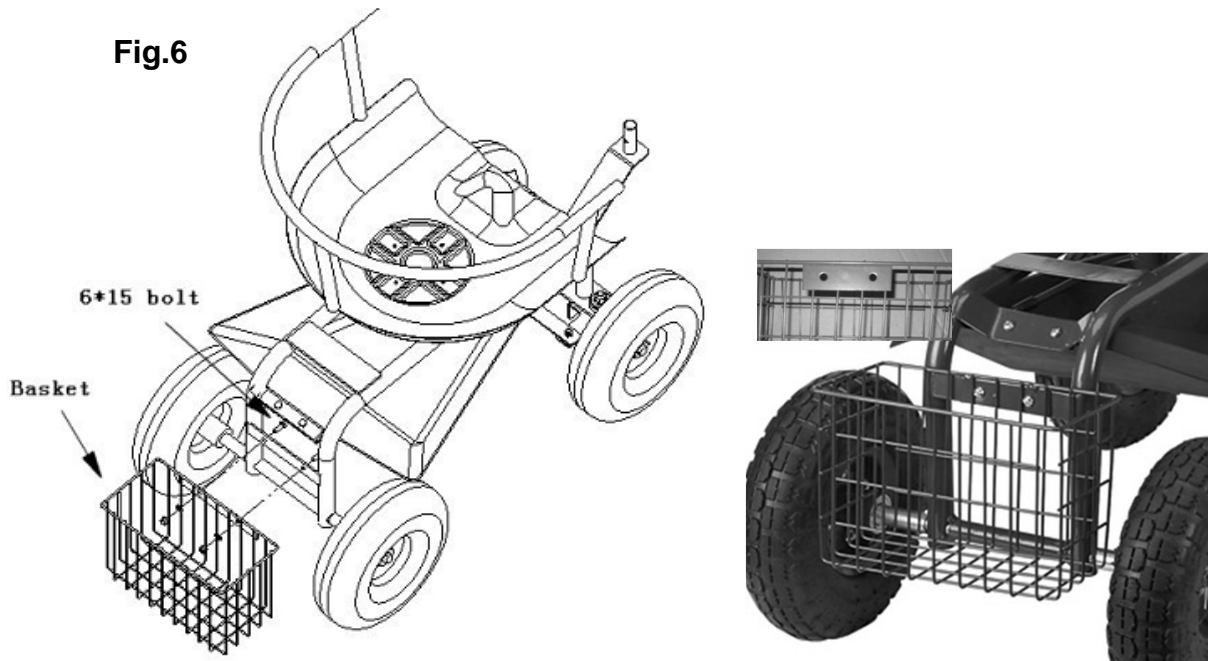
5. Attach the Seat to the Seat Post with Four 10*15 mm bolts, washers and nuts. Use a pliers and a flat head screwdriver to fully tighten the bolts in place. Note that the threaded stem of the Seat Post has a Washer and Cotter Pin pre-installed. Check by looking under the Seat to make sure the Cotter Pin is wrapped around the shaft and secure (Fig.5). The Seat may be raised or lowered to a desired height simply by turning it clockwise or counterclockwise. We recommend adjusting the Seat to a height where your feet rest level on the ground.

Fig.5



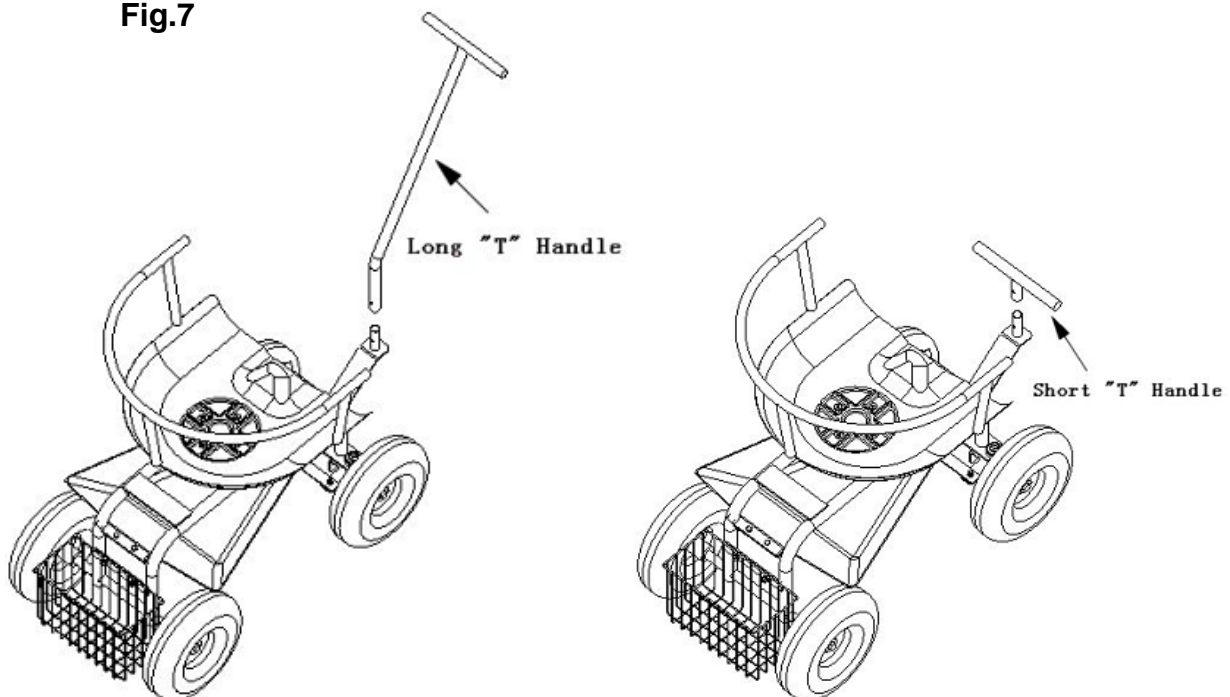
- Using the small 6*15mm bolts, washers and nuts attach the Basket to the Frame as shown (Fig.6).
Hold each nut with a wrench or pliers while tightening each bolt with a flat head (slotted) screwdriver.

Fig.6

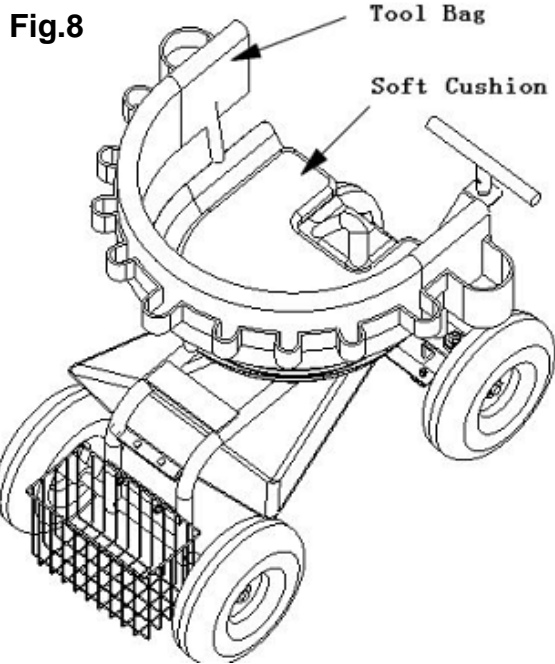


- Attach the Long "T" Handle or Short "T" Handle ensuring that the button pop out and secure into place as shown (Fig.7).

Fig.7



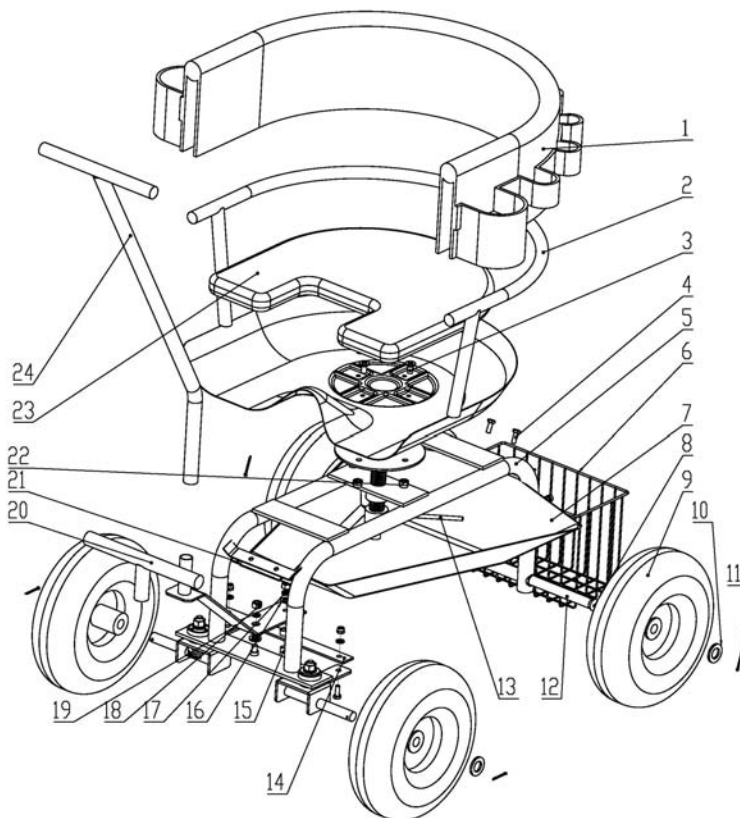
8. Place the Seat Cushion Pad and Tool Bag on metal seat as shown (Fig.8).



MAINTENANCE

Maintain your Deluxe Garden Cart. It is recommended that the general condition of this Deluxe Garden Cart be examined before use. Keep your Deluxe Garden Cart in good condition by inspecting for loose bolts or unusual wear. Have necessary repairs made by qualified service personnel.

DIAGRAM AND PARTS LIST



Part#	Description	Qty.	Part#	Description	Qty.
01	Tool Bag	1	15	Hex Head Bolt 8*20mm	2
02	Seat	1	16	Hex Head Bolt 8*25mm	1
03	Flat Head Bolt 10*15mm	4	17	Washer 8mm	4
04	Round Head Bolt 6*15mm	6	18	Nut 8mm	4
05	Frame	1	19	Handle Support	1
06	Basket	1	20	Short "T" Handle	1
07	Poly Tray	1	21	Small Reinforcing Plate	2
08	Axle Sleeve	2	22	Washer 10mm	4
09	Wheel	4	23	Nut 10mm	4
10	Washer 16mm	4	24	Soft Cushion	1
11	Cotter Pin	4	25	Long "T" Handle	1
12	Axle	1	26	Washer 6mm	6
13	Big Locking Nut	1	27	Nut 6mm	6
14	Steering link Connector	1			

For replacement parts and technical questions, please call **1-800-222-5381**.

WARRANTY

One-year limited warranty



Distributed by
 Northern Tool + Equipment Co., Inc.
 Burnsville, Minnesota 55306
 NorthernTool.com
 Made in China