



# **1-TON SCISSOR JACK**

## **OWNER'S MANUAL**



### **WARNING:**

Read carefully and understand all **ASSEMBLY AND OPERATION INSTRUCTIONS** before operating. Failure to follow the safety rules and other basic safety precautions may result in serious personal injury.

**Item# 46212**

Thank you very much for choosing an Ironon product! For future reference, please complete the owner's record below:

Model: \_\_\_\_\_ Purchase Date: \_\_\_\_\_

Save the receipt, warranty and these instructions. It is important that you read the entire manual to become familiar with this product before you begin using it.

This machine is designed for certain applications only. The distributor cannot be responsible for issues arising from modification. We strongly recommend this machine not be modified and/or used for any application other than that for which it was designed. If you have any questions relative to a particular application, DO NOT use the machine until you have first contacted the distributor to determine if it can or should be performed on the product.

For technical questions please call **1-800-222-5381**.

## INTENDED USE

This collapsible, compact steel scissor jack can be used as a rugged replacement jack or an extra utility jack that can be stored in the trunk of your car. The extra-wide base offers easy positioning, and the one-piece handle delivers on-the-spot quick response and speed when you need it.

## TECHNICAL SPECIFICATIONS

	<b>Description</b>
<b>Item</b>	<b>46212</b>
Maximum Capacity	2,000 lbs.
Minimum Lift Height	3-5/16 in.
Maximum Lift Height	15 in.
Product Size	6.93in. x 3.54in. x 3.35in.
Weight	6.17 lbs.

## GENERAL SAFETY RULES



**WARNING: Read and understand all instructions.** Failure to follow all instructions listed below may result in serious injury.



**CAUTION: Do not allow persons to operate or assemble this jack until they have read this manual and have developed a thorough understanding of how the jack works.**



**WARNING: The warnings, cautions, and instructions discussed in this instruction manual cannot cover all possible conditions or situations that could occur.** It must be understood by the operator that common sense and caution are factors that cannot be built into this product, but must be supplied by the operator.

## SAVE THESE INSTRUCTIONS

## IMPORTANT SAFETY CONSIDERATIONS

- **Do not modify the jack in any way.** Unauthorized modification may impair the function and/or safety and could affect the life of the equipment.
- **Always check for damaged or worn out parts before using the jack.** Broken parts will affect the jack operation. Replace or repair damaged or worn parts immediately.
- **Store idle jack.** When jack is not in use, store it in a secure place out of the reach of children. Inspect it for good working condition prior to storage and before re-use.
- **Keep children and bystanders away while operating this jack.** Distractions can cause you to lose control.
- **Not for use by children, or while under the influence of drugs or alcohol.**

## DO NOT OPERATE OR REPAIR THIS EQUIPMENT WITHOUT READING THIS MANUAL.

To maintain the Service Jack and user safety, the responsibility of the owner is to read and follow these instructions.

- Inspect the scissor jack for proper operation and function.
- Keep instructions readily available for equipment operators.
- Make certain all equipment operators are properly trained; understand how to safely and correctly operate the unit.
- Allow unit operation only with all parts in place and operating properly.
- Use only genuine replacement parts.
- Service and maintain the unit only with authorized or approved replacement parts; negligence will make the jack unsafe for use and void the warranty.
- Carefully inspect the unit on a regular basis and perform all maintenance as required.
- Store these instructions in the handle of your jack.
- Keep all decals on the unit clean and visible.

## INSPECTION

- Inspect the scissor jack before use. Look for any damaged parts or mechanical problems before using.
- Inspect the work area. Ensure it is free of potential hazards before beginning work.

## Safety

Always follow safety precautions when installing and operating this jack. Keep all decals on the unit clean and visible. Before proceeding that you fully understand and comprehend the full contents of this manual. Failure to operate this equipment as directed may cause injury or death. The distributor is not responsible for any damages or injury caused by improper use or neglect.



### **WARNING:**

#### **Always use Jack Stands!**

**DO NOT USE** wood blocks or any other non-approved load sustaining devices. The manufacturer only warrants loads to be sustained by jack stands that meet current ASME standards.

**DO NOT USE** wood blocks or any other non-approved lifting devices for a means of lifting with the jack and or load being raised. Failure to heed these warnings may cause injury or death.

## SAFETY MARKINGS

### **WARNING:**

1. Study, understand, and follow all instructions before operating this device.
2. Do not exceed rated capacity.
3. Use only on hard, level surfaces.
4. Lifting device only. Immediately after lifting, support the vehicle with jack stands.
5. Do not move or dolly the vehicle while on the jack.
6. Lift only on areas of the vehicle as specified by the vehicle manufacturer.
7. No alterations shall be made to this product.
8. Only attachments and/or adapters supplied by the manufacturer shall be used.
9. Do not get under or allow anyone under the vehicle until it has been supported by jack stands.
10. Center load on saddle prior to lifting.
11. Use wheel chocks or other blocking device on opposing wheels before using jack.
12. Do not use this jack for any use other than the manufacturer specified usage.
13. Failure to heed these markings may result in personal injury and/or property damage.



## GENERAL SAFETY INSTRUCTIONS

### \* **Position the Jack**

Position the jack to only lift on the areas of the vehicle as specified by the vehicle manufacturer.

### \* **Always Use Jack Stands**

After lifting the vehicle always support the load with appropriately rated vehicle Jacks stands before working on the vehicle.

### \* **Do Not Overload Jack**

Do not overload this jack beyond its rated capacity. Overloading this jack beyond its rated capacity can cause damage to or failure of the jack.

### \* **Always Use on Hard Level Surfaces**

This jack is designed only for use on hard level surfaces capable of sustaining the load. Use on unstable or other possible loss of load.

### \* **Chock and Block (Stabilize)**

-Apply parking brake in vehicle before operating jack.

-A chock is a wedge for steadying an object and holding it motionless, or for preventing the movement of a wheel.

-Chock the wheel opposite the end being lifted.

-When you block a load, you secure and support a load that is being lifted. The block(s) or stabilizer(s) should have a weight capacity that is greater than the weight of the load which is being lifted.

### \* **Center Load on Jack Saddle**

Center load on jack saddle before lifting vehicle.

Off-center loads and loads lifted when the jack is not level can cause loss of load or damage to the jack.

### \* **Do not raise or lower the vehicle unless tools, materials and people are clear.**

When the lift is being lowered, make sure everyone is standing at least six feet away. Be sure there are no tools or equipment left under or around the jack before lowering.

### \* **Always lower the jack slowly.**

### \* **DO NOT USE THE JACK TO SUPPORT OR STABILIZE A LOAD.**

Using the jack to support or stabilize a load may result in unexpected movement and result in serious injury, being crushed and death. Always securely chock and block (stabilize) the load to be lifted. Never place any part of the body under a raised load without properly chocking and supporting the load.

### \* **Never use the jack on curved or tubular vehicle**

Bumpers, this will result in the vehicle slipping off the jack and falling, causing serious injury or death. Use a bumper lift to lift most vehicles with curved bumpers or plastic bumpers.

### \* **Wear ANSI-approved safety glasses and heavy-duty work gloves during use.**

### \* **Do not adjust the safety valve.**

### \* **Do not move or dolly vehicle while jack is in use.**

\* **Stay alert. Use caution and common sense when operating jack.** Do not use a jack when tired, incoherent, dizzy, under the use of drugs or alcohol.

### **Training**

-Read this manual before use. Do not allow anyone who has not read this manual, and/or does not understand the requirements, use the jack.

### **Spectators**

-Do not allow bystanders around the jack or under the load supported only by the jack. -Do not allow anyone in the vehicle while the jack is in use. Keep all bystanders away from vehicle when in use.

### **Inspection**

-Inspect the jack carefully before each use. Ensure the jack is not damaged, excessively worn, or missing parts. -Do not use the jack unless it is properly lubricated. -Using a jack that is not in good clean working condition or properly lubricated may cause serious injury.

### **Additional Notes:**

Save the receipt, warranty and these instructions.

**Do not modify** the jack in any way. Unauthorized modification may impair the function and/or safety and could affect the life of the equipment. There are specific applications for which the jack was designed.

**Always check for damaged or worn** out parts before using the jack. Broken parts will affect the equipment operation. Replace or repair damaged or worn parts immediately.

When jack is not in use, store it in a secure place out of the reach of children. Inspect it for good working condition prior to storage and before re-use.

## ASSEMBLY

1. Familiarize yourself with the jack.
2. Insert the jack handle into the hole of the handle socket.
3. Make sure the saddle is correctly positioned. To prevent damage to the jack, do not move the jack while the handle is attached to the socket..
4. Secure the handle in place inside the handle socket. Without any weight on the jack. Cycle the lift up and down several times to insure the jack is operating properly.

## BEFORE USE

1. Before using this product, read the owner's manual completely and familiarize yourself thoroughly with the product and the hazards associated with its improper use.
2. Check and that the jack operates smoothly before putting into service.
3. Inspect before each use. Do not use if bent, broken or cracked components are noted.

## OPERATION

### RAISING THE JACK

1. Position the jack near desired lift point.
2. Insert the jack handle into the hole of the handle socket.
  - To prevent damage to the jack, do not move the jack while the handle is attached to the socket.
3. Secure the handle in place inside the handle socket. Without any weight on the jack. Cycle the lift up and down several times to insure the jack is operating properly.
4. Before raising, double check and verify the saddle is centered and also has full contact with the lifting point.
5. Grasp the handle firmly with both hands. Securely hold on to the jack handle so your hands do not slip.
6. To raise load, turn handle clockwise.
7. After lifting, support the load with support stands before working under any load.

### LOWERING THE JACK

1. Insert the jack handle into the hole of the handle socket.
  - To prevent damage to the jack, do not move the jack while the handle is attached to the socket.
2. Grasp the handle firmly with both hands. Securely hold on to the jack handle so your hands do not slip and ensure the release valve does not rapidly lower.
3. Raise load high enough to allow clearance for the support stands to be removed, then carefully remove support stands.
4. Secure the handle in place inside the handle socket.
5. To lower load, turn handle counter-clockwise.
6. After removing jack from under the load, lower the saddle completely.



**CAUTION:** NEVER WIRE, CLAMP OR OTHERWISE DISABLE THE LIFT CONTROL TO FUNCTION BY ANY MEANS OTHER THAN BY USING THE OPERATOR'S HAND. USE THE HANDLE PROVIDED WITH THIS PRODUCT OR AN AUTHORIZED REPLACEMENT HANDLE TO ENSURE PROPER RELEASE OPERATION.



**WARNING:** USE EXTREME CAUTION WHEN LOWERING THE JACK. FAILURE TO HEED THESE WARNINGS COULD CAUSE SERIOUS INJURY OR DEATH.

## **MAINTENANCE INSTRUCTIONS**

If you use and maintain your equipment properly, it will give you many years of service. Follow the maintenance instructions carefully to keep your equipment in good working condition. Never perform any maintenance on the equipment while it is under a load.

Visual inspection shall be made before each use of the jack by checking for abnormal conditions, such as cracked welds, and damaged or missing parts.

Because of the potential hazard associated with the jack, no alterations shall be made to the products.

### **Inspection**

You should inspect the product for damage, wear, broken or missing parts (e.g.: pins) and that all components function before each use. Follow lubrication and storage instructions for optimum product performance.

### **Binding**

If the product binds while under a load, use equipment with equal or a larger load capacity to lower the load safely to the ground. After un-binding; clean, lubricate and test that equipment is working properly. Rusty components, dirt, or worn parts can be causes of binding Clean and lubricate the equipment as indicated in the lubrication section. Test the equipment by lifting without a load. If binding continues, contact Customer Service.

### **Cleaning**

If the moving parts of the equipment are obstructed, use cleaning solvent or another good degreaser to clean the equipment. Remove any existing rust, with a penetrating lubricant.

### **Lubrication**

This equipment will not operate safely without proper lubrication. Using the equipment without proper lubrication will result in poor performance and damage to the equipment. Some parts in this equipment are not self-lubricating; inspect the equipment before use and lubricate when necessary. After cleaning, lubricate the equipment using light penetrating oil or lubricating spray.

-Use a good lubricant on all moving parts.

-For light duty use, use lubrication once a month.

-For heavy and constant use, lubrication is recommended every week.

-NEVER USE SANDPAPER OR ABRASIVE MATERIAL ON THESE SURFACES!

### **Rust Prevention:**

-Check threads and pivot point's assemblies daily for any signs of rust or corrosion.

-Without a load lift the equipment as high as it goes and look under and behind the lifting points. If signs of rust are visible clean as needed.

### **Grease Fittings**

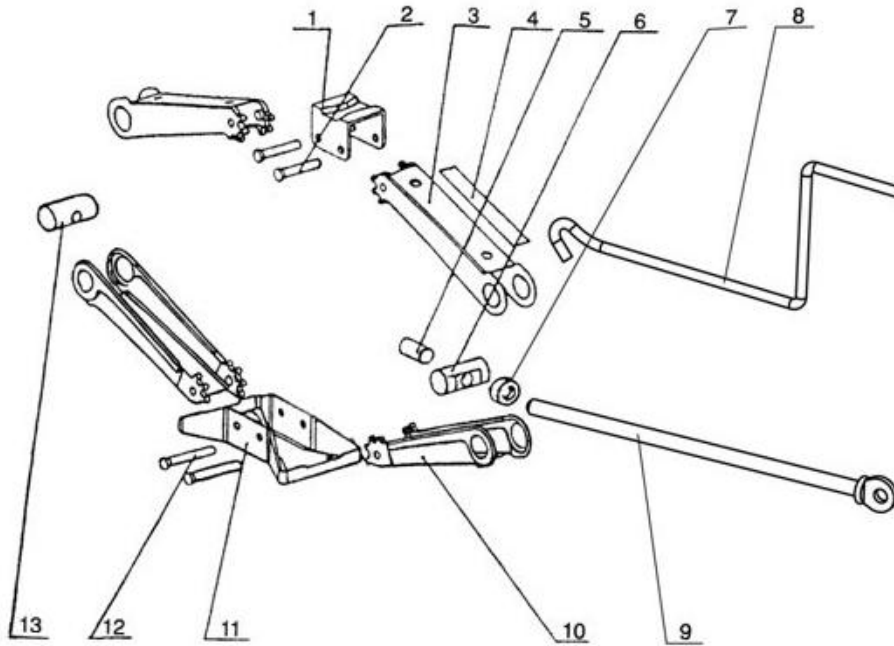
-Some models contain grease fittings the will regularly need to be greased and lubricated.

### **Storing the Jack**

1. Lower the Lifting Saddle in the full down position.
2. Store in a dry location, preferably indoors.
3. Store the handle with care.

**Note:** *If the jack is stored outdoors, be sure to lubricate all parts before and after use to ensure the jack stays in good working condition.*

## ASSEMBLY DIAGRAM



## PARTS LIST

Index #	Description	Part No.	Qty
1	Saddle	T10102-1	1
2	Rivet of Saddle	T10105-2	2
3	Upper Arm	T10105-4	2
4	Label	T10102-12	1
5	Collar	T10105-6	1
6	Bracket	T10105-5	1
7	Bearing	T10106.2	1
8	Handle	T10102H07	1
9	Threaded Rod	T10105.1	1
10	Lower Arm	T10105-7	2
11	Base	T10105-10	1
12	Rivet of Base	T10102-8	2
13	Nut	T10105-11	1

Safe Operating Temperature is between 40°F – 105°F (4°C - 41°C)

## REPLACEMENT PARTS

For replacement parts Customer Service at **1-800-222-5381**. Not all equipment components are available for replacement; illustrations provided are a convenient reference of location and position in the assembly sequence. When ordering parts the following will be required: Model Number, Serial Number and Description.

**The distributor reserves the rights to make design changes and or improvements to product lines and manuals without notice.**

For replacement parts and technical questions, please call 1-800-222-5381.

## **Limited Warranty**

### **Limited Warranty**

Northern Tool and Equipment Company, Inc. ("We" or "Us") warrants to the original purchaser only ("You" or "Your") that the Strongway product purchased will be free from material defects in both materials and workmanship, normal wear and tear excepted, for a period of one year from date of purchase. The foregoing warranty is valid only if the installation and use of the product is strictly in accordance with product instructions. There are no other warranties, express or implied, including the warranty of merchantability or fitness for a particular purpose. If the product does not comply with this limited warranty, Your sole and exclusive remedy is that We will, at our sole option and within a commercially reasonable time, either replace the product without charge to You or refund the purchase price (less shipping). This limited warranty is not transferable.

### **Limitations on the Warranty**

This limited warranty does not cover: (a) normal wear and tear; (b) damage through abuse, neglect, misuse, or as a result of any accident or in any other manner; (c) damage from misapplication, overloading, or improper installation; (d) improper maintenance and repair; and (e) product alteration in any manner by anyone other than Us, with the sole exception of alterations made pursuant to product instructions and in a workmanlike manner.

### **Obligations of Purchaser**

You must retain Your product purchase receipt to verify date of purchase and that You are the original purchaser. To make a warranty claim, contact Us at 1-800-222-5381, identify the product by make and model number, and follow the claim instructions that will be provided. The product and the purchase receipt must be provided to Us in order to process Your warranty claim. Any returned product that is replaced or refunded by Us becomes our property. You will be responsible for return shipping costs or costs related to Your return visit to a retail store.

### **Remedy Limits**

Product replacement or a refund of the purchase price is Your sole remedy under this limited warranty or any other warranty related to the product. We shall not be liable for: service or labor charges or damage to Your trailer incurred in removing or replacing the product; any damages, including, without limitation, damages to tangible personal property or personal injury, related to Your improper use, installation, or maintenance of the product; or any indirect, incidental or consequential damages of any kind for any reason.

### **Assumption of Risk**

You acknowledge and agree that any use of the product for any purpose other than the specified use(s) stated in the product instructions is at Your own risk.

### **Governing Law**

This limited warranty gives You specific legal rights, and You also may have other rights, which vary from state to state. Some states do not allow limitations or exclusions on implied warranties or incidental or consequential damages, so the above limitations may not apply to You. This limited warranty is governed by the laws of the State of Minnesota, without regard to rules pertaining to conflicts of law. The state courts located in Dakota County, Minnesota shall have exclusive jurisdiction for any disputes relating to this warranty.



Distributed by  
Northern Tool + Equipment Co., Inc.  
Burnsville, Minnesota 55306  
NorthernTool.com  
Made in China