



2-TON HIGH POSITION HOIST STAND

OWNER'S MANUAL



WARNING:

Read carefully and understand all **ASSEMBLY AND OPERATION INSTRUCTIONS** before operating. Failure to follow the safety rules and other basic safety precautions may result in serious personal injury.

Item# 46208

Thank you very much for choosing a Strongway product! For future reference, please complete the owner's record below:

Model: _____ Purchase Date: _____

Save the receipt, warranty and these instructions. It is important that you read the entire manual to become familiar with this product before you begin using it.

This machine is designed for certain applications only. The distributor cannot be responsible for issues arising from modification. We strongly recommend this machine not be modified and/or used for any application other than that for which it was designed. If you have any questions relative to a particular application, DO NOT use the machine until you have first contacted the distributor to determine if it can or should be performed on the product.

For technical questions please call **1-800-222-5381**.

INTENDED USE

This product is designed as a means of partial support for, and the positioning of, vehicle components during their installation/ removal, but not for use in stabilizing or supporting vehicles. For use ONLY under a properly secured automotive lift.

TECHNICAL SPECIFICATIONS

INTENDED USE

This product is designed as a means of partial support for, and the positioning of, vehicle components during their installation/ removal, but not for use in stabilizing or supporting vehicles. For use ONLY under a properly secured automotive lift.

TECHNICAL SPECIFICATIONS

	Description
Item	46208
Maximum Capacity	4000lbs.
Minimum Lift Height	48-3/4 inches
Maximum Lift Height	84-1/2 inches
Product Base Size	12in. x 12in.
Weight	42 lbs.

GENERAL SAFETY RULES

- ⚠ WARNING:** Read and understand all instructions. Failure to follow all instructions listed below may result in serious injury.
- ⚠ CAUTION:** Do not allow persons to operate or assemble this product until they have read this manual and have developed a thorough understanding of how the product works.
- ⚠ WARNING:** The warnings, cautions, and instructions discussed in this instruction manual cannot cover all possible conditions or situations that could occur. It must be understood by the operator that common sense and caution are factors that cannot be built into this product, but must be supplied by the operator.

GENERAL SAFETY RULES IMPORTANT SAFETY CONSIDERATIONS

INSPECTION

- Inspect product carefully before each use. Ensure the product is not damaged, excessively worn, or missing parts.
- Do not use the product unless it is properly lubricated.
- Using a product that is not in good clean working condition or properly lubricated may cause serious injury.
- Inspect the work area before each use. Make sure it is free and clear of any potential hazards.

DO NOT OPERATE OR REPAIR THIS EQUIPMENT WITHOUT READING THIS MANUAL.

To maintain this product and user safety, the responsibility of the owner is to read and follow these instructions.

- Inspect the equipment for proper operation and function.
- Keep instructions readily available for equipment operators.
- Make certain all equipment operators are properly trained; understand how to safely and correctly operate the unit.
- Allow unit operation only with all parts in place and operating properly.
- Use only genuine replacement parts.
- Service and maintain the unit only with authorized or approved replacement parts; negligence will make the equipment unsafe for use and void the warranty.
- Carefully inspect the unit on a regular basis and perform all maintenance as required.
- Store these instructions in a dry secure location for safe keeping.
- Keep all decals on the unit clean and visible.

SAFETY MARKINGS

⚠ WARNING!

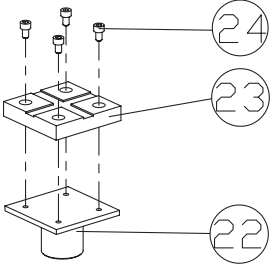
1. Study, understand, and follow all instructions before operating this device.
2. Do not exceed rated capacity.
3. Use only on hard, level surfaces, with less than 3 degrees of slope.
4. Center load on saddle.
5. Use stands in pairs to stabilize the vehicle before starting repairs.
6. No alterations shall be made to this product.
7. Support only on areas of the vehicle as specified by the vehicle manufacturer.
8. Only attachments and/or adapters supplied by the manufacturer shall be used.
9. Do not use High Reach Stands for any use other than the manufacturer specified usage.
10. Do not use if damaged in any way.
11. NEVER use High Reach Stands on a lawn mower or lawn tractor.
12. Do not move or dolly the vehicle while on support stands.
13. Do not rock the vehicle while working on or around equipment.
14. The following are not recommended for supporting on this equipment: Foundations, Homes, Mobile Homes, Trailers, RV's, Campers, nor Fifth Wheels, etc...
15. Failure to heed these markings may result in personal injury and/or property damage.

ASSEMBLY

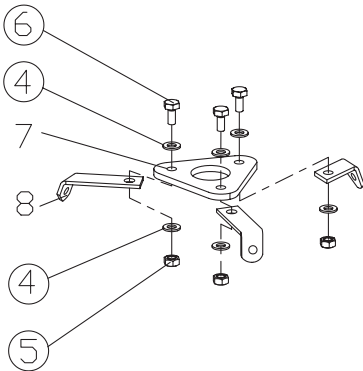
Use the exploded drawing as your guide to assemble. Lay all parts and assemblies out in front of you before beginning. The following procedure is recommended:

All numbers in parenthesis () refer to the index number from the parts breakdown.

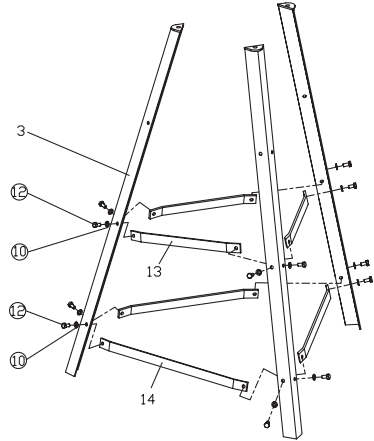
1. Mount the rubber pad (NO.23) with the saddle (NO.22), use screw (NO.24).



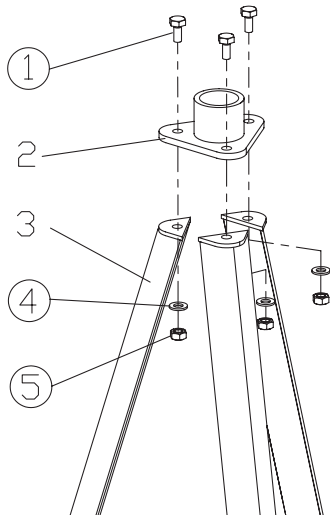
2. Connect the guide plate (NO.7) to the L-brackets (NO.8) with screws (NO.6), washers (NO.4) and nuts (NO.5), but do not tighten the screws.



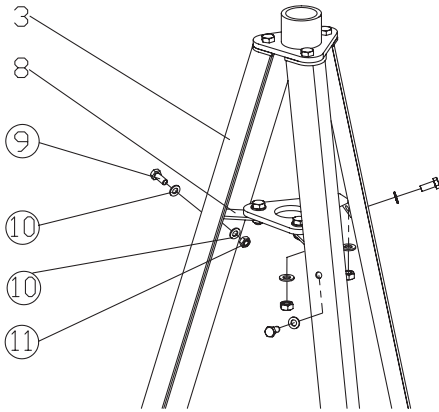
3. Attach the short pull rods (NO.13) and the long pull rods (NO.14) with the support bars (NO.3), using the screws (NO.12) and washers (NO.10).



4. Attach the saddle base (NO.2) with the support bars (NO.3), using the screws (NO.1), washers (NO.4) and the nuts (NO.5).



5. Mount the L-brackets (NO.8) with the support pillar (NO.3), using the screws (NO.9), washers (NO.10) and the nuts (NO.11), then tighten the screws .



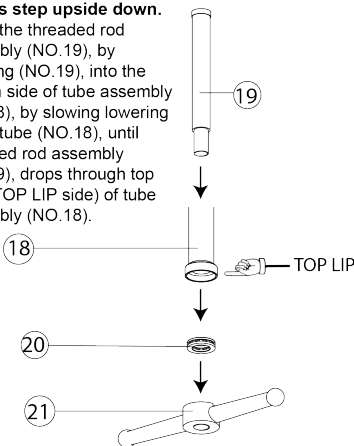
6. Do this step upside down.

Install the threaded rod assembly (NO.19), by inserting (NO.19), into the bottom side of tube assembly (NO.18), by slowing lowering inside tube (NO.18), until threaded rod assembly (NO.19), drops through top hole (TOP LIP side) of tube assembly (NO.18).

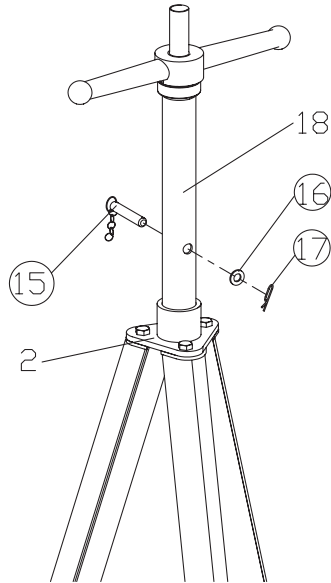
After threaded rod assembly has been inserted into tube install truss bearing assembly: first install the truss bearing (NO.20), after bearing (NO.20) has been installed and then screw handle (NO.21) to threaded rod assembly (NO.19). Secure and tighten before rotating pillar assembly.

Do this step upside down.

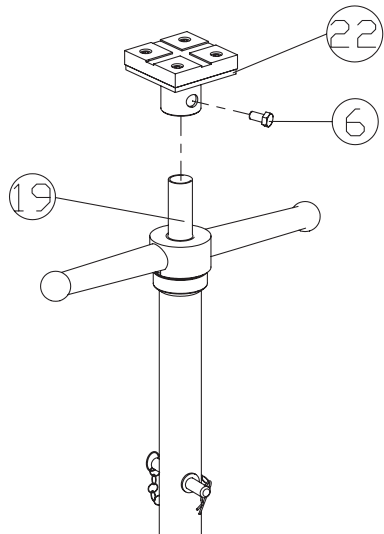
Install the threaded rod assembly (NO.19), by inserting (NO.19), into the bottom side of tube assembly (NO.18), by slowing lowering inside tube (NO.18), until threaded rod assembly (NO.19), drops through top hole (TOP LIP side) of tube assembly (NO.18).



7. Connect the outer pillar (NO.18) to the saddle base (NO.2). To adjust the position of the jack stand, use the Lock Bolt (NO.15), Washer (NO.16) and Hitch Pin Clip (NO.17).



8. Attach the saddle (NO.22) with the threaded rod assembly (NO.19) using the screw (NO.6).



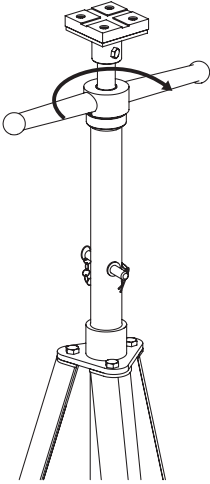
9. Check that all hardware is secure and tight.

10. Hoist Stand is now ready for use.

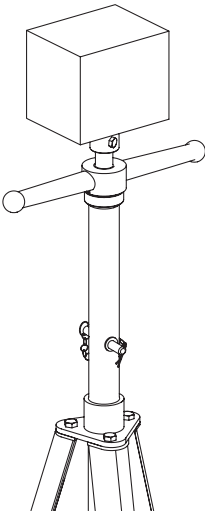
OPERATING INSTRUCTIONS

RAISING THE HOIST STAND

1. Adjust height by rotating the handle CLOCKWISE.

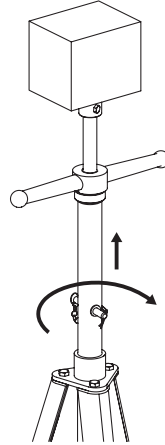


2. Check to ensure ratchet is secure before loading/un/loading.



3. Carefully position stand so that load is centered on stand's saddle.

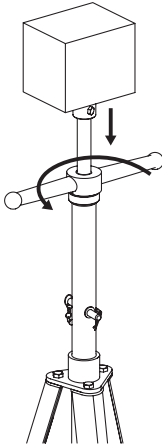
4. Raise saddle to vehicle support point vehicle, continue to rotate handle clockwise until load support point is secure. Do not raise any higher than load stability will allow.



5. Check to ensure vehicle is secure before working on, around or under.

LOWERING THE HOIST STAND

1. Ensure that all tools, equipment and personnel are clear before lowering load.
2. **DO NOT EVER LOWER STAND UNLESS VEHICLE AND COMPONENTS ARE 100% SUPPORTED SECURELY. DO NOT EVER ASSUME LOAD IS SECURE, CHECK BEFORE LOWERING.**
3. With vehicle securely supported on car lift, lower stand clear of support point.

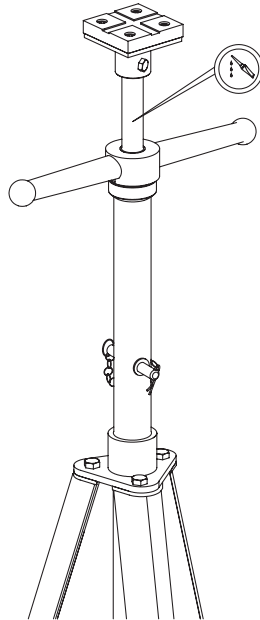


4. Carefully release stop pin and allow pillar to glide down to lowest position, re-insert stop pin.
5. Carefully remove stand, then carefully lower vehicle on car lift.

LUBRICATION

A periodic coating of light lubricating oil to pivot points will help to ensure that pump piston linkages move freely.

Note: Never apply oil to the saddle. If saddle extension threads require lubrication; clean thread surfaces with a clean, dry cloth, then apply a drop of bearing grease to the threads. Distribute as evenly as possible along the threaded post.



MAINTENANCE INSTRUCTIONS

- **Maintain your equipment.** It is recommended that the general condition of any equipment be examined before it is used. Keep your equipment in good repair by adopting a program of conscientious repair and maintenance. Have necessary repairs made by qualified service personnel.
- Follow the maintenance instructions carefully to keep your equipment in good working condition. Never perform any maintenance on the equipment while it is under a load.
 - a. All moving parts of the equipment should be regularly cleaned.
 - b. Lubricate parts as required by the manufacturer's specifications. The type of lubricant should be as specified by the manufacturer or a qualified person. Lubrication systems should be checked to verify proper operation.
 - c. If additional maintenance is required, it should be completed in accordance with the instructions of the manufacturer or qualified person.

Inspection

You should inspect the product for damage, wear, broken or missing parts (e.g.: pins) and that all components function before each use. Follow lubrication and storage instructions for optimum product performance. Check the climbing pins to make sure that they are not worn or damaged. Check that everything is good working condition and that nothing is blocking the holes. Do not use the equipment unless it is in good working condition.

Binding

If the product binds while under a load, use equipment with equal or a larger load capacity to lower the load safely to the ground. After un-binding; clean, lubricate and test that equipment is working properly. Rusty components, dirt, or worn parts can be causes of binding Clean and lubricate the equipment as indicated in the lubrication section. Test the equipment without a load. If the binding continues, contact Customer Service.

IF YOUR EQUIPMENT BINDS

As your equipment becomes older, the threads may start binding. This will prevent the equipment from operating properly and safely. Rusty threads, dirty threads, or a worn threads can cause binding. Clean and lubricate the equipment. Test the equipment without a load. If the binding continues, refer to the after sale parts and service. If your equipment binds while under a load, use equipment with equal or larger load capacity to lower the load safely to the ground.

Cleaning

If the moving parts of the equipment are obstructed, use cleaning solvent or another good degreaser to clean the equipment. Remove any existing rust, with a penetrating lubricant.

Do not use motor oil to lubricate the equipment

Rust Prevention:

Check daily for any signs of rust or corrosion.

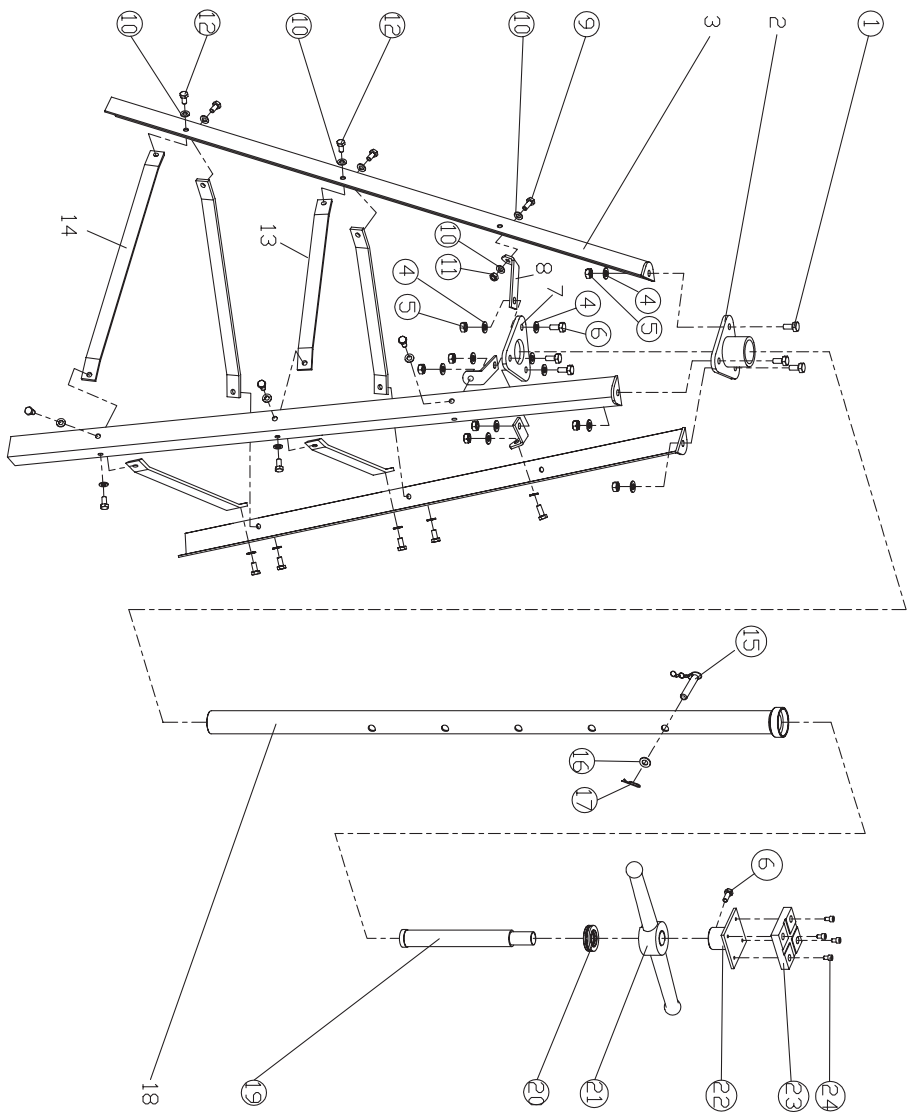
Without a load check for signs of rust that are visible and clean as needed.

Storing the Equipment

1. Store in a dry location, recommended indoors.
2. Equipment should be stored in an area where they will not be subjected to damage.
3. If extreme temperatures or chemically active or abrasive environments are involved, the guidance provided in shall be followed.
4. Temperature - When equipment are to be used at temperatures above 140°F (60°C) or below -20°F (-29°C), the equipment manufacturer or a qualified person should be consulted.
5. Chemically Active Environments -The strength and operation of equipment can be affected by chemically active environments such as caustic or acid substances or fumes. The equipment manufacturer or a qualified person should be consulted before equipment are used in chemically active environments.
6. Other Environments - The internal workings of equipment can be affected by high moisture, gravel or sand, silt, grit, or other dust-laden air. Equipment subject to these environments should have their inner components frequently cleaned, inspected, and lubricated.

Note: If the equipment is stored outdoors, be sure to lubricate all parts before and after use to ensure the equipment stays in good working condition.

PARTS DIAGRAM



PARTS LIST

REF#	PART#	DESCRIPTION	Qty
1	GB5781-M10x25	Hex head screw M10x25mm	3
2		Saddle base	1
3		Support bar	3
4	GB97.1-M10	Washer M10	9
5	GB6170-M10	Nut M10	6
6	GB5781-M10x20	Hex head screw M10x20mm	4
7		Guide plate	1
8		L-bracket	3
9	GB5781-M8x20	Hex head screw M8x20mm	3
10	GB97.1-M8	Washer M8	18
11	GB6170-M8	Nut M8	3
12	GB5781-M8x16	Hex head screw M8x16mm	12
13		Short pull rod	3
14		Long Pull rod	3
15	TRF42009-1	Lock bolt Ø12x72mm	1
16	GB97.1-M12	Washer M12	1
17	TRF42009-2	Hitch Pin Clip Ø1.5x30mm	1
18		Center Pillar	1
19	TRF42009.1	Threaded rod assembly	1
20	GB/T 273.2	Turst bearing 51106 Ø47xØ30x11mm	1
21	TRF42009.2	Handle	1
22	TRF42009.3	Saddle	1
23	TRF42009-3	Rubber pad	1
24	GB70.1-M6x10	Socket head cap screw M6x10mm	4

Safe Operating Temperature is between 40°F – 105°F (4°C - 41°C)

WARRANTY NOTICE

For replacement parts Customer Service at 1-800-222-5381. Not all equipment components are available for replacement; illustrations provided are a convenient reference of location and position in the assembly sequence. When ordering parts the following will be required: Model Number, Serial Number and Description. The distributor reserves the rights to make design changes and or improvements to product lines and manuals without notice.

For replacement parts and technical questions, please call 1-800-222-5381.

Not all equipment components are available for replacement; illustrations provided are a convenient reference of location and position in the assembly sequence. Images shown are for reference and may differ from actual product.

The manufacturer reserves the rights to make design changes and or improvements to product lines and manuals without notice.

Limited Warranty

Limited Warranty

Northern Tool and Equipment Company, Inc. ("We" or "Us") warrants to the original purchaser only ("You" or "Your") that the Strongway product purchased will be free from material defects in both materials and workmanship, normal wear and tear excepted, for a period of one year from date of purchase. The foregoing warranty is valid only if the installation and use of the product is strictly in accordance with product instructions. There are no other warranties, express or implied, including the warranty of merchantability or fitness for a particular purpose. If the product does not comply with this limited warranty, Your sole and exclusive remedy is that We will, at our sole option and within a commercially reasonable time, either replace the product without charge to You or refund the purchase price (less shipping). This limited warranty is not transferable.

Limitations on the Warranty

This limited warranty does not cover: (a) normal wear and tear; (b) damage through abuse, neglect, misuse, or as a result of any accident or in any other manner; (c) damage from misapplication, overloading, or improper installation; (d) improper maintenance and repair; and (e) product alteration in any manner by anyone other than Us, with the sole exception of alterations made pursuant to product instructions and in a workmanlike manner.

Obligations of Purchaser

You must retain Your product purchase receipt to verify date of purchase and that You are the original purchaser. To make a warranty claim, contact Us at 1-800-222-5381, identify the product by make and model number, and follow the claim instructions that will be provided. The product and the purchase receipt must be provided to Us in order to process Your warranty claim. Any returned product that is replaced or refunded by Us becomes our property. You will be responsible for return shipping costs or costs related to Your return visit to a retail store.

Remedy Limits

Product replacement or a refund of the purchase price is Your sole remedy under this limited warranty or any other warranty related to the product. We shall not be liable for: service or labor charges or damage to Your trailer incurred in removing or replacing the product; any damages, including, without limitation, damages to tangible personal property or personal injury, related to Your improper use, installation, or maintenance of the product; or any indirect, incidental or consequential damages of any kind for any reason.

Assumption of Risk

You acknowledge and agree that any use of the product for any purpose other than the specified use(s) stated in the product instructions is at Your own risk.

Governing Law

This limited warranty gives You specific legal rights, and You also may have other rights, which vary from state to state. Some states do not allow limitations or exclusions on implied warranties or incidental or consequential damages, so the above limitations may not apply to You. This limited warranty is governed by the laws of the State of Minnesota, without regard to rules pertaining to conflicts of law. The state courts located in Dakota County, Minnesota shall have exclusive jurisdiction for any disputes relating to this warranty.



Distributed by
Northern Tool + Equipment Co., Inc.
Burnsville, Minnesota 55306
NorthernTool.com
Made in China