



Technical data

Voltage	U	120	V
Phase		1	~
Frequency	f	60	Hz
Speed	n	1070	RPM
Power consumption	P _e	710	W
Nominal current	I _{nom}	5.9	A
Maximum current	I _{max}	6.7	A
Cos φ		0.96	
Capacitor		56/250	μF/V
Ambient temperature	T _{amb min/max}	-13...104	°F
Insulation Class		CL.F	
IP Class		IP55	
Weight		30.4	Lbs.

Fan details

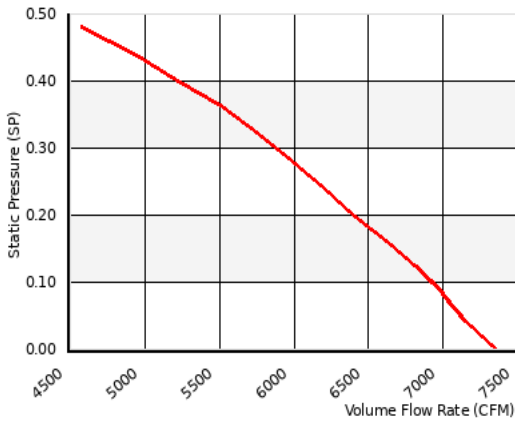
Impeller blades	5
Impeller type	S
Impeller system	G
Impeller material	PG

Control options

Triac controller	Yes
Transformer	Yes
Frequency drive	No

Characteristics

0.00 in. wg 7360 CFM
 0.20 in. wg 6410 CFM



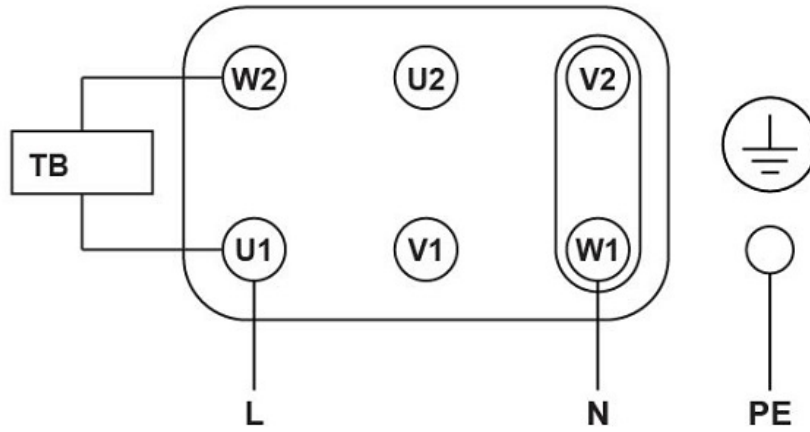
Please note: Picture may deviate from original product

Approval(s)



Wiring diagram

C1 - 1 Phase - Standard - CCW

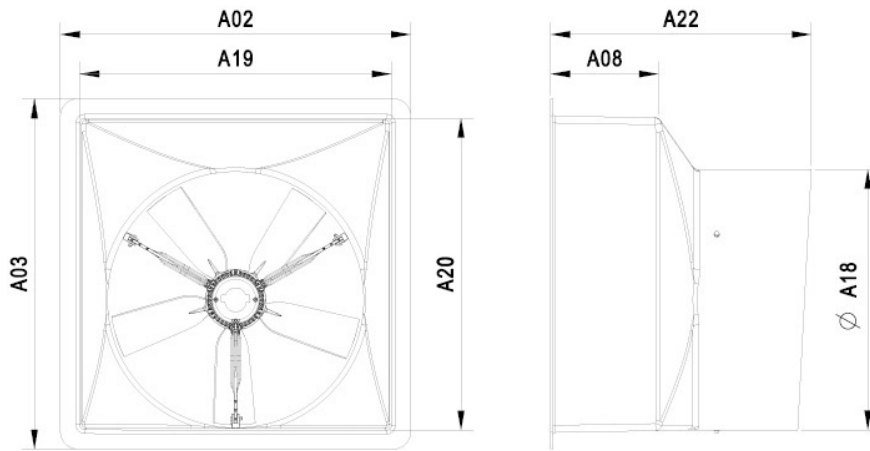


S0000010695A

Article number: S4246E11

Tube mounting fans

Dimensions



A02:	35.8 inch
A03:	35.8 inch
A09:	9.0 inch
A18:	25.0 inch
A19:	31.5 inch
A20:	21.5 inch
A22:	27.6 inch