



Technical data

Voltage	U	240	V
Phase		1	~
Frequency	f	60	Hz
Speed	n	1100	RPM
Power consumption	P _e	660	W
Nominal current	I _{nom}	2.8	A
Maximum current	I _{max}	3.1	A
Cos φ		0.99	
Capacitor		16/400	μF/V
Ambient temperature	T _{amb min/max}	-13...104	°F
Insulation Class		CL.F	
IP Class		IP55	
Sound pressure level (6.6 ft)	L _{p (meas.)}	72	db(A)
Sound pressure level (23 ft)	L _{p (calc.)}	61	db(A)
Weight		29.9	Lbs.

Fan details

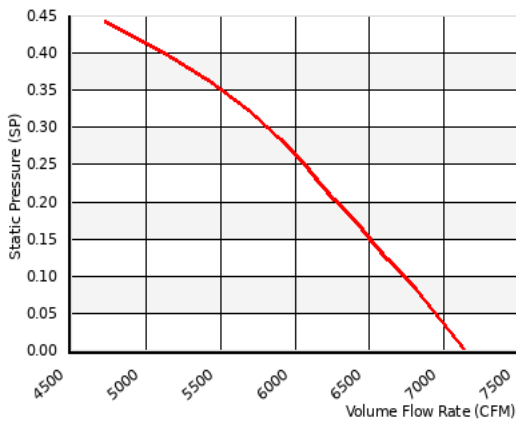
Impeller blades	5
Impeller type	5
Impeller system	G
Impeller material	PG

Control options

Triac controller	Yes
Transformer	Yes
Frequency drive	No

Characteristics

0.00 in. wg	7120 CFM
0.20 in. wg	6300 CFM



Please note: Picture may deviate from original product

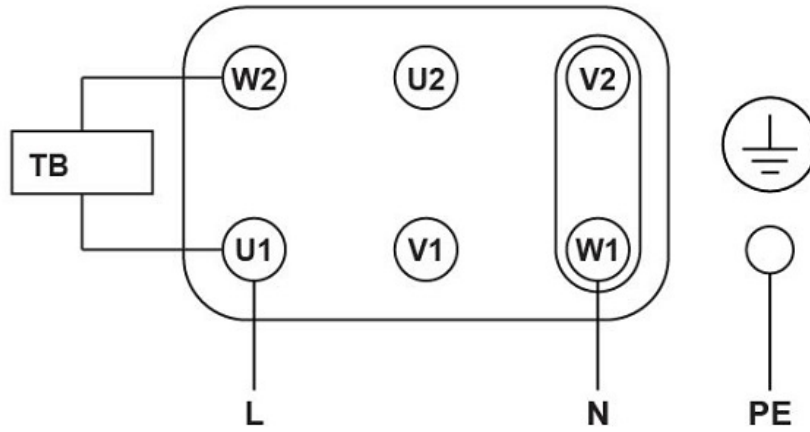
Approval(s)

Motor approval



Wiring diagram

C1 - 1 Phase - Standard - CCW

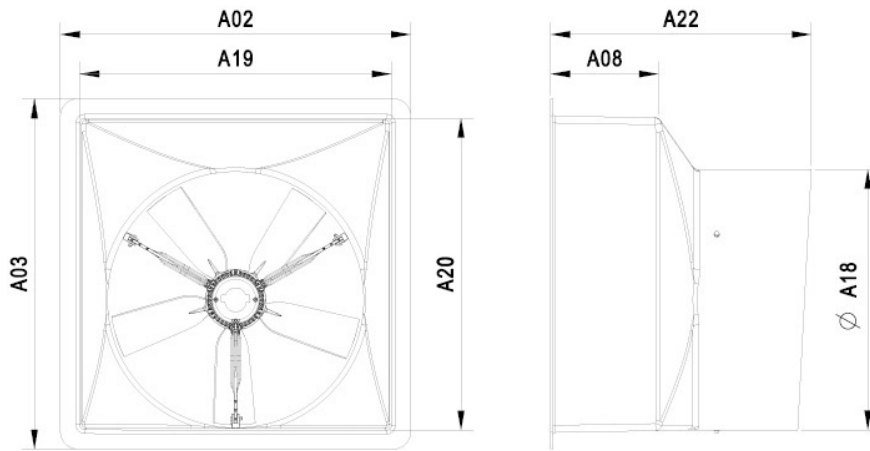


S0000010695A

Article number: S4246E2I

Tube mounting fans

Dimensions



A02:	35.8 inch
A03:	35.8 inch
A09:	9.0 inch
A18:	25.0 inch
A19:	31.5 inch
A20:	21.5 inch
A22:	27.6 inch