

SKID STEER MOUNT SNOW BLADE

Operation and Parts Manual

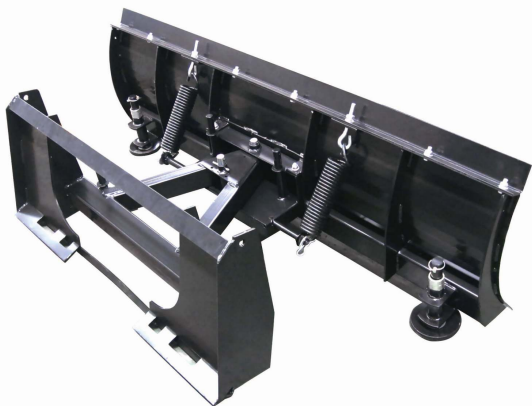


Table of Contents

| | |
|--|----|
| Safety First | 3 |
| Equipment Safety | 4 |
| Preparation | 5 |
| Operational Safety | 5 |
| Transport Safety | 8 |
| Maintenance Safety | 8 |
| Storage Safety | 9 |
| Safety Decal | 10 |
| Assembly / Installation | 11 |
| Quick Attach | 11 |
| Skid Steer Snow Blade Installation / Removal | 11 |
| General and operator Safety | 12 |
| Snow Blade Operation | 13 |
| Operating Tips | 14 |
| Transporting | 14 |
| Maintenance | 15 |
| Storage | 15 |
| Skid Steer Mount Snow Blade Parts Diagram | 16 |
| Skid Steer Mount Snow Blade Parts List | 17 |

SNOW BLADES FOR SKID STEER AND TRACTOR FRONT LOADERS

TO THE OWNER

Thank you for purchasing Snow Blade for Skid Steer and Tractor Front Loader.

Snow Blades for Skid Steer and Tractor Front Loaders have been designed to provide many years of profitable and dependable service. To assure maximum performance of your Snow Blade for Skid Steer and Tractor Front Loader, it is mandatory that you thoroughly study the operator's manual and follow its recommendations. Proper operation and maintenance are essential for safety, to maintain performance, and to maximize the life of the Snow Blade for Skid Steer and Tractor Front Loader.

It is the owner's responsibility to:

- Operate and maintain this Snow Blade for Skid Steer and Tractor Front Loader in a safe manner and in accordance with all applicable local, state, and federal codes and/or laws; and in compliance with labeling instructions furnished by the supplier of the chemical being used.
- Make sure each and every operator has read the operator's manual and thoroughly understands safe and correct operating procedures.
- Make sure unauthorized people do not operate or are not in the vicinity of the Snow Blade for Skid Steer and Tractor Front Loader while it is in operation.
- Maintain the Snow Blade for Skid Steer and Tractor Front Loader in accordance with the maintenance schedule in this manual. Furthermore, as additional technology becomes available, the owner is responsible for improving the safety and reliability of the system.

Abuse or modifications to the Snow Blade for Skid Steer and Tractor Front Loader that change the performance other than original factory specifications void the warranty.

The owner, manager and/or operator is responsible for safe, accurate operation and maintenance of the Snow Blade for Skid Steer and Tractor Front Loader.

Safety First

Accidents can be prevented by recognizing the causes or hazards before an accident occurs . . . and doing something about them.

Regardless of the care used in the design and construction of this equipment, there are some areas that cannot be completely safeguarded without interfering with the accessibility and efficiency of operation.



THIS MESSAGE ALERT SYMBOL IDENTIFIES IMPORTANT MESSAGES IN THIS MANUAL. WHEN YOU SEE THIS SYMBOL, BE ALERT TO THE POSSIBILITY OF PERSONAL INJURY AND CAREFULLY READ THE MESSAGE THAT FOLLOWS.

In this manual and on labels used on the machine the words "DANGER", "WARNING", and "CAUTION", are used to indicate the following:

- DANGER:** Indicates an imminently hazardous situation that, if not avoided, will result in death or serious injury.
- WARNING:** Indicates a potentially hazardous situation that, if not avoided, could result in death or serious injury.
- CAUTION:** Indicates a potentially hazardous situation that, if not avoided, may result in minor or moderate injury.



CAUTION

THE FOLLOWING SAFETY PRECAUTIONS SHOULD BE THOROUGHLY UNDERSTOOD BEFORE ATTEMPTING TO BEGIN ASSEMBLING THIS MACHINE

1. Select an area for assembly that is clean and free of any debris which might cause persons working on the assembly to trip.
2. Do not lift heavy parts or assemblies. Use crane, jack, tackle, fork trucks or other mechanical devices.
3. Preview the assembly instructions in your operator's manual before proceeding further.
4. If the assembly instructions call for parts or assemblies to be blocked up, use only blocking material that is in good condition and is capable of handling the weight of the assembly to be blocked. Also insure that the blocking material is on a clean, dry surface.
5. Never put hands, or any part of body, under blocked up assemblies if at all possible.
6. After completing assembly, thoroughly inspect the machine to be sure that all nuts, bolts, hydraulic fittings or any other fastened assemblies have been thoroughly tightened.
7. Before operating the machine, thoroughly read the operation section of your operator's manual.
8. Before operating, read the maintenance section of your operator's manual to be sure that any parts requiring lubrication, such as gearboxes, are full, to avoid any possible damage.
9. Before operating equipment – If you have any questions regarding the proper assembly or operation, contact your dealer or representative.

1. If any safety device on the Snow Blade for Skid Steer and Tractor Front Loader itself is not functioning properly, DO NOT use the Snow Blade for Skid Steer and Tractor Front Loader. Remove it from service until it has been properly repaired by a qualified service technician.
2. Do not allow the following people to operate or repair this equipment.
 - Children
 - Irresponsible persons
 - People under the influence of alcohol, medications or other drugs that can cause drowsiness or impaired judgement.
 - Persons unfamiliar with equipment or people who are careless or unfamiliar with safe operating procedures.
3. Always park the Snow Blade for Skid Steer and Tractor Front Loader on a level surface, and lock the tractor brakes, or block the tires, before making adjustments or repairs.
4. Before operating this equipment, thoroughly inspect the unit to ensure it is in good working order.
5. Do not operate this unit if any defect or malfunction exists. Pay particular attention to safety features.
6. Verify that the Snow Blade for Skid Steer and Tractor Front Loader is securely hitched to the tractor.
7. Do not replace components or parts with those other than genuine factory service parts. To do so may reduce the effectiveness of safety features or decrease the accuracy of the unit.
8. Read the Operation Instructions section of this manual for further necessary information relating to the safe operation of the applicator.

Equipment Safety Guidelines

- Safety of the operator is one of the main concerns in designing and developing a new piece of equipment. Designers and manufacturers build in as many safety features as possible. However, every year many accidents occur which could have been avoided by a few seconds of thought and a more careful approach to handling equipment. You, the operator, can avoid many accidents by observing the following precautions in this section. To avoid personal injury, study the following precautions and insist those working with you, or for you, follow them.
- In order to provide a better view, certain photographs or illustrations in this manual may show an assembly with a safety shield removed. However, equipment should never be operated in this condition. Keep all shields in place. If shield removal becomes necessary for repairs, replace the shield prior to use.
- Replace any CAUTION, WARNING, DANGER or instruction safety decal that is not readable or is missing.
- Location of such safety decals is indicated in this booklet.
- Never use alcoholic beverages or drugs which can hinder alertness or coordination while operating this equipment. Consult your doctor about operating this machine while taking prescription medications.
- Review the safety instructions with all users annually.

- This equipment is dangerous to children and persons unfamiliar with its operation. The operator should be a responsible adult familiar with farm machinery and trained in this equipment's operations. **Do not allow persons to operate or assemble this unit until they have read this manual and have developed a thorough understanding of the safety precautions and of how it works.**
- To prevent injury or death, use a tractor or skid steer equipped with a roll-over protective system (ROPS). Do not paint over, remove or deface any safety decals or warning signs on your equipment. Observe all safety decals and practice the instruction on them.
- Never exceed the limits of a piece of machinery. If its ability to do a job, or to do so safely, is in question – DON'T TRY IT.
- Do not modify the equipment in any way. Unauthorized modification may impair the function and/or safety and could affect the life of the equipment.
- In addition to the design and configuration of this implement, including Safety decals and safety equipment, hazard control and accident prevention are dependent upon the awareness, concern, prudence, and proper training of personnel involved in the operation, transport, maintenance, and storage of the machine. Refer also to safety messages and operation instructions in each of the appropriate sections of the power unit and snow blade unit manuals. Pay close attention to the safety decals affixed to the power unit and the snow blade unit.

Preparation

- Personal protection equipment including hard hat, safety glasses, sturdy rough-soled safety shoes, and gloves are recommended during assembly, installation, operation, adjustment, maintaining, repairing, removal, or moving the implement. Do not allow long hair, loose fitting clothing or jewelry to be around moving parts.
- **PROLONGED EXPOSURE TO LOUD NOISE MAY CAUSE PERMANENT HEARING LOSS!**
Tractor/power units with or without implements attached can often be noisy enough to cause permanent, partial hearing loss. We recommend that you wear hearing protection on a full-time basis if the noise in the operator's position exceeds 80 db. Noise over 85 db on a long-term basis can cause severe hearing loss. Noise over 90 db adjacent to the operator over a long-term basis may cause permanent, total hearing loss. **NOTE:** Hearing loss from loud noise (from tractors, chain saws, radios, and other such sources close to the ear) is cumulative over a lifetime without hope of natural recovery.
- Operate the snow blade only with a tractor/power unit equipped with an approved roll-over protective system (ROPS). Always wear your seat belt on tractors equipped with a ROPS. Serious injury or even death could result from falling off the tractor – particularly during a turnover when the operator could be pinned under the ROPS or the tractor. Keep foldable ROPS systems in "locked up" position at all times.
- Operate only in daylight or good artificial light.
- Ensure that all safety shielding and safety decals are properly installed and in good condition.

Operational Safety

- The use of this equipment is subject to certain hazards that cannot be protected against by mechanical means or product design. All operators of this equipment must read and understand this entire manual, paying particular attention to safety and operating instructions, prior to using. If there is something in this manual you do not understand, ask your supervisor, or your dealer, to explain it to you.

- Most accidents occur because of neglect or carelessness. Keep all helpers and bystanders fifty feet (50') from an operating power unit and attached equipment. Only properly trained people should operate this machine. It is recommended the tractor be equipped with a Rollover Protection System (ROPS) and a seat belt that is used. Always stop the tractor, skid steer, or forklift, set brake, shut off the engine, remove the ignition key, and lower loader and attachment to the ground before dismounting. Never leave equipment unattended with the engine running.
- Please remember it is important that you read and heed the safety signs on the front loader attachment and loader, and the safety rules set forth. Clean or replace all safety signs if they cannot be clearly read and understood. They are there for your safety as well as the safety of others. The safe use of this machine is strictly up to you, the operator.
- Be sure power unit is in good condition. Read all the safety precautions and make sure all operators are familiar with the safety rules of operation. Working with unfamiliar equipment can lead to careless injuries. It is the equipment owner's responsibility, if this machine is used by any person other than yourself, is loaned or rented, to make certain that the operator, prior to operating:

1. Reads and understands the operator's manuals.
2. Is instructed in safe and proper use.

- Train all new personnel and review instructions frequently with existing workers. A person who has not read and understood all operating and safety instructions is not qualified to operate the machine. An untrained operator exposes himself and bystanders to possible serious injury or death.
- Do not allow children to operate this machine.
- Know your controls and how to stop the power unit and engine quickly in an emergency. **READ THIS MANUAL AND THE ONE PROVIDED WITH YOUR TRACTOR AND LOADER, OR SKID STEER.**
- When the use of hand tools is required to perform any part of assembly, installation, adjustment, maintaining, repairing, removal, or moving the implement, be sure the tools used are designed and recommended by the tool manufacturer for that specific task. Personal protection equipment including safety glasses, safety shoes, and gloves are recommended during assembly, installation, operation, adjustment, maintaining, repairing, removal, or moving the attachment.
- Always use two people to handle heavy, unwieldy components during assembly, installation, removal, or moving the loader attachment.
- Never place any part of your body where it would be in danger if movement should occur during assembly, installation, operation, maintaining, repairing, removal, or moving the implement.
- The use of any loader attachment is NOT recommended on tractor with a tricycle wheel arrangement. Tricycle type tractors are unstable for front loader use.
- A heavy load can cause instability in driving a power unit. Make sure the front or rear of the power unit is properly counter-balanced with weights. Always drive slowly – especially around turns. An unstable power unit could steer badly and possibly tip over, causing injury or death.
- Do not allow others to ride on the power unit with an operator. Riders are subject to injury such as being struck by foreign objects or being thrown off. Riders obstruct the operator's view resulting in unsafe operation. Never allow anyone to ride on the implement! Keep all bystanders at a safe distance.

- Before you operate any equipment, check over all pins, bolts and connections to be sure all are securely in place. Replace any damaged or worn parts immediately.
- Check that this attachment is securely mounted to the loader. Failure to install lock pins or have the latching mechanism engaged could result in injury or death.
- Do not work under a raised loader unless it is securely blocked or held in position. Do not depend on the power unit hydraulic system to hold the implement in place.
- Operate the loader controls smoothly, avoiding jerky operation. Stop loader gradually when lowering or lifting loads.
- Beware of low electrical wires when loader is raised. Serious injury or death can result if contact is made.
- Only use a power unit equipped with a ROPS cab or rollover protective structure. Keep foldable ROPS systems in "locked up" position at all times. Keep seat belt fastened. Be certain the power unit is in neutral or park position before starting engine.
- Always shut off power unit and shift to "Park" or set brakes when leaving unit. Always lower bucket or attachment to ground, relieve all hydraulic pressure. Remove key when leaving equipment unattended. Park in level area.
- Keep alert and watch the rear as well as the front when working with the loader. Beware of lift clearance when raising loader to maximum height.
- When maneuvering close to buildings or passing through narrow areas, be sure to allow sufficient clearance for the power unit, loader, and attachment. Drive slowly.
- Operate loader from operator's seat only. Remain at controls until operating cycle is complete.
- Do not operate close to ditches, creeks or holes. Slow down when operating over rough surface. Use extreme caution when backfilling deep holes, trenches or working on inclines and hillsides.
- Allow for additional length of loader and attachment on power unit while turning.
- Do not lift or carry anyone on loader or in bucket or on attachment.
- When removing or changing the angle, be sure that your feet are never under the blade. Keep hands and feet away from blade pivot points and from under blade edge. Make adjustments only when the implement is attached to the power unit.
- Do NOT exceed 10 miles per hour when operating. Avoid excessive speed during operation.
- When moving snow, do not operate with the blade in the locked position.
- Never lift blade above the operator's eye level or to a height where visibility is obstructed.
- When using the blade, use extra care. Do not ram blade into piles of dirt or snow. Ramming can also dislodge operator from seat and/or tractor controls, resulting in possible serious injury or death.
- Always ease the tractor into the load. It may be necessary to reposition and take less "bite" on the material to move it safely.
- ALWAYS lower loader to the ground or block securely before performing any maintenance work.
- Inspect the entire machine periodically as indicated in the Maintenance Section of this manual. Look for loose fasteners, worn or broken parts, pinched hydraulic hoses, and leaky or loose fittings. Make sure all pins have cotter pins and washers. Serious injury may occur from not maintaining this machine in good working order.

Transport Safety

- Comply with provincial, state and local laws governing highway safety and movement of farm machinery on public roads.
- The use of flashing amber lights is acceptable in most localities. However, some localities prohibit their use. Local laws should be checked for all highway lighting and marking requirements.
- When driving the power unit and equipment on the road or highway under 20 mph (32 kph) at night or during the day, use flashing amber warning lights and a slow moving vehicle (SMV) identification emblem.
- Always be sure the implement is in the proper raised position for transport.
- Reduce speed when transporting mounted implements to avoid bouncing and momentary loss of steering control.
- Plan your route to avoid heavy traffic.
- Always install transport locks, pins or brackets before transporting.
- Do not drink and drive!
- Watch for traffic when operating near or crossing roadways.
- Turn curves or go up or down hills only at a low speed and at a gradual steering angle. Slow down on rough or uneven surfaces, and loose gravel.
- Use extreme care and maintain minimum ground speed when transporting on hillside, over rough ground and when operating close to ditches or fences. Be careful when turning sharp corners.
- Never allow riders on either power unit or implement. Falling off can kill.
- Be a safe and courteous driver. Always yield to oncoming traffic in all situations, including narrow bridges, intersections, etc.
- Do not exceed 20 mph (32 kph). Reduce speed on rough roads and surfaces.

Maintenance Safety

Good maintenance is your responsibility. Poor maintenance is an invitation to trouble.

- Before working on this machine, drive to a level area, disengage the PTO, lower implement or loader (or if working underneath, raise and block securely), shut off the engine, relieve all hydraulic pressure, set the brakes, and remove the ignition keys.
- Never work under equipment unless it is blocked securely. Never depend on hydraulic system to keep implement in raised position.
- Do not use blocking made of concrete blocks, logs, buckets, barrels or any other material that could suddenly collapse or shift positions. Use only good quality blocking material.
- Never operate controls from the ground. Operate the controls only from the operator's station.
- Keep all persons away from operator control area while performing adjustments, service, or maintenance.
- Always use personal protection devices such as eye, hand and hearing protectors, when performing any service or maintenance.

- Periodically tighten all bolts, nuts and screws and check that all cotter pins are properly installed to ensure unit is in a safe condition.
- When completing a maintenance or service function, make sure all safety shields and devices are installed before placing unit in service.
- After servicing, be sure all tools, parts and service equipment are removed.
- Check to ensure all safety signs are installed and in good condition. (See safety sign section for location drawing.)
- Do not allow grease or oil to build up on any deck or platform.
- Never replace hex bolts with less than grade five bolts unless otherwise specified, i.e. shear bolts. Refer to bolt torque chart for head identification marking.
- A fire extinguisher and first aid kit should be kept readily accessible while performing maintenance on this equipment.

If equipment has been altered in any way from original design, the manufacturer does not accept any liability for injury or warranty.

Storage Safety

- Following operation or when unhooking, stop the tractor, set the brakes, shut off the engine, relieve all hydraulic pressure and remove the ignition keys.
- Store the unit in an area away from human activity. Do not permit children to play on or around the stored unit.
- Do not park equipment where it will be exposed to livestock for long periods of time. Damage and livestock injury could result.
- Make sure all parked machines are on a hard, level surface and engage all safety devices. Storage location should be level and solid to make connecting and unconnecting to power unit easy.
- If blocking is used, make sure it is solid and secure before leaving area.

PLACEMENT OR REPLACEMENT OF SAFETY SIGNS

1. Clean the area of application with non-flammable solvent, and then wash the same area with soap and water.
2. Allow the surface to fully dry.
3. Remove the backing from the safety sign, exposing the adhesive surface.
4. Apply the safety sign to the position shown in the diagram above and smooth out any bubbles.

INSTRUCTIONS

- Keep all safety signs clean and legible.
- Replace all missing, illegible, or damaged safety signs.
- Replacement parts for parts with safety signs attached must also have safety signs attached.

Safety Decals

BE CAREFUL!

Use a clean, damp cloth to clean safety decals. Avoid spraying to close to decals when using a pressure washer; high-pressure water can enter through very small scratches or under edges of decals causing them to peel or come off.

REMEMBER: If safety decals have been damaged, removed, become illegible or parts replaced without decals, new safety decals must be applied. New safety decals are available from your authorized distributor or factory.

⚠ WARNING

TO AVOID SERIOUS INJURY OR DEATH:

- Read Operator's Manual before operating, servicing or repairing equipment. Follow all safety rules and instructions. (Manuals are available from your selling dealer.)
- Never allow riders.
- Keep bystanders away from equipment during operation.
- Operate from operator's seat only.
- Keep all shields in place and in good condition.
- Lower equipment to ground, stop engine, remove key and set brake before dismounting power unit.
- Never allow children or untrained persons to operate equipment.

FAILURE TO FOLLOW THESE INSTRUCTIONS CAN RESULT IN INJURY OR DEATH.

1

⚠ WARNING




HIGH-PRESSURE FLUID HAZARD

To prevent serious injury or death:

- Relieve pressure on system before repairing or adjusting or disconnecting.
- Wear proper hand and eye protection when searching for leaks. Use wood or cardboard instead of hands.
- Keep all components in good repair.

3

⚠ WARNING



CRUSHING AND PINCHING HAZARD

- Be extremely careful with various parts of the machine. Pivoting blade can crush or pinch body parts.
- Operate controls from operator's seat only.
- Make sure parking brake is engaged before leaving operator's seat.
- Stand clear of machine while in operation or when it is being raised or lowered.

FAILURE TO FOLLOW THESE INSTRUCTIONS COULD RESULT IN SERIOUS INJURY OR DEATH.

2



⚠ CAUTION

NO STEP

Enter from right side

4

Assembly / Installation

This unit is shipped partially assembled. Carefully follow instructions for final assembly.

Refer to the "exploded view" of the skid steer mounted snow blade on page 16 of this manual. Become familiar with the relationship of the various components and parts shown.

Before attempting assembly check the following items. Having all the needed parts and equipment readily at hand will speed up your assembly task and will make the job as safe as possible.

- Check for fasteners and pins that were shipped with the Snow Blade.
- Have a fork lift or loader along with chains and safety stands that are sized for the job ready for the assembly task.
- Have a minimum of 2 people at hand during assembly.
- Check to see that all nuts are tightened properly.

Remove the bucket from your front end loader or skid steer. Check your loader to make sure it is in good working order. Check all frame mounting bolts to make sure they are tight.

Loaders that attach to the tractor frame rails should have a cross-tie installed for stability.

Quick Attach

If your tractor loader has a bucket Quick Attach feature, check with your dealer on the availability of adapter brackets for your brand and model loader.

Measure the width of the front adapter on your loader and locate the Quick Attach brackets on the main frame. Locate these brackets so the main frame will be centered on your loader.

Tighten the U-bolts that connect the brackets to the main frame.

Some popular front loaders are offered with a "skid steer universal quick-attach" to connect the bucket or other front loader attachments.

Skid Steer Snow Blade Installation / Removal

To install:

1. Read and understand skid steer or loader manufacturer's instructions for installing attachments.
2. Make sure attachment pins are in "unlock" position in skid steer mounting plate.
3. Line up skid steer and snow blade on level ground.
4. Tilt skid steer attachment mounting plate to fit snow blade mounting plate.
5. Move skid steer forward and raise skid steer mounting plate until it meets snow blade mounting plate with skid steer mounting plate tilted slightly forward.
6. Raise skid steer mounting plate until the snow blade leaves the ground.
7. Tilt skid steer mounting plate back to secure snow blade mounting plate.
8. Turn off skid steer and make sure auxiliary hydraulic controls are off (see skid steer manual).
9. Lock snow blade to skid steer. Flip the spring loaded latch pins to the "latch lock" position and check to see they are properly latched.
10. Connect auxiliary hydraulic hoses (if so equipped).

To Remove Snow Blade From Skid Steer:

1. Turn off skid steer and make sure auxiliary hydraulic controls are off (see skid steer manual).
2. Disconnect auxiliary hydraulic hoses. Cap all hoses.
3. Unlatch skid steer attachment pins from snow blade mounting plate.
4. Lower skid steer attachment mounting plate to the ground.
5. Tilt skid steer attachment mounting plate forward and back skid steer away from snow blade.

ALL MODELS:

The blade can be locked with two bolts so it can be used for light dirt moving only.

NOTE:

Blades are designed for moving snow and loose dirt only. Do not abuse blades by prying rocks or stumps with high impact loads.

Skid Shoes should always be used for snow moving applications.

When moving snow, do not operate with the blade in the locked position.

**WARNING**

Power unit must be equipped with ROPS or ROPS cab and seat belt. Keep seat belt securely fastened. Falling off power unit can result in death from being run over or crushed. Keep foldable ROPS systems in "locked up" position at all times.

**CAUTION**

Be sure your tractor and loader, or skid steer is in good condition. Read all the safety precautions and make sure all equipment operators are familiar with the safety rules of operation.

The operator is responsible for the safe operation of this equipment. The operator must be properly trained. Operators should be familiar with the power unit, loader and loader attachment, and all safety practices before starting operation.

General and Operator Safety

Only qualified people familiar with this manual should operate this machine. Operator should wear hard hat, safety glasses, and safety shoes. Prime mover must be equipped with a Roll-Over Protective System (ROPS) and a seat belt that is used.

- Become familiar with controls.
- Operate from operator's seat only. Remain at controls until operating cycle is complete.
- Never lift blade to a height where visibility is obstructed.
- Avoid holes, ditches, and obstructions which may cause tractor/loader to tip.
- Allow for additional length of loader and attachment on power unit while turning.
- Never allow anyone to walk or work under a raised loader.
- Be sure that people, livestock, or pets are not standing near the machine while operating.
- Carry the attachment slowly and as low as possible to the ground.

- Operate the loader hydraulic controls smoothly, avoiding jerky operation. Stop loader gradually.
- Only use a tractor or power unit equipped with a ROPS cab or roll-over protective structure.
- Travel slowly over rough surface or when making turns.
- Lower bucket or attachment to ground when power unit is unattended.

NOTE:

- For most snow moving applications, operate with the loader in the FLOAT position. (See your power unit/loader manual for details on the FLOAT position.)
- For moving snow, the “A-Frame” part of the main frame should be level. Using the bucket tilt cylinders on your loader, tilt the main frame forward or back until the “A” part of the frame is level.
- Blades are designed for moving snow and loose dirt. Do not abuse blades by prying rocks or stumps with high impact loads.
- Skid shoes should always be used for snow applications.
- When moving snow, do not operate with the blade in the locked position.
- On skid steer models, always place blade in straight (90°) angle position for easier dismounting and entry to skid steer.



WARNING

- Do not operate this product until you have positive indication that this attachment is securely mounted to the loader. Failure to install lock pins or have the latching mechanism engaged could result in injury or death.
- Do not exceed 10 miles per hour while operating.
- A heavy load can cause instability in driving a power unit. Make sure the rear of the tractor is properly counterbalanced with weights. Always drive slowly – especially around turns. An unstable power unit could steer badly and possibly tip over, causing injury or death.

Snow Blade Operation

Before any snowfall, inspect the site where your Snow Blade is to be used. Locate any obstructions (i.e. curbs, sidewalks, parking bumpers, pipes, shrubs, fences, etc.) and any variations in elevation (i.e. retaining walls, slopes, holes, etc.) so that these elements can be avoided during the snow plowing operation.

Operating Tips

For maximum blade protection, operate with power unit loader boom in the FLOAT position.

For maximum blade down pressure, DO NOT operate with loader in the FLOAT position.



WARNING

- Power unit must be equipped with ROPS or ROPS cab and seat belt. Keep seat belt securely fastened. Falling off power unit can result in death from being run over or crushed. Keep foldable ROPS systems in "locked up" position at all times.
- Never allow children or untrained persons to operate equipment.
- Keep all persons away from operator control area while performing adjustments, service, or maintenance.



CAUTION

Beware of lift clearance when raising loader to maximum height.



DANGER

- Beware of low electrical wires when loader is raised. Serious injury or death can result if contact is made.
- Do not leave the operator's seat if any part of the tractor or implement contacts electric lines.

Transporting



CAUTION

When traveling on public roads, whether at night or during the day, use accessory light and devices for adequate warnings to operators of other vehicles. Comply with all federal, provincial, state and local laws.

1. Transport Position: When the snow blade is in the lowered position, hook the chain in the chain link so the chain is as short as possible. This will put all the weight of the snow blade on the transport chain and relieve all the weight from the spring.
2. Be sure to reduce ground speed when turning; and, leave enough clearance so the snow blade does not contact obstacles such as buildings, trees or fences.
3. Select a safe ground travel speed when transporting from one area to another. When traveling on roadways, transport in such a way that faster moving vehicles may pass you safely.
4. When traveling over rough or hilly terrain, slow down and use extra care.
5. Read all the safety warnings in the front of the manual.

Maintenance



WARNING

- **NEVER GO UNDERNEATH EQUIPMENT.** Never place any part of the body underneath equipment or between moveable parts even when the engine has been turned off. Hydraulic system leak down, hydraulic system failures, mechanical failures, or movement of control levers can cause equipment to drop or rotate unexpectedly and cause severe injury or death.
- Service work does not require going underneath.
- Read Manual for service instructions or have service performed by a qualified dealer.

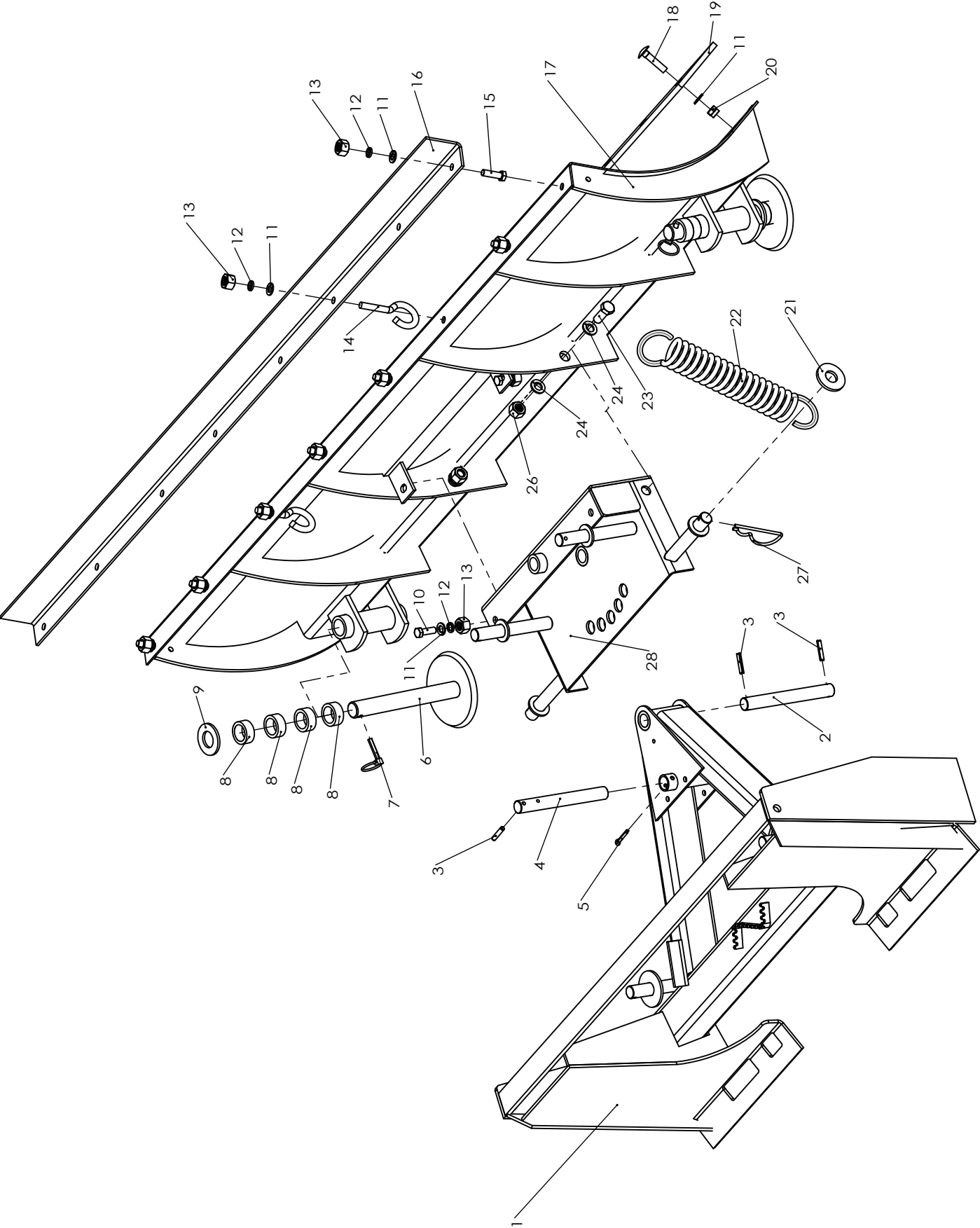
The information in this section is written for operators who possess basic mechanical skills. If you need help, your dealer has trained service technicians available. For your protection, read and follow the safety information in this manual.

- Inspect the blade for loose, damaged or worn parts and adjust or replace if needed.
- Repaint parts where paint is worn or scratched to prevent rust.
- Check all bolts and nuts to be sure they are tight.
- Grease main pivot every 8 hours of use.
- Replace any worn or damaged parts immediately. Do not use attachment with any damaged parts.

Storage

- Always store in a clean, dry location away from children and livestock.
- Storage location should be level and solid to make hitching and unhitching easy.

SKID STEER MOUNT SNOW BLADE PARTS DIAGRAM



SKID STEER MOUNT SNOW BLADE PARTS LIST

| Ref No. | Part No. | Description | Qty |
|---------|----------|------------------------------------|-------------------|
| 1 | 350001 | Main frame | 1 |
| 2 | 350002 | Φ25 Pin 1 | 1 |
| 3 | 350003 | Φ8×40 Pin | 3 |
| 4 | 350004 | Φ25 pin 2 | 1 |
| 5 | 350005 | Φ5×50 Cotter Pin | 1 |
| 6 | 350006 | Arm-Brace | 2 |
| 7 | 350007 | Φ8 Lynch Pin | 2 |
| 8 | 350008 | 19mm Spacer | 8 |
| 9 | 350009 | Φ25 Flat Washer | 2 |
| 10 | 350010 | M12×35 Hex Bolt | 2 |
| 11 | 350011 | Φ12 Flat Washer | 5':20,6':22,7':26 |
| 12 | 350012 | Φ12 Lock Washer | 5':10,6':10,7':12 |
| 13 | 350013 | M12 Hex Nut | 5':10,6':10,7':12 |
| 14 | 350014 | Spring Bolt | 2 |
| 15 | 350015 | M12×40 Hex Bolt | 5':6 ,6':6,7':8 |
| 16 | 350516 | Angle Block | 1 |
| | 350616 | | 1 |
| | 350716 | | 1 |
| 17 | 350517 | Blade Install Frame | 1 |
| | 350617 | | 1 |
| | 350717 | | 1 |
| 18 | 350018 | M12×35 Round Head Square-Neck Bolt | 5':10,6':12,7':14 |
| 19 | 350519 | Blade | 1 |
| | 350619 | | 1 |
| | 350719 | | 1 |
| 20 | 350020 | M12 Hex Lock Nut | 5':10,6':12,7':14 |
| 21 | 350021 | Φ25 Flat Washer | 2 |
| 22 | 350022 | Spring | 2 |
| 23 | 350023 | M20×55 Hex Bolt | 2 |
| 24 | 350024 | Φ20 Flat Washer | 4 |
| 26 | 350026 | M20 Lock Nut | 2 |
| 27 | 350027 | Hair Pin | 2 |
| 28 | 350028 | Adjusting Bracket | 1 |