



HYDRAULIC TABLE CART — 500-LB. OWNER'S MANUAL



WARNING:

Read carefully and understand all **MACHINE ADJUSTMENT AND OPERATION INSTRUCTIONS** before operating. Failure to follow the safety rules and other basic safety precautions may result in serious personal injury.

Item# 44497

Thank you very much for choosing a Roughneck product! For future reference, please complete the owner's record below:

Model: _____ Purchase Date: _____

Save the receipt, warranty and these instructions. It is important that you read the entire manual to become familiar with this product before you begin using it.

This machine is designed for certain applications only. The distributor cannot be responsible for issues arising from modification. We strongly recommend this machine not be modified and/or used for any application other than that for which it was designed. If you have any questions relative to a particular application, DO NOT use the machine until you have first contacted the distributor to determine if it can or should be performed on the product.

For technical questions please call **1-800-222-5381**.

INTENDED USE

This Roughneck Hydraulic Table Cart is a hydraulic scissor lift tabletop with an easy foot pedal operation. It's ideal for lifting, positioning, and transporting heavy materials around the shop, factory, warehouse, or office.

TECHNICAL SPECIFICATIONS

Item	Description
Load Capacity (lbs.)	500
Raised Height (in.)	28 5/8
Lowered Height (in.)	9 1/4
Platform Size L x W (in.)	27 3/4 x 17 3/4
Overall Dimensions L x W x H (in.)	35 x 17 3/4 x 35 1/2

GENERAL SAFETY RULES



WARNING: Read and understand all instructions before use. Failure to follow all instructions listed below may result in serious injury.



CAUTION: Do not allow persons to operate or assemble this Lift Table until they have read this manual and have developed a thorough understanding of how the Lift Table works.




WARNING: The warnings, cautions, and instructions discussed in this instruction manual cannot cover all possible conditions or situations that could occur. It must be understood by the operator that common sense and caution are factors which cannot be built into this product, but must be supplied by the operator.

SAVE THESE INSTRUCTIONS

IMPORTANT SAFETY CONSIDERATIONS

USE AND CARE

1. Do not exceed the 500 lb max weight capacity and be aware of dynamic loading!
2. When the table is hoisted the weight of goods on the table should not exceed the capacity. While loading the table, goods should be loaded gently. Sudden load movements may briefly create an excess load, causing product failure.
3. When loading and unloading goods on the hoisted table, don't place goods unparallel with the table top. Doing so may cause serious offset and make the cart turn over.
4. Use only on flat, level, and hard surface capable of supporting the Lift Table and any item(s) placed on the table.
5. Be aware of the "pinch points". Keep hands or feet clear of lifting mechanism during operation. The Scissor Arm Assembly can cause serious injury when opening or closing. Do not allow anyone near the Scissor Arm Assembly during operation.
6. Undistributed loading is not suggested. Loaded goods should be at least 80% on the table top surface.
7. Loose or unstable goods should not to be loaded onto the table.
8. Don't put goods on working table for more than 2 hours at a time.
9. Do not adjust the Safety Valve.
10. Use as intended only. Do not use Lift Table to lift or transport people.
11. Do not make any alterations to this product.
12. This product is not a toy. Keep it out of reach of children.
13. Lower load slowly.
14. Do not use for aircraft purposes.
15. Lock casters when unattended. The cart can't be moved when goods are being lifted.
16. Follow all hydraulic air release instructions specified in this manual.
17.  **WARNING:** Wear ANSI-approved safety goggles and heavy duty work gloves during assembly and use.

ASSEMBLY

1. With assistance, grip the base of the Hydraulic Lift Table and lift it from the box. Do not just grip the Table. Meanwhile, assign one person to grip the handle, the handle is connected to the base through Pull Rod.
2. Slide the ends of the Handle into the handle slots on the Base and secure with Hex Bolt (21).
3. Install the Pump Lever/ Foot Pedal into the Connecting Rod and secure in place using the Bolt.



Note: The Control Lever controls the operation of the Hydraulic Pump unit. To lower the Pump and Table, squeeze the Control Lever. When the Control Lever is released, the Pump and Table movement will stop and the table will remain stationary.

OPERATION

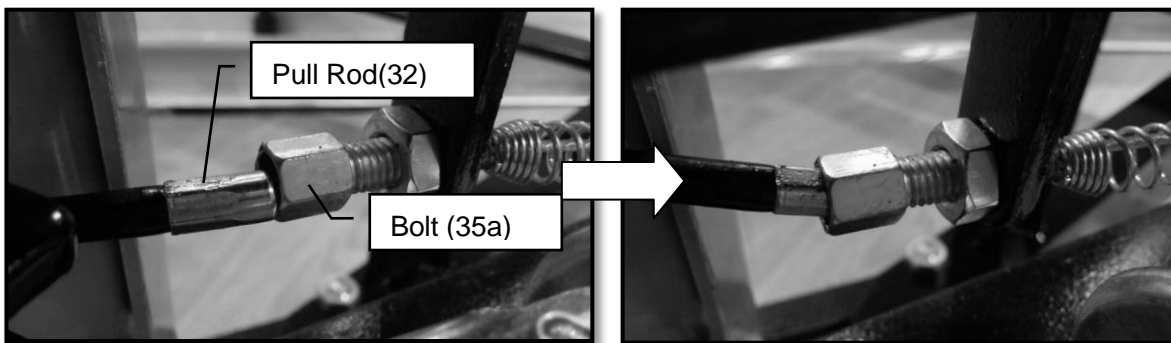
1. Before placing anything on the cart, lock the back two casters. The Locking Swivel Casters can be locked by pressing the lever down into the locked position with your foot. Test the cart operation using the Foot Pedal and Control Lever. Make sure the Table raises and lowers properly before adding weight to the Table.
2. Observing safe lifting procedures, move the goods onto the table. If necessary, secure the item onto the cart using tie-downs or chocks to keep it stable while moving.
3. Release the Locking Swivel Casters by moving the levers to the unlock position. Move the cart to the desired location.
4. Before raising the table top, lock the Locking Swivel Casters.
5. To raise the Table, ensure that the Control Lever is in the released position. Press repeatedly on the Foot Pedal to raise the table.
6. After the desired height is reached, engage the Safety Bars on sides of the Lift Frame by swinging them back towards the handle. Lower the table slightly and make sure the bars lock in place. This helps prevent uncontrolled table drop.
7. To lower the Lift Table, pump the table up until the Safety Bars can be disengaged.
8. Swing the Safety Bars up away from the Handle and towards their original position.
9. Squeeze the Control Lever to lower the Tables. The Table has a 2-speed valve.
 - a. Squeeze the Lever halfway for slowly lowering a load.
 - b. Squeeze it fully for a faster lowering of the Table when empty.
10. To prevent accidents, when finished using the cart, move the cart to a safe location, lock the Locking Swivel Casters, lower the Table as far as it will go. Clean, then store the cart indoors out of children's reach.



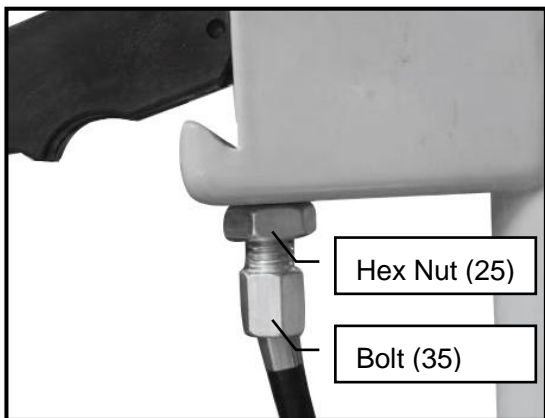
WARNING: When maintaining and repairing the cart there should be no goods placed on the table and the safety bar should be in place to support the Scissor Arm Assembly in order to prevent table from falling.

MAINTENANCE AND LUBRICATION

1. **BEFORE EACH USE**, inspect the general condition of the cart. Check for loose hardware, misalignment of binding parts, cracked or broken parts, and any other condition that may affect its safe operation.
2. Store your Hydraulic cart in a location where it is protected from moisture, dirt, and corrosive atmosphere. Protect it from being damaged from other items being moved in and out of its storage area.
3. Occasionally check the condition of the casters.
4. Occasionally apply light grease to the hinge points of the Scissor Arm Assembly and other pivot points of the assembly. Wipe off excess grease, as this will attract dirt.
5. If the table could not descend when it is first used, please check if the bottom of pull rod(32) drop out from the bolt (35a) during transportation or assembly, put it back as below.



6. If the Control Lever does not lower the Lift Table easily, loose the Hex Nut (25) by counterclockwise direction, slightly adjust the bolt(35) to make sure the control lever could lower the table, then tighten the Hex Nut(25).



7. **AFTER USE**, wipe external surfaces of the tool with clean cloth.

REMOVING AIR FROM THE PUMP

If the Lift Table is not performing properly, you may need to bleed the air from the system. There are two possible scenarios:

(1) The pump is a closed system; after some period of usage, the air would enter into the oil gradually, it would affect the performance of the lift table. Follow these steps to bleed the air from the oil.

- a) Remove any load from the Table.
- b) Release the Control Lever, and then repeatedly pump the Foot Pedal to raise the table to its highest position.
- c) Squeeze the Control Lever while pumping the Foot Pedal several times rapidly to lower the lift table, **this should remove the air out of the hydraulic oil.**

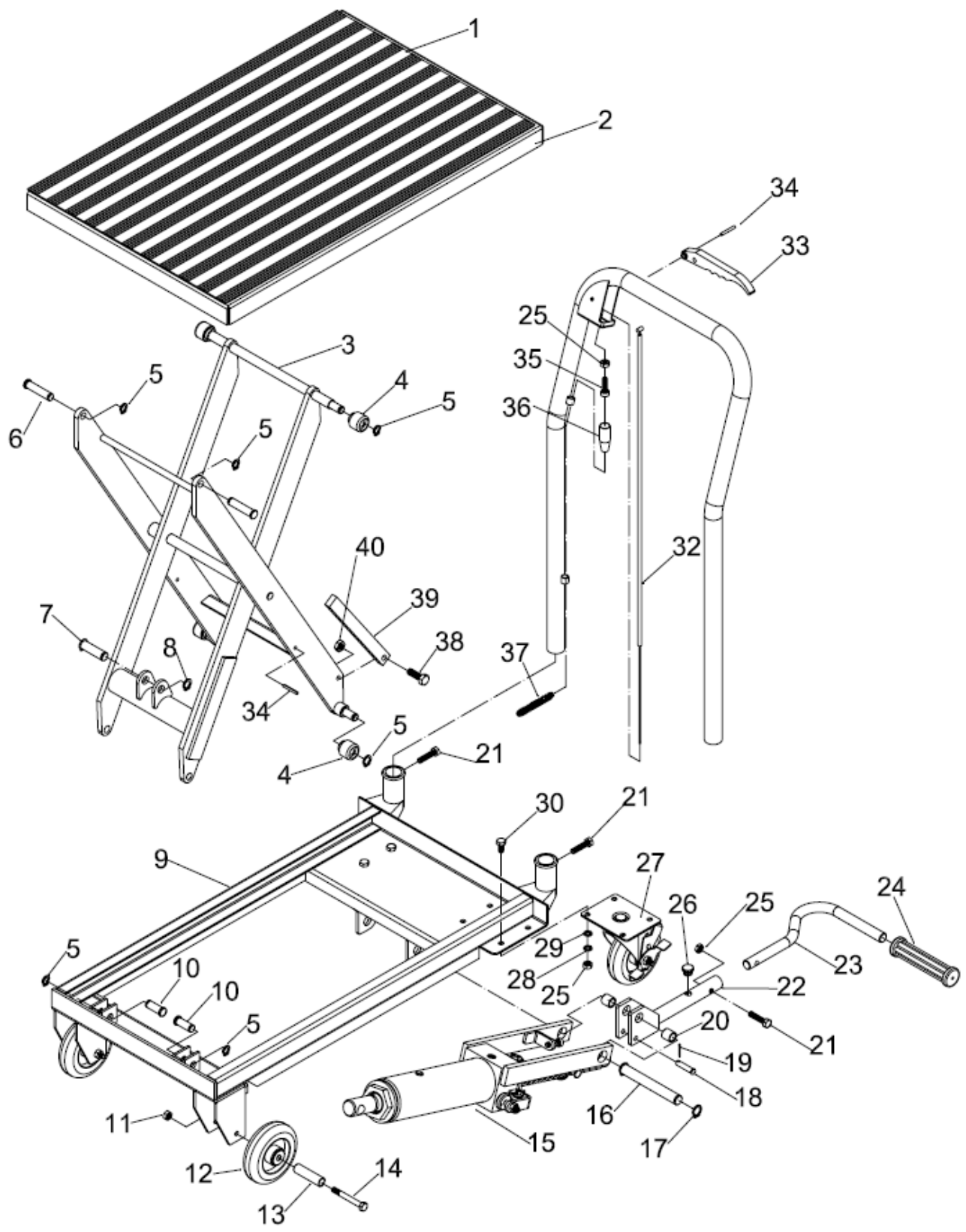
(2) Changing the hydraulic oil (done every twelve months) can put air into the system. Follow these steps to change the hydraulic oil:

- a) Slightly raise the lift table, tip over Table cart.
- b) Carefully remove the rubber fluid plug and drain the used oil from the pump. Then turn the lift table on its side and fill with hydraulic oil (120 ml max.).
- c) Replace the rubber fluid plug (4a) by firmly pressing it into the fluid hole.
- d) Raise the table to its highest position; squeeze the control lever to lower the table.
- e) Wedge a screw driver or other flat device between the plug and the housing; a “hiss” sound means the air is bleeding from the hydraulic system.



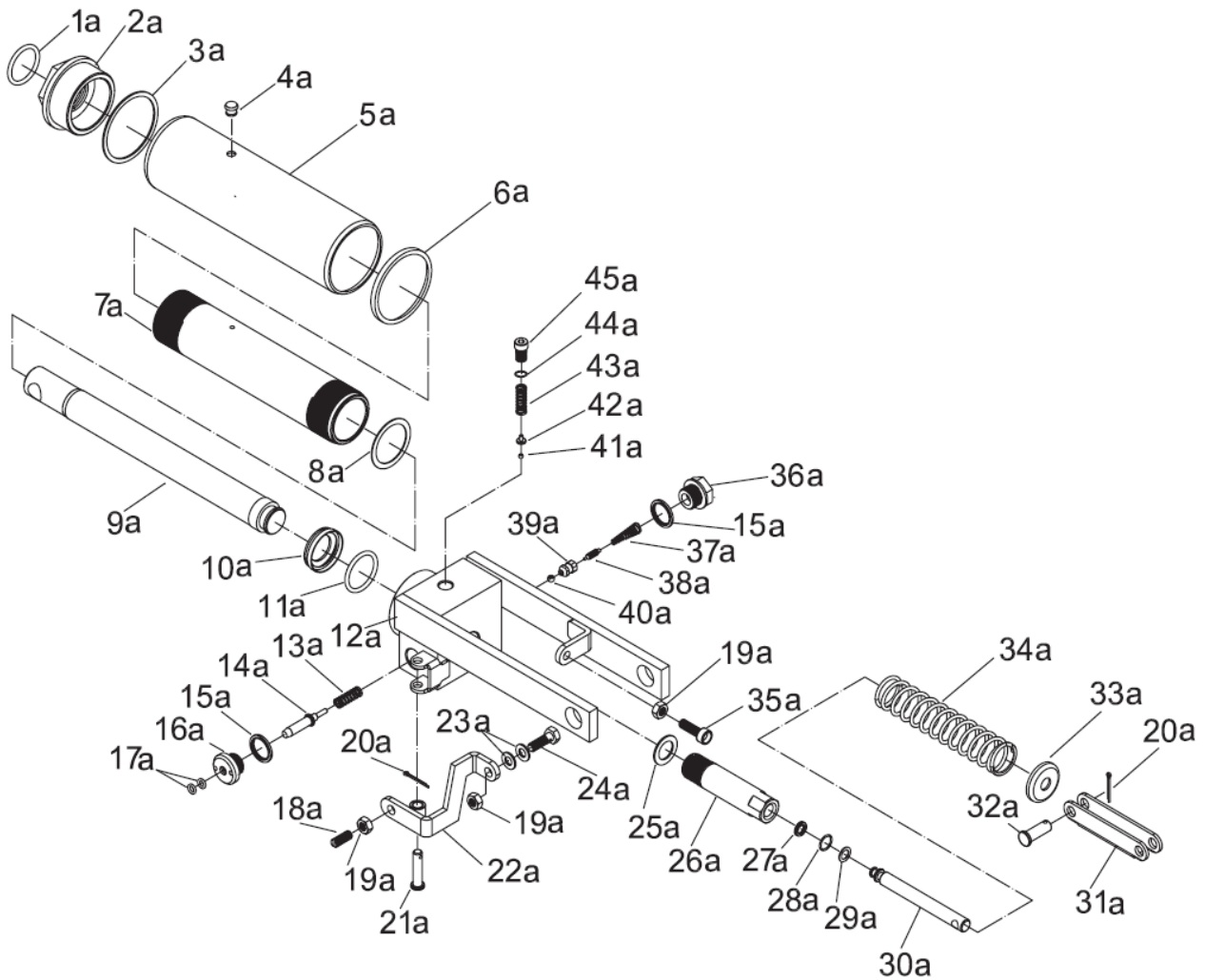
- f) Test the lift table to make sure it can lift goods at normal speeds. If it does not, repeat step d.

MAIN DIAGRAM & PARTS LIST



Part	Description	Qty	Part	Description	Qty	Part	Description	Qty
1	Protective Mat	1	15	Pump	1	29	Washer 8	8
2	Lift Table	1	16	Pin	1	30	Hex Bolt M8x16	8
3	Scissor Arm	1	17	Retaining Ring 16	2	31	Handle	1
4	Roller	4	18	Pin 8X40	1	32	Pull Rod	1
5	Retaining Ring 12	8	19	Cotter Pin 2.5X24	1	33	Control Lever	1
6	Pin	2	20	Bushing	2	34	Roll Pin 6X26	3
7	Pin	1	21	Hex Bolt M8x35	3	35	Bolt M8x25	1
8	Retaining Ring 14	2	22	Connecting Rod	1	36	Jacket	1
9	Base	1	23	Pump Lever	1	37	Spring	1
10	Pin	2	24	Foot Pedal	1	38	Hex Bolt M10x30	2
11	Lock Nut M8	2	25	Hex Nut M8	10	39	Safety Bar	2
12	Wheel 4"	2	26	Rubber Pad	1	40	Hex Nut M10	2
13	Bushing	2	27	Locking Swivel Caster 4"	2			
14	Hex Bolt M8x60	2	28	Spring Washer 8	8			

DIAGRAM & PARTS LIST-Pump



Part	Description	Qty	Part	Description	Qty	Part	Description	Qty
1a	O-Ring	1	16a	Axle Sleeve	1	31a	Linkage	1
2a	Top Nut	1	17a	O-Ring	2	32a	Pin 8X24	1
3a	Sealing Gasket	1	18a	Screw M8x20	1	33a	Spring Cap	1
4a	Rubber Fluid Plug	1	19a	Nut M8	3	34a	Spring	1
5a	Housing	1	20a	Cotter Pin 2.5x24	2	35a	Bolt M8x25	1
6a	T-Ring	1	21a	Pin	1	36a	Plug	1
7a	Cylinder	1	22a	Release Valve Link	1	37a	Spring	1
8a	Copper Washer	1	23a	Washer 8	2	38a	Pumping Valve Spindle	1
9a	Ram	1	24a	Bolt M8x25	1	39a	Pumping Valve Seat	1
10a	O-Ring Retainer	1	25a	Seal Washer	1	40a	Steel Ball 6.35	1
11a	O-Ring	1	26a	Pump Cylinder	1	41a	Steel Ball 5	1
12a	Base	1	27a	U-Cup	1	42a	Ball Seat	1
13a	Spring	1	28a	O-Ring	2	43a	Spring	1
14a	Release Valve	1	29a	Retainer Ring	1	44a	O-Ring	1
15a	Seal Washer 20	2	30a	Pump Piston	1	45a	Adjusting Bolt	1

For replacement parts and technical questions, please call **1-800-222-5381**.

WARRANTY

One-year limited warranty



Distributed by
 Northern Tool + Equipment Co., Inc.
 Burnsville, Minnesota 55306
 NorthernTool.com
 Made in China