



### Technical data

Voltage	U	240	V
Phase		1	~
Frequency	f	60	Hz
Speed	n	830	RPM
Power consumption	P <sub>e</sub>	760	W
Nominal current	I <sub>nom</sub>	3.6	A
Maximum current	I <sub>max</sub>	4.1	A
Cos φ		0.88	
Capacitor		16/400	μF/V
Ambient temperature	T <sub>amb min/max</sub>	-13...104	°F
Insulation Class		CL.F	
IP Class		IP55	
Weight		30.8	Lbs.

### Fan details

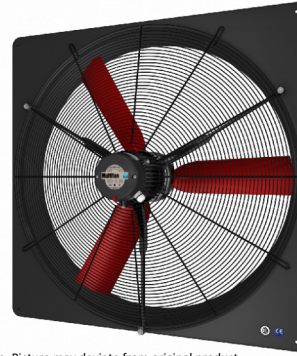
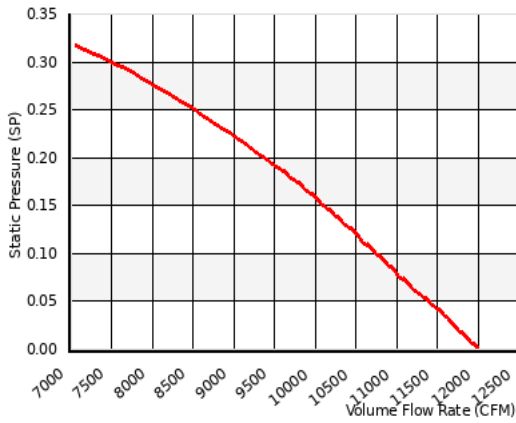
Impeller blades	3
Impeller type	8
Impeller system	G
Impeller material	PG

### Control options

Triac controller	Yes
Transformer	Yes
Frequency drive	No

### Characteristics

0.00 in. wg 12000 CFM  
 0.20 in. wg 9360 CFM



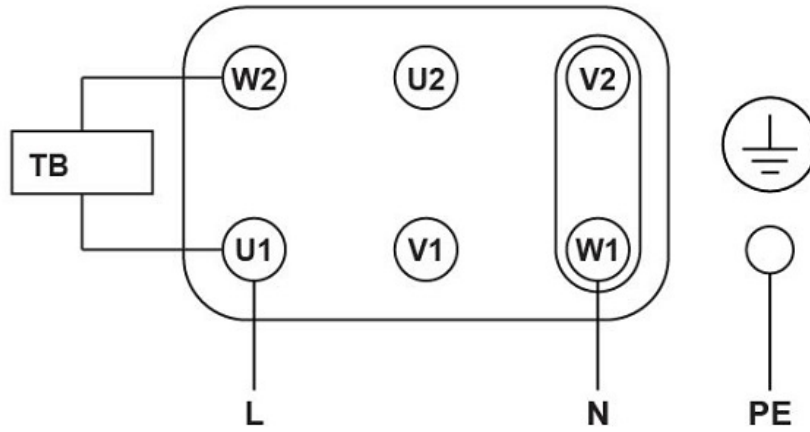
Please note: Picture may deviate from original product

### Approval(s)



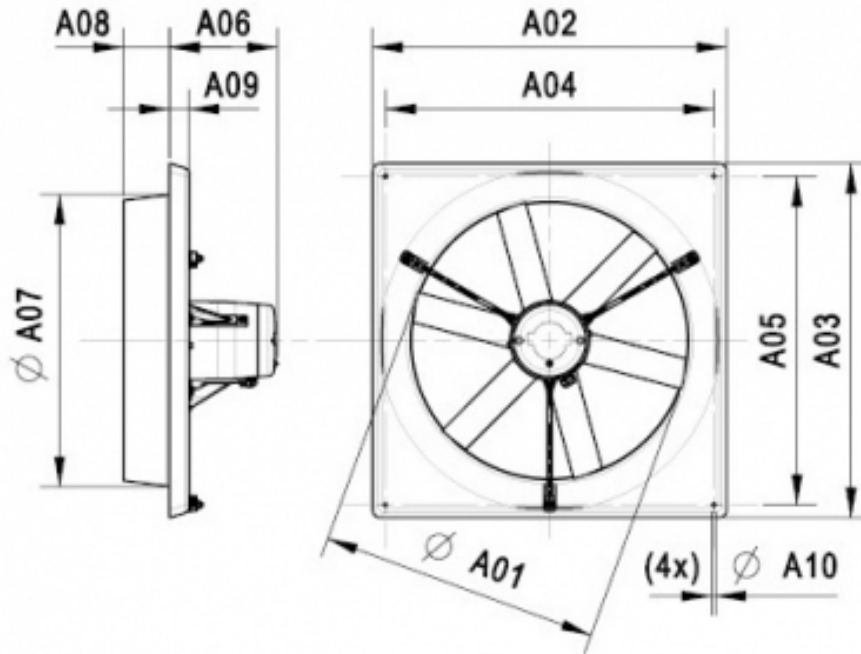
### Wiring diagram

C1 - 1 Phase - Standard - CCW



S0000010695A

Dimensions



A01:	36.0 inch
A02:	39.6 inch
A03:	39.6 inch
A04:	37.3 inch
A05:	37.3 inch
A06:	9.7 inch
A07:	37.0 inch
A08:	3.7 inch
A09:	1.6 inch
A10:	0.4 inch