



Technical data

Voltage	U	230	V
Phase		1	~
Frequency	f	60	Hz
Speed	n	750	RPM
Power consumption	P _e	725	W
Nominal current	I _{nom}	3.5	A
Maximum current	I _{max}	4.2	A
Cos φ		0.91	
Capacitor		14/400	μF/V
Ambient temperature	T _{amb min/max}	-13...104	°F
Insulation Class		CL.F	
IP Class		IP55	

Fan details

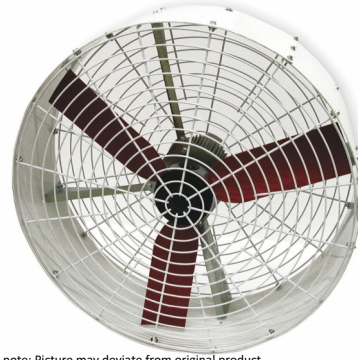
Impeller blades	3
Impeller type	8
Impeller system	G
Impeller material	PG

Control options

Triac controller	Yes
Transformer	Yes
Frequency drive	No

Characteristics

0.00 in. wg	9060 CFM
-------------	----------



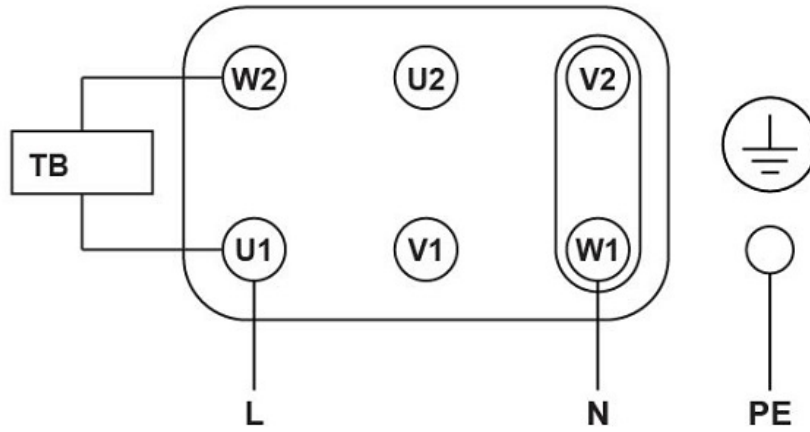
Please note: Picture may deviate from original product

Approval(s)

Motor approval

Wiring diagram

C1 - 1 Phase - Standard - CCW



S0000010695A