

# Multifan



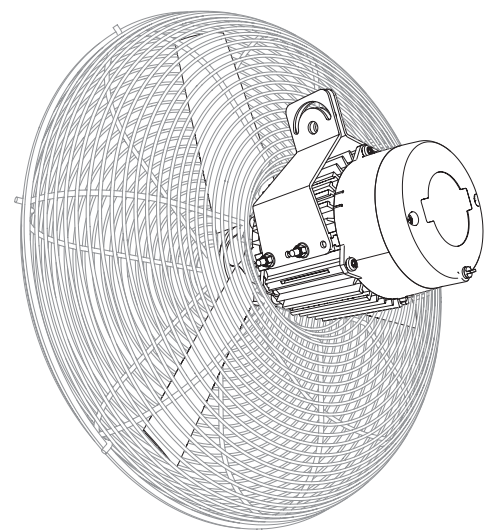
## Basket Fan

ENGLISH (US)  
Installation Instructions - Operating Instructions

ESPAÑOL  
Instrucciones de instalación - Instrucciones de uso



READ AND SAVE THESE INSTRUCTIONS  
IMPORTANTE - LEA ATENTAMENTE ANTES DE USAR



**Table of Contents**

1 Introduction..... 2

2 Safety..... 2

3 Information..... 3

    3.1 Overview..... 3

    3.2 Intended use..... 3

    3.3 Technical information ..... 3

4 Installation..... 3

    4.1 Mechanical ..... 3

    4.2 Electrical..... 4

        4.2.1 Thermal protection ..... 4

        4.2.2 Speed control ..... 5

5 Commissioning..... 5

6 Operation..... 5

7 Maintenance..... 6

    7.1 Maintenance schedule..... 6

    7.2 Maintenance subjects..... 6

    7.3 Removing the guard for maintenance ..... 6

8 Troubleshooting and repairs..... 7

9 End of life ..... 8


    Glossary ..... 8

**1 Introduction**

**IMPORTANT: READ THESE INSTRUCTIONS CAREFULLY BEFORE USE**  
**KEEP THESE INSTRUCTIONS FOR FUTURE REFERENCE**

These instructions are a part of this fan and must be passed on to any subsequent owner and/or user.

Contact your supplier if there are parts of these instructions that you do not understand. Compliance with these instructions will ensure a safe and correct use of this fan.

 **NOTICE**  
 This fan is for professional, industrial or commercial use only.

**Packaging**

When the packaging materials are no longer needed, discard them according to the regulations that apply in your area.

**Modification of this fan**

Modifying this fan without written permission of Vostermans Ventilation B.V. is not permitted.

Warranty will be void when this fan is modified without permission.

**Legal notice / Disclaimer**

The scope of delivery may vary from product images shown. This document was created with all due care. The information, instructions and parts listed are current on the date this document was issued.

**Improper use**

No liability is accepted for damages resulting from improper use.

**2 Safety**

**Safety messages**

Your safety and the safety of others are very important. Important safety messages are provided in these instructions.

**READ THESE MESSAGES CAREFULLY**

A safety message alerts you to potential hazards that could hurt you or others. Each safety message is preceded by a safety symbol and one of four signal words: DANGER, WARNING, CAUTION or NOTICE.

**Explanation of the signal words used in these instructions**







**DANGER** : You will be killed or seriously hurt if you do not follow instructions.

**WARNING** : You can be killed or seriously hurt if you do not follow instructions.


**CAUTION** : You can be hurt if you do not follow instructions.

**NOTICE** : Is used to address practices not related to physical injury.

**Explanation of the safety symbols used**

|   |                                  |
|---|----------------------------------|
|    | General warning symbol           |
|    | Warning for electricity          |
|    | Warning for hot surfaces         |
|   | Warning for automatic activation |
|  | Warning for explosive materials  |
|  | General mandatory action sign    |

**2.1 UL Safety Instructions**

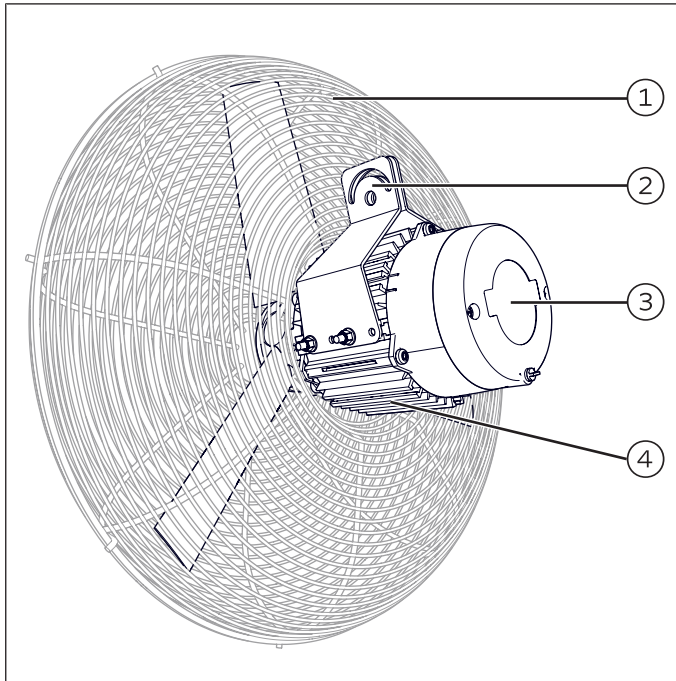
 **WARNING**  
 To reduce the risk of fire, electric shock, or injury to persons, observe the following:

- Use the unit only in the manner intended by the manufacturer. If you have questions, contact the manufacturer
- Before servicing or cleaning unit, switch power off at service panel and lock the service disconnecting means to prevent power from being switched on accidentally. When the service disconnecting means cannot be locked, securely fasten a prominent warning device such as a tag, to the service panel.

 **CAUTION**  
 For General Ventilating Use Only. Do Not Use To Exhaust Hazardous Or Explosive Materials And Vapors

## 3 Information

### 3.1 Overview



|   |   |
|---|---|
| 1 | Guard                                       |
| 2 | Mounting bracket                            |
| 3 | Fan rating plate and terminal housing cover |
| 4 | Electric motor                              |

#### Identification of the product

A rating plate is permanently attached to the Basket Fan and it must not be removed.

The rating plate displays electrical, mechanical and identification information.

Each fan has a unique 14-digit numerical serial number which is listed on the rating plate. The serial number must be provided in any future correspondence regarding this fan as it is the unique information used for identifying the fan in question.

A QR-code is displayed on the rating plate. This QR-code contains a link to an information page about this product. Here you can find a digital copy of these instructions as well as other information about this product.

### 3.2 Intended use

The Basket Fan is intended for use to create air movement for cooling and/or ventilating purposes.

#### Application examples:

Factories, workshops and farms.

#### NOTICE

This fan is intended for moving air only.

#### DANGER

Do not use this fan in **explosive** or **potentially explosive atmospheres**.

### 3.3 Technical information

For detailed technical information please visit our website from which technical datasheets can be viewed and downloaded.

<http://productselector.vostermans.com>

## 4 Installation

#### ► Before commencing installation

1. Check the fan after you have received it and make sure it has not been damaged during transport.
2. Briefly rotate the impeller and/or motor shaft by hand to make sure they rotate freely.
3. Check all the information on the rating plate and verify that this fan is suitable for the intended application.

### 4.1 Mechanical

This fan is supplied with a mounting bracket. This mounting bracket has a slotted hole to install fan under the desired tilt angle. A suspension bracket is not included with this fan.

A suspension bracket is available as an option. Please contact your supplier for more information.

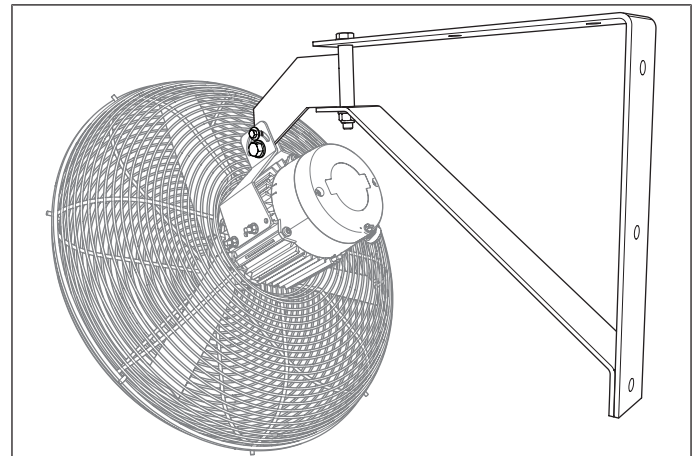


Illustration 1: Optionally available suspension bracket – model 1

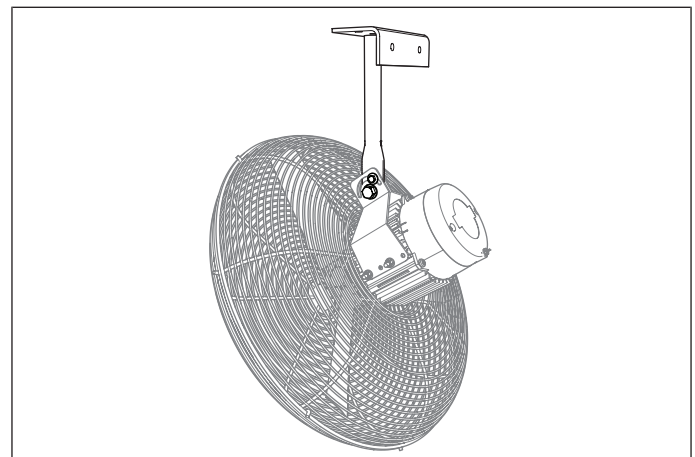


Illustration 2: Optionally available suspension bracket – model 2

The fan must be suspended from a rigid structure.

Verify that the structure from which the fan is suspended can carry the weight of the fan.

Make sure that the fan is suspended rigid enough, to prevent the fan from swaying or shaking as a result of the forces generated by the fan.

**Condensate drain holes**

The fan motor has drain holes to allow condensation that may form inside the motor to leave the motor. After installation, the drain hole at the lowest point of the motor must be open, the other drain holes must be closed.

Spare condensate drain plugs are supplied with the fan. Keep all the drain plugs as they must be temporarily reinserted in the open drain holes during wet cleaning.

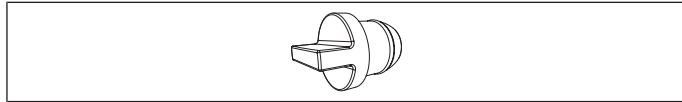


Illustration 3: Condensate drain plug

 **WARNING**

The fan must be installed with the lowest moving part at least 9ft (2.7m) above floor grade level.

**4.2 Electrical**

**Wiring diagram**

The wiring diagram is shown on the inside of the terminal housing cover. The wiring diagram is also shown on the technical data sheet.

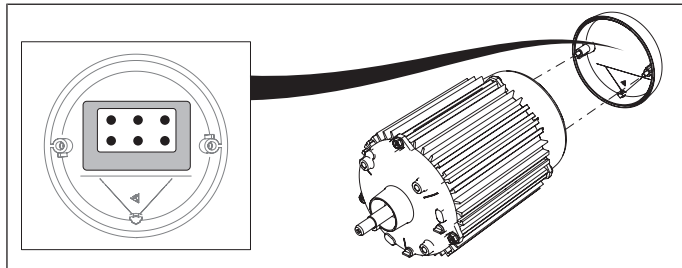


Illustration 4: Wiring diagram location

 **NOTICE**

Electrical connection must be carried out by a qualified electrician. Electrical connections must be made in accordance with local regulations.

Check the rating plate and verify that this fan is suitable for the available power supply.

For 3~ fan motors: check that STAR / DELTA is properly configured on the terminal block.

**NOTICE! STAR is for HIGH voltage / DELTA is for LOW voltage**

**Control**

This fan is supplied without a control or control system. A control or a control system must be provided for operation of the fan.

**Isolator**

This fan is supplied without an electrical isolator. An electrical isolator must be provided to facilitate safe maintenance and troubleshooting.

**Grounding**

 The fan must be grounded. Ground the fan according to local regulations.

 **NOTICE**

**Overcurrent protection**

The use of an individual separate overcurrent protective device per fan is highly recommended.

 **NOTICE**

**Overload protection**

The use of an individual separate overload protective device (Motor Protective Circuit Breaker) per fan is highly recommended.

**4.2.1 Thermal protection**

**1~ fan motor thermal protection**

Thermal detectors are built-in standard in 1~ fan motors. Thermal detectors are of the thermostat type TB: thermostat opening on increase of temperature.

In 1~ fan motors, the thermostat (TB) is by default wired in series with the phase (L) of the supply. The motor is as such self-resetting: when the motor overheats, the thermostat will switch off the motor automatically and once the motor has cooled down, the motor will start automatically again.

The presence of the text "Thermally Protected" on the rating plate and/or datasheet indicates that thermal protection is built-in the 1~ fan motor and that it is wired in series with the phase (L) of the supply.

 **WARNING**

If the unexpected start of the motor by the thermostat can cause a hazard or is prohibited by local regulations, the thermostat must be connected into a control circuit that will not allow the motor to restart until the circuit is manually reset.

**3~ fan motor thermal protection (optionally available)**

Thermal detectors are optionally available in 3~ fan motors. Thermal detectors are of the thermostat type TB: thermostat opening on increase of temperature.

In 3~ fan motors, the thermostats (TB) are by default wired to separate terminals on the terminal block. An external control circuit can be connected here. **NOTICE! The thermostats in 3~ fan motors cannot be wired in series with the power supply.**

**Maximum thermostat (TB) load**

When connecting an external control circuit to the thermostats, the following load limits must be observed:



|   |                        |
|---|------------------------|
| AC<br> | ≤ 500 V                |
|   | ≤ 1.6 A<br>Cos φ ≥ 0.6 |
| DC<br> | ≤ 12 V                 |
|   | ≤ 40 A                 |

Table 1: Maximum thermostat (TB) load

## 4.2.2 Speed control

Verify that this fan is suitable for speed control. On the datasheet and rating plate the following (combination of) codes can be found:

F = suitable for frequency control / VFD (Variable Frequency Drive)

E = suitable for electronic voltage control (TRIAC / phase cutting)

T = suitable for transformer voltage control



### WARNING

If none of these codes is listed, this fan cannot be speed controlled!

### Variable Frequency Drive (FC / frequency control)

- Do not reduce the frequency to less than 20% of the nominal frequency as listed on the rating plate.
- When using a variable frequency drive, the wiring instructions of the variable frequency drive manufacturer must be followed.



### WARNING

Do not increase the frequency beyond the nominal value as listed on the rating plate

### Electronic Voltage Control (TRIAC / SOLID-STATE / phase cutting)

- Do not reduce the voltage to less than 40% of the nominal voltage as listed on the rating plate.
- Motor noise (humming) can occur due to this type of control

### Transformer voltage control

- Do not reduce the voltage to less than 40% of the nominal voltage as listed on the rating plate.

### For US only:

### For 3~ fans only:



### WARNING

To Reduce The Risk of Fire or Electric Shock, Do Not Use This Fan With Any Solid-State Speed Control Device

### For Canada only:

### For 3~ fans only:



### WARNING

NOT SUITABLE FOR USE WITH SOLID-STATE SPEED CONTROLS

## 4.3 UL Installation instructions



### WARNING

To reduce the risk of fire, electric shock, or injury to persons, observe the following:

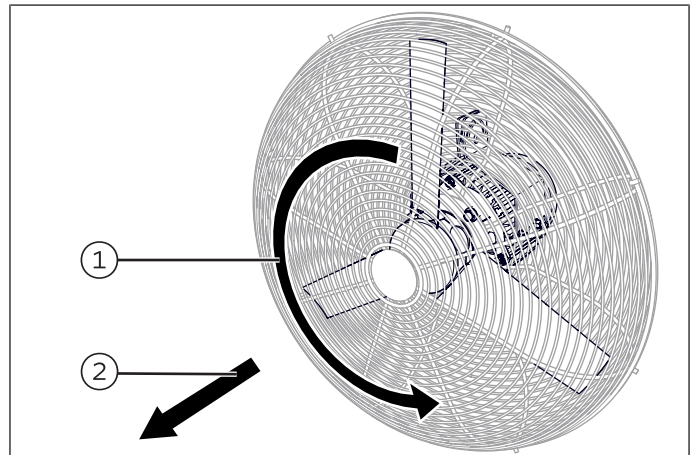
- Installation work and electrical wiring must be done by qualified person(s) in accordance with all applicable codes and Standards, including fire-rated construction.

- Sufficient air is needed for proper combustion and exhausting of gases through the flue (chimney) of fuel burning equipment to prevent back drafting. Follow the heating equipment manufacturer's guideline and safety Standards such as those published by the National Fire Protection Association (NFPA), and the American Society for Heating, Refrigeration and Air Conditioning Engineers (ASHRAE), and the local code authorities.
- When cutting or drilling into wall or ceiling, do not damage electrical wiring and other hidden utilities.
- Ducted fans must always be vented to the outdoors.

### Hose down

This fan is IP55 and can be hosed down with water. The installer is to use rigid conduit or electrical metallic tubing with rain-tight fittings, or liquid-tight flexible metal or non-metallic conduit with acceptable fitting.

## 5 Commissioning



1 Impeller rotation direction

2 Airflow direction

### Before initial start-up verify that:

- Installation and electrical connection have been properly completed.
- No foreign material is present within the fan and fan housing.
- All necessary safety devices such as guards are in place.

### Initial start-up

- Briefly switch on the power supply and check if the impeller rotates in the correct direction. Correct if necessary:
  - For 3~ fans interchange any 2 of the 3 phases of the supply.
  - For 1~ fans contact your supplier.
- Run the fan and check for quiet (no unusual noises), low vibration operation. Check that the current draw is within the full load limits as listed on the rating plate and datasheet.
- Refer to the troubleshooting section of these instructions if anything seems out of the ordinary.

## 6 Operation

Always be alert when the fan is in operation. Immediately switch off and isolate the fan from the electrical supply if anything seems out of the ordinary. Refer to the troubleshooting section of these instructions if anything seems out of the ordinary.

**DANGER**

If the built-in thermal protection is in series with the power supply and is activated, the fan motor will automatically re-start after cooling down.

Risk of injury due to unexpected start.

**CAUTION**

The fan motor can get hot during operation

Do not touch it to prevent burns

**Infrequent use**

If the fan is used less frequently than once per month, run the fan each month at least 2 hours at full speed to avoid buildup of moisture in the fan motor and to keep the bearing lubricant in good condition.

**7 Maintenance****DANGER**

Switch off and completely isolate the fan from the electrical supply before commencing maintenance.

**WARNING**

All moving parts must be at a complete standstill before commencing maintenance.

**7.1 Maintenance schedule****► Maintenance tasks – TO BE CARRIED OUT EVERY MONTH**

1. Examine the fan housing for defects and remove any dirt that has accumulated.
2. Examine the motor and remove any dirt that has accumulated on the motor and between the motor cooling fins.
3. Examine the impeller for defects and remove any dirt that has accumulated.
4. Examine the condition of the guards (if fitted) and remove any dirt that has accumulated.

**► Maintenance tasks – TO BE CARRIED OUT EVERY 3 MONTHS**

1. Check the condition of the bearings.
2. Check the tightness of fasteners and fixings.

**► Maintenance tasks – TO BE CARRIED OUT ANNUALLY**

1. Only for 1~ fan motors: check the capacitor capacitance.

**7.2 Maintenance subjects****Cleaning**

In areas of application where high levels of contamination are present, cleaning intervals should be adjusted accordingly.

Cleaning is preferably done using a soft brush. Do not use any aggressive detergents, solvents or chemicals for cleaning.

**Wet cleaning**

Wet cleaning is allowed using low pressure clean water spray. Avoid directing water jets at bearings and electrical connections as much as possible.

When wet cleaning is planned, close any open condensate drain holes before commencing wet cleaning.

**WARNING**

Do not use a high pressure cleaner.

Water may penetrate electrical connections and bearings.

**► After wet cleaning**

1. Open the condensate drain hole at the lowest point of the fan motor.
2. Run the fan for 2 hours at full speed to remove any moisture that may have entered the fan motor.

**Bearings**

The bearings used in the fan and/or fan motor are maintenance free and greased for life. Average lifespan during normal operation is >30,000 hours.

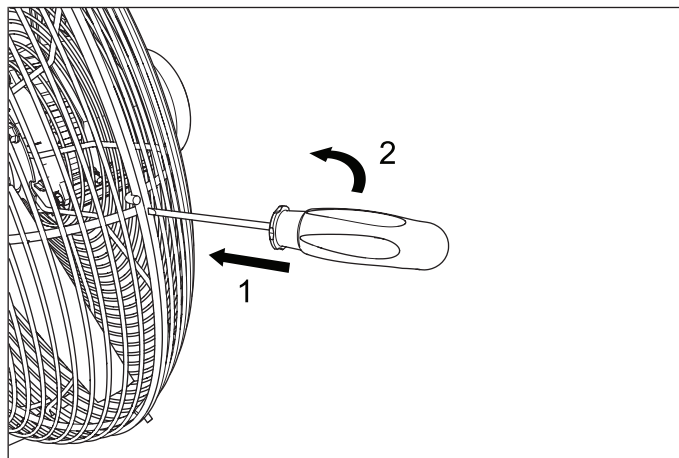
Defects in the bearings can usually be detected by listening. When the shaft / impeller is rotated by hand, it should move freely with a smooth uniform sound. Squeaking or grinding noises indicate the bearings may require replacement.

**Impeller**

Cleaning the impeller is very important. A dirty impeller will suffer from imbalance resulting in vibrations. A dirty impeller will also result in reduced fan performance and reduced fan efficiency.

**Capacitor (1~ fan motor)**

Capacitor capacitance decreases slowly over time. Average lifespan is  $\pm$  30,000 hours. Replace the capacitor when the capacitance has dropped below the value as listed on the capacitor.

**7.3 Removing the guard for maintenance**

1. Using a slotted screwdriver, unhook the front guard from the back guard.
2. After maintenance, hook the front guard to the back guard again with a slotted screwdriver.

**8 Troubleshooting and repairs****WARNING**

Troubleshooting and repairs must be performed by **skilled persons only!**

| Fault  | Possible cause   | Possible remedy   |
|--|--|---|
| Excessive vibration  | Impeller imbalance -> impeller damaged                     | Replace the impeller  |
|  | Impeller imbalance -> impeller dirty                       | Clean the impeller  |
|  | Bearings are damaged or worn                               | Replace the bearings  |
| Fan does not start   | No power supplied to fan                                   | Check all power supplies<br>Check fuse/circuit breaker  |
|  | (If present) VFD (Variable Frequency Drive) defective      | Check VFD (refer to VFD manufacturers' instructions)  |
| Fan does not start<br>(supply voltage at fan motor terminals is present) | Thermal protection activated<br>(Fan motor has overheated) | Clean the motor<br>Check for overloading of fan system (intake or exhaust blocked?)<br>Check if the supply voltage is not too high or too low |
|  | Impeller blocked   | Remove the blockage   |
|  | Only for 1~ fan motors: wrong or defective capacitor       | Replace the capacitor   |
|  | Temperature too low for the bearing grease                 | Do not operate the fan outside the ambient temperature range as specified on the rating plate and technical data sheet                        |
|  |  |   |
| Fan motor overheats while running  | Fan is overloaded  | Check for overloading of the fan system (intake or exhaust blocked?)  |
|  | Fan motor overheated due to dirt in cooling fins.          | Clean the motor   |
|  | Supply voltage too high or too low                         | Check the power supply  |
|  | Incorrect supply frequency                                 | Check the power supply  |
|  | Only for 3~ motors: phase voltage imbalance                | Check the power supply  |
|  | Only for 1~ motors: wrong or defective capacitor           | Replace the capacitor   |
| Fan rotates in wrong direction   | 1~ fan motors: capacitor incorrectly connected             | Connect according to wiring diagram (contact supplier)  |
|  | 3~ fan motors: supply incorrectly connected                | Swap any 2 of the 3 phases of the supply  |
| Fan speed (rpm) is too low   | Supply voltage is too low                                  | Check the power supply  |
|  | Incorrect supply frequency                                 | Check the power supply  |
|  | Only for 1~ fans: wrong or defective capacitor             | Replace the capacitor   |
|  | Only for 3~ fans: STAR instead of DELTA connected          | Connect as DELTA<br>Check wiring diagram!   |
|  | 3~ fan motors: Phase failure                               | Restore all 3 phases  |
| High power consumption   | Fan is overloaded  | Check for overloading of the fan system (intake or exhaust blocked?)  |
|  | Fan speed is too high                                      | Check the supply voltage and frequency  |
| Unusual or excessive noises  | Impeller hits fan housing                                  | Check the installation and fixings and alignment  |
|  | Fan is operating in stall point                            | Lower the system resistance<br>(Intake or exhaust blocked)  |
|  | Bearings are damaged or worn                               | Replace the bearings  |

Detailed repair and replacement instructions are available from your supplier or Vostermans Ventilation B.V.

It is highly recommended to use genuine parts only for service and repairs.

## 9 End of life






### Disposal

At the end of the life of this fan, dispose of it properly in accordance with regulations that apply in your area.

### Recycling

The main materials used in the electric motor are copper, steel and aluminium.

Most of the fan parts have the recycling symbol with material code listed on them to facilitate proper recycling. Some parts are made of easy to identify materials such as steel, and have no recycling symbol on them.

| Symbol  | Material                              |
|---|---------------------------------------|
|  | Polypropylene                         |
|  | ABS (Acrylonitrile butadiene styrene) |
|  | Polyamide                             |
|  | Glass fibre reinforced polypropylene  |
|  | Aluminium                             |

*Not all of the above symbols may appear on parts of this product. This is because the material in question is then not present in this product.*

## Glossary

### Explosive atmosphere

A mixture of air, under atmospheric conditions, with flammable substances in the form of gases, vapours, mists or dusts in which, after ignition has occurred, combustion spreads to the entire unburned mixture.

### Skilled person

Individual with relevant technical education, training or experience to enable perceiving risks and avoiding hazards occurring during use of a product.

**Índice**

|          |   |           |
|----------|---|-----------|
| <b>1</b> | <b>Introducción</b> .....   | <b>9</b>  |
| <b>2</b> | <b>Seguridad</b> .....  | <b>9</b>  |
| <b>3</b> | <b>Información</b> .....  | <b>10</b> |
| 3.1      | Visión general.....   | 10        |
| 3.2      | Uso específico.....   | 10        |
| 3.3      | Información técnica.....  | 10        |
| <b>4</b> | <b>Instalación</b> .....  | <b>10</b> |
| 4.1      | Mecánica.....   | 10        |
| 4.2      | Eléctrico.....  | 11        |
| 4.2.1    | Protección térmica.....   | 11        |
| 4.2.2    | Control de velocidad.....   | 12        |
| <b>5</b> | <b>Puesta en marcha</b> .....                                     | <b>13</b> |
| <b>6</b> | <b>Funcionamiento</b> .....                                       | <b>13</b> |
| <b>7</b> | <b>Mantenimiento</b> .....  | <b>13</b> |
| 7.1      | Programa de mantenimiento.....                                    | 13        |
| 7.2      | Temas de mantenimiento.....                                       | 13        |
| 7.3      | Desmontaje de la rejilla de protección para el mantenimiento..... | 14        |
| <b>8</b> | <b>Solución de problemas y reparaciones</b> .....                 | <b>14</b> |
| <b>9</b> | <b>Fin de vida útil</b> .....                                     | <b>15</b> |
|          | <b>Glosario</b> .....   | <b>15</b> |

**1 Introducción**

**IMPORTANTE: LEA LAS INSTRUCCIONES CUIDADOSAMENTE ANTES DE USARLO**

**CONSERVE ESTAS INSTRUCCIONES PARA FUTURAS CONSULTAS**

Estas instrucciones son una parte de este ventilador se debe entregar al propietario y / o usuario posterior.

Póngase en contacto con su proveedor si hay partes de estas instrucciones que no comprende. El cumplimiento de estas instrucciones asegurará un uso seguro y correcto de este ventilador.

**AVISO**

Este ventilador es sólo para uso profesional, industrial o comercial.

**Embalaje**

Cuando los materiales de embalaje ya no sean necesarios, deséchelos de acuerdo con la normativa vigente en su área.

**Modificación de este ventilador**

No está permitido modificar este ventilador sin el permiso escrito de Vostermans Ventilation B.V.

La garantía quedará anulada cuando se modifique este ventilador sin permiso.

**Aviso legal**

Lo que está suministrado puede variar con respecto a las imágenes de los productos mostradas. Este documento fue creado con el debido cuidado. La información, las instrucciones y las piezas que se indican son actuales en la fecha de emisión de este documento.

**Uso indebido**

No se acepta ninguna responsabilidad por los daños que resulten de un uso inadecuado.

**2 Seguridad****Mensajes de seguridad**

Su seguridad y la de los demás es muy importante. En estas instrucciones se incluyen importantes mensajes de seguridad.

**LEA ESTOS MENSAJES ATENTAMENTE**

Esta información le alerta sobre los peligros potenciales que podrían dañarle a usted o a los demás. Cada mensaje de seguridad está precedido por un símbolo de seguridad y una de las cuatro palabras de señalización: PELIGRO, ADVERTENCIA, ATENCIÓN o AVISO.

**Explicación de las palabras de señalización utilizadas en estas instrucciones**

**PELIGRO** : Usted morirá o resultará gravemente herido si no sigue las instrucciones.

**ADVERTENCIA** : Usted puede morir o sufrir lesiones graves si no sigue las instrucciones.

**ATENCIÓN** : Puede ser herido si no sigue las instrucciones.

**AVISO** : Se utiliza para referirse a actividades no relacionadas con lesiones físicas.

**Explicación de los símbolos de seguridad utilizados**

|  |   |
|--|---|
|  | Símbolo de advertencia general            |
|  | Advertencia para la electricidad          |
|  | Advertencia para superficies calientes    |
|  | Advertencia para la activación automática |
|  | Advertencia para materiales explosivos    |
|  | Señal general de acción obligatoria       |

**2.1 Instrucciones de seguridad de UL****ADVERTENCIA**

**Para reducir el riesgo de incendio, descarga eléctrica o lesiones a personas, observe lo siguiente:**

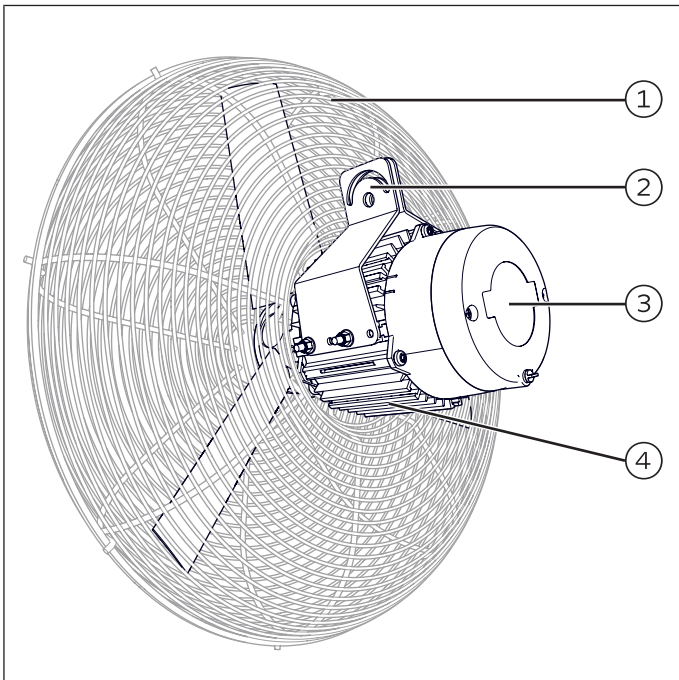
- Utilice la unidad sólo de la manera indicada por el fabricante. Si tiene preguntas, póngase en contacto con el fabricante
- Antes de realizar el mantenimiento o la limpieza de la unidad, apague el panel de servicio y bloquee el medio de desconexión de servicio para evitar que se conecte la alimentación accidentalmente. Cuando los medios de desconexión no se puede bloquear, coloque un dispositivo de advertencia prominente, tal como una etiqueta, en el panel de servicio.

**⚠ ATENCIÓN**

Para uso general de ventilación solamente. No utilizar para el escape de materiales peligrosos o explosivos y vapores

**3 Información**

**3.1 Visión general**



|   |   |
|---|---|
| 1 | Rejilla de protección   |
| 2 | Soporte de montaje  |
| 3 | Ventilador placa de características y tapa de la caja de terminales |
| 4 | Motor eléctrico   |

**Identificación del producto**

Una placa de características está fijada permanentemente al Basket Fan Y no se debe quitar.

La placa de características muestra información eléctrica, mecánica y de identificación.

Cada ventilador tiene un número de serie numérico único de 14 dígitos que aparece en la placa de características. El número de serie debe ser proporcionado en cualquier correspondencia futura relacionada con este ventilador, ya que es la única información utilizada para identificar al ventilador en cuestión.

En la placa de características aparece un código QR. Este código QR contiene un enlace a una página de información sobre este producto. Aquí puede encontrar una copia digital de estas instrucciones, así como otra información sobre este producto.

**3.2 Uso específico**

El Basket Fan está destinado a crear un movimiento de aire con fines de refrigeración y/o ventilación.

**Ejemplos de aplicación:**

Fábricas, talleres y granjas.

**⚠ AVISO**

Este ventilador está diseñado para mover aire solamente.

**⚠ PELIGRO**

No utilice este motor en atmósferas explosivas o potencialmente explosivas.

**3.3 Información técnica**

Para obtener información técnica detallada, visite nuestro sitio web desde el que se pueden ver y descargar las fichas técnicas.

<http://productselector.vostermans.com>

**4 Instalación**

**► Antes de comenzar la instalación**

1. Compruebe el ventilador después de recibirlo y asegúrese de que no se ha dañado durante el transporte.
2. Brevemente girar la hélice y/o el eje del motor a mano para asegurarse de que gira libremente.
3. Compruebe toda la información de la placa de características y compruebe que este ventilador es adecuado para la aplicación deseada.

**4.1 Mecánica**

Este ventilador se suministra con un soporte de montaje. Este soporte de montaje tiene un orificio ranurado para instalar el ventilador bajo el ángulo de inclinación deseado. No se incluye un soporte de suspensión con este ventilador.

Hay un soporte de suspensión disponible como opción. Contacte con su proveedor para obtener más información.

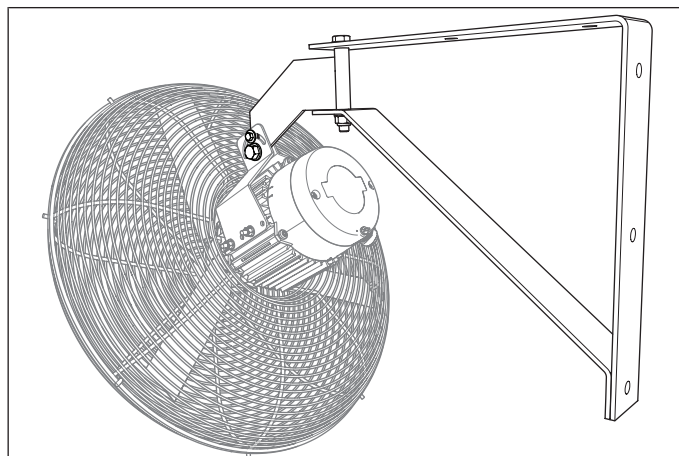


Ilustración 1: Soporte de suspensión disponible opcionalmente - modelo 1

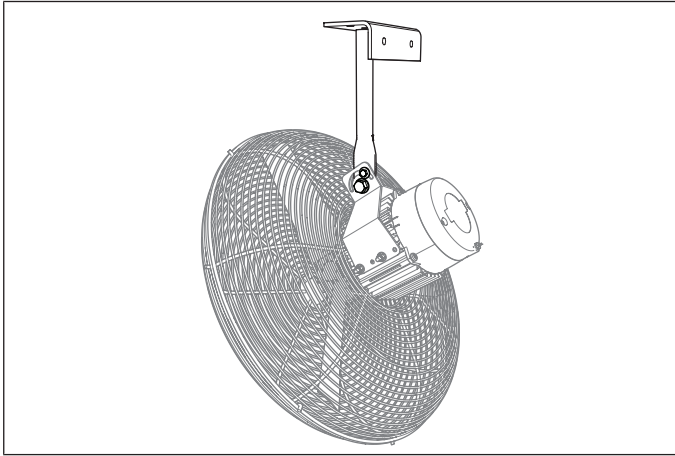


Ilustración 2: Soporte de suspensión disponible opcionalmente - modelo 2

El ventilador debe estar suspendido de una estructura rígida.

Verifique que la estructura de la que está suspendido el ventilador puede soportar el peso del mismo.

Asegúrese de que el ventilador está suspendido de forma suficientemente rígida, para evitar que el ventilador se balancee o se sacuda como resultado de las fuerzas generadas por el ventilador.

### Agujeros de drenaje de condensado

El motor del ventilador tiene agujeros de drenaje para permitir que la condensación que se puede formar en el interior del motor puede salir del motor. Después de la instalación, el agujero de drenaje en el punto más bajo del motor debe estar abierto, los otros agujeros de drenaje deben estar cerrados.

Los tapones de drenaje de condensado de repuesto se suministran con el ventilador. Mantenga todos los tapones de drenaje, ya que deben volver a insertarse temporalmente en los agujeros de drenaje abiertos durante la limpieza en húmedo.

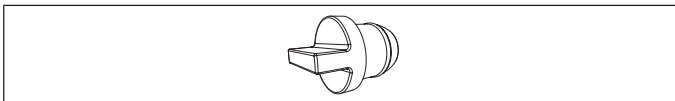


Ilustración 3: Tapón de drenaje de condensado

## ADVERTENCIA

Este ventilador debe ser instalado con la parte móvil más baja al menos a 2,7m sobre el suelo o el nivel de referencia.

## 4.2 Eléctrico

### Esquema de cableado

El esquema de cableado figura en el interior de la tapa de la caja de terminales. El esquema de cableado también figura en la ficha técnica.

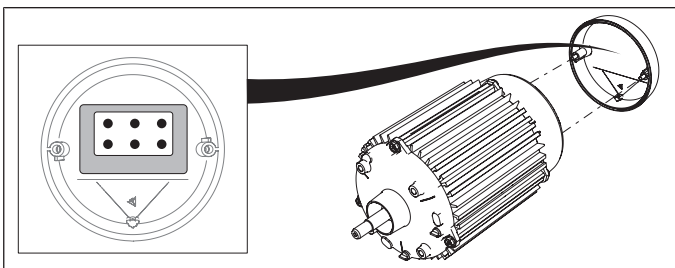


Ilustración 4: Localización del esquema de cableado

## AVISO

Todos los trabajos en equipos eléctricos deben ser realizados por un electricista calificado. Las conexiones eléctricas deben ser hechas de acuerdo con las regulaciones locales.

Compruebe toda la información en la placa de características y comprobar que este ventilador es adecuado para el suministro eléctrico.

Para motores de ventiladores 3~: comprobar que ESTRELLA / DELTA está correctamente configurado en la regleta de bornes.

**AVISO! ESTRELLA es para ALTO voltaje / DELTA es para BAJO voltaje**


### Control

Este producto se suministra sin control o sistema de control. Para el funcionamiento del ventilador se debe prever un mando o un sistema de mando.

### Aislador

Este ventilador se suministra sin aislador eléctrico. Se debe proporcionar un aislador eléctrico para facilitar el mantenimiento seguro y la resolución de problemas.

### Puesta a tierra

 El ventilador debe estar conectado a tierra. Conecte a tierra el ventilador de acuerdo con las regulaciones locales.

## AVISO

### Protección de sobrecorriente

El uso de un dispositivo de protección contra sobrecorriente separada individual por ventilador es muy recomendable.

## AVISO

### Protección de sobrecarga

El uso de un dispositivo de protección de sobrecarga separado individual (disyuntor de protección del motor) por ventilador es muy recomendable.

## 4.2.1 Protección térmica

### 1~ protección térmica del motor del ventilador

Los detectores térmicos están incorporados de serie en los motores de ventiladores 1~. Los detectores térmicos son del tipo termostato TB: apertura del termostato al aumentar la temperatura.

En los ventilador motores 1~, el termostato está conectado por defecto en serie con la fase (L) de la alimentación. Cuando el motor se sobrecalienta, el termostato apagará el motor automáticamente y una vez que el motor se haya enfriado, el motor volverá a arrancar automáticamente.

La presencia del texto "Thermally Protected" en la placa de características y/o en la hoja de datos indica que la protección térmica está incorporada en el motor del ventilador 1~ y que está cableada en serie con la fase (L) de la alimentación.

**ADVERTENCIA**

Si el arranque inesperado del termostato de reposición automática puede causar un peligro o está prohibido por las regulaciones locales, debe conectarse a un circuito de control que no permita que el motor vuelva a arrancar hasta que el circuito se reajuste manualmente.

**3~ protección térmica del motor del ventilador (opcional)**

Los detectores térmicos están disponibles opcionalmente en motores de ventilador 3~. Los detectores térmicos son del tipo termostato TB: apertura del termostato al aumentar la temperatura.

En los motores 3~, el termostato está por defecto cableado a terminales separados del bloque de terminales. Aquí se puede conectar un circuito de control externo. **AVISO! Los termostatos en motores 3~ no se pueden cablear en serie con la fuente de alimentación.**

**Carga máxima del termostato (TB)**

Al conectar un circuito de control externo a los termostatos, deben observarse los siguientes límites de carga:

|   |             |
|---|-------------|
| AC  | ≤ 500 V     |
|  | ≤ 1,6 A     |
|   | Cos φ ≥ 0,6 |
| DC  | ≤ 12 V      |
|  | ≤ 40 A      |

Tabla 1: Carga máxima del termostato (TB)

**4.2.2 Control de velocidad**

Verifique que este ventilador sea adecuado para el control de velocidad. En la hoja de datos y en la placa de características se encuentran los siguientes códigos (combinación de los mismos):

F = adecuado para el control de frecuencia / VFD (Variador de Frecuencia)

E = adecuado para el control electrónico de la tensión (TRIAC / corte de fase)

T = adecuado para el control de la tensión del transformador

**ADVERTENCIA**

Si ninguno de estos códigos aparece en la lista, este ventilador no se puede controlar la velocidad!

**Variador de frecuencia (control / frecuencia FC)**

- No reduzca la frecuencia a menos del 20% de la frecuencia nominal indicada en la placa de características.
- Cuando se utiliza un variador de frecuencia, las instrucciones de cableado del fabricante del variador de frecuencia se deben seguir.

**ADVERTENCIA**

No aumente la frecuencia por encima del valor nominal indicado en la placa de características

**Control electrónico de la tensión (TRIAC / ESTADO SÓLIDO / corte de fase)**

- No reduzca el voltaje a menos del 40% del voltaje nominal indicada en la placa de características.
- Ruido del motor (zumbido) puede ocurrir debido a este tipo de control

**Regulación de tensión por transformador**

- No reduzca el voltaje a menos del 40% del voltaje nominal indicada en la placa de características.

**Para los EE.UU:**

Sólo para ventiladores 3~:

**ADVERTENCIA**

Para reducir el riesgo de incendio o descarga eléctrica, no use este ventilador con ningún dispositivo sólido de control de velocidad.

**Sólo para Canadá:**

Sólo para ventiladores 3~:

**ADVERTENCIA**

NO APTO PARA SU USO CON CONTROLES DE VELOCIDAD DE ESTADO SÓLIDO

**4.3 Instrucciones de instalación de UL****ADVERTENCIA**

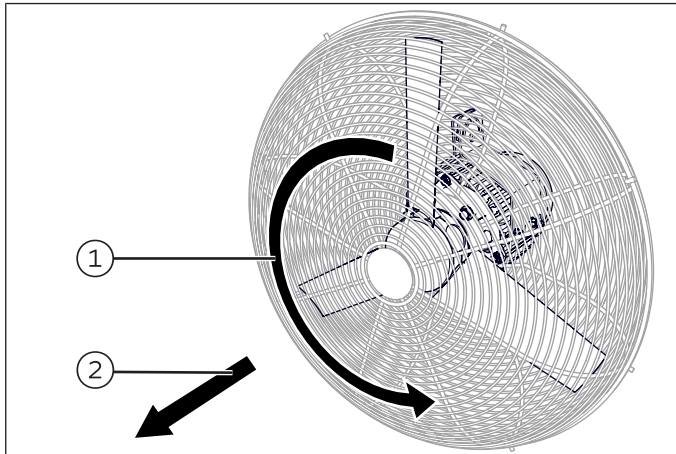
Para reducir el riesgo de incendio, descarga eléctrica o lesiones a personas, observe lo siguiente:

- El trabajo de instalación y el cableado eléctrico debe ser realizado por una persona calificada de acuerdo con todos los códigos y normas aplicables, incluyendo la construcción resistente al fuego.
- Se necesita suficiente aire para la combustión adecuada y el escape de gases a través de la chimenea del equipo de combustión para evitar que se vuelvan a formar. Siga las directrices y normas de seguridad del fabricante del equipo de calefacción, como las publicadas por la Asociación Nacional de Protección contra Incendios (NFPA) y la Sociedad Americana de Calefacción, Refrigeración y Aire Acondicionado (ASHRAE) y las autoridades locales.
- Al cortar o perforar la pared o el techo, no dañe el cableado eléctrico ni otros servicios ocultos.
- Los ventiladores con conductos siempre deben tener salida al exterior.

**Pueden ser limpiado por manguera con agua**

Este ventilador es IP55 y se puede lavar con manguera con agua. El instalador debe utilizar un conducto rígido o un tubo metálico eléctrico con accesorios estancos a la lluvia, o un conducto flexible metálico o no metálico estanco a los líquidos con un accesorio aceptable.

## 5 Puesta en marcha



- |   |                                  |
|---|----------------------------------|
| 1 | Sentido de rotación de la hélice |
| 2 | Dirección del flujo de aire      |

### Antes de la puesta en marcha inicial, compruebe que:

1. La instalación y la conexión eléctrica se han completado correctamente.
2. No material extraño está presente dentro de la caja del ventilador y ventilador.
3. Todos los dispositivos de seguridad necesarios, como los protectores, están en su lugar.

### Puesta en marcha inicial

1. Conecte brevemente la fuente de alimentación y compruebe si la hélice gira en la dirección correcta. Corregir si es necesario:
  - Para 3 ~ ventiladores intercambio cualquier 2 de las 3 fases de la alimentación.
  - Para ventiladores 1~, póngase en contacto con su proveedor.
2. Ponga en marcha el ventilador y compruebe el funcionamiento silencioso (sin ruidos inusuales) y con pocas vibraciones. Compruebe que el consumo de corriente está dentro de los límites de carga máxima indicados en la placa de características y en la hoja de datos.
3. Consulte la sección de solución de problemas de estas instrucciones si algo parece fuera de lo normal.

## 6 Funcionamiento

Siempre esté alerta cuando el ventilador está en funcionamiento. Inmediatamente desconectar y aislar el ventilador del suministro eléctrico si algo parece fuera de lo común. Consulte la sección de solución de problemas de estas instrucciones si algo parece fuera de lo normal.



### PELIGRO

Si el incorporado en la protección térmica está en serie con la fuente de alimentación y se activa, el motor del ventilador automáticamente se volverá a empezar después de haberse enfriado.

Riesgo de lesiones debido a un arranque inesperado.



### ATENCIÓN

El motor del ventilador puede calentarse durante el funcionamiento

No lo toque para evitar quemaduras

## Uso infrecuente

Si el ventilador se usa con menos frecuencia que una vez al mes, haga funcionar el ventilador cada mes por lo menos 2 horas a toda velocidad para evitar la acumulación de humedad en el motor del ventilador y para mantener el lubricante de los cojinetes en buenas condiciones.

## 7 Mantenimiento



### PELIGRO

Desconectar y aislar completamente el ventilador de la alimentación eléctrica antes de comenzar el mantenimiento.



### ADVERTENCIA

Todos los elementos móviles deben estar completamente parados antes de iniciar el mantenimiento.

### 7.1 Programa de mantenimiento

#### ► Trabajos de mantenimiento - CADA MES

1. Comprobar si la carcasa del ventilador presenta defectos y eliminar la suciedad acumulada.
2. Comprobar el motor y eliminar la suciedad acumulada en el motor y entre las aletas de refrigeración del motor.
3. Comprobar si hay defectos en la hélice y eliminar la suciedad acumulada.
4. Examine el estado de las protecciones (si están instaladas) y elimine la suciedad que se haya acumulado.

#### ► Trabajos de mantenimiento - CADA 3 MESES

1. Compruebe el estado de los rodamientos.
2. Compruebe el apriete de los tornillos y fijaciones.

#### ► Tareas de mantenimiento - A REALIZAR ANUALMENTE

1. Sólo para motores de ventilador 1~: comprobar la capacidad del condensador.

### 7.2 Temas de mantenimiento

#### Limpieza

En las zonas de aplicación en las que existen altos niveles de contaminación, los intervalos de limpieza deberán ajustarse en consecuencia.

La limpieza se realiza preferentemente con un cepillo suave. No utilice detergentes agresivos, disolventes o productos químicos para la limpieza.

#### Limpieza en húmedo:

Se permite la limpieza en húmedo con agua limpia a baja presión. Evitar dirigir chorros de agua en los cojinetes y las conexiones eléctricas tanto como sea posible.

Cuando se planea la limpieza en húmedo, cierre los agujeros de drenaje de condensado abiertas antes de comenzar la limpieza en húmedo.



### ADVERTENCIA

No utilice un limpiador de alta presión!

El agua puede penetrar las conexiones eléctricas y los cojinetes.

#### ► Después de la limpieza en húmedo

1. Abra el agujero de drenaje de condensado en el punto más bajo del motor del ventilador.

- Ejecutar el ventilador 2 horas a toda velocidad para eliminar cualquier humedad que pueda haber entrado en el motor del ventilador.

### Cojinetes

Los cojinetes utilizados en el ventilador y/o motor del ventilador no necesitan mantenimiento y están engrasados de por vida. La vida útil media durante el funcionamiento normal es de más de > 30.000 horas.

Los defectos en los cojinetes pueden ser detectados por la audición. Cuando el eje/la hélice es girado a mano, debe moverse libremente con un sonido suave y uniforme. Chirridos o molienda ruidos indican los cojinetes pueden requerir reemplazo.

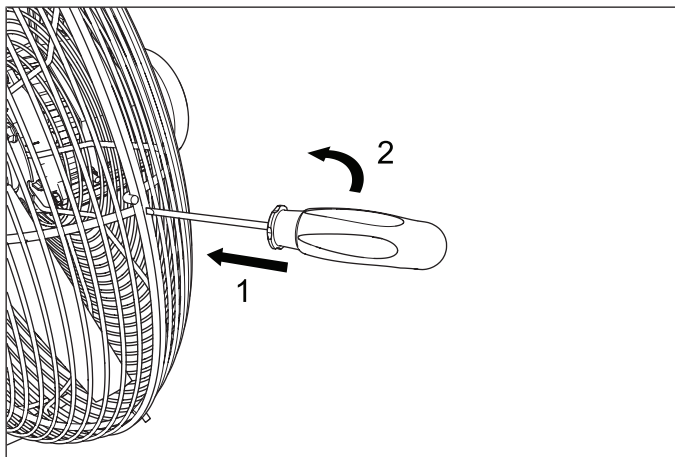
### Hélice

La limpieza de la hélice es muy importante. Una hélice sucia sufrirá un desequilibrio que provocará vibraciones. Una hélice sucio también reducirá el rendimiento del ventilador y la eficiencia del mismo.

### Condensador (1~ motor)

La capacidad del condensador disminuye lentamente con el tiempo. La vida útil promedio es de ± 30.000 horas. Reemplace el condensador cuando la capacidad haya caído por debajo del valor indicado en el condensador.

## 7.3 Desmontaje de la rejilla de protección para el mantenimiento



- Con un destornillador de ranura, desenganche la protección delantera de la protección trasera.
- Después del mantenimiento, vuelva a enganchar la protección delantera a la trasera con un destornillador de ranura.

## 8 Solución de problemas y reparaciones



### ADVERTENCIA

La solución de problemas y las reparaciones deben ser realizadas sólo por personas capacitadas!

| Fallo   | Posible causa   | Solución posible  |
|---|---|---|
| La vibración excesiva   | Desequilibrio del hélice-> hélice dañado  | Reemplace el hélice   |
|   | Desequilibrio del hélice-> hélice sucio   | Limpe el hélice   |
|   | Cojinetes dañados o desgastados   | Sustituir los cojinetes   |
| El ventilador no arranca  | No hay energía suministrada al ventilador   | Comprobar todas las fuentes de alimentación<br>Compruebe el fusible / disyuntor   |
|   | (Si está presente) VFD (Unidad de frecuencia variable) defectuoso                                 | Compruebe el VFD (consulte las instrucciones del fabricante del VFD)  |
| El ventilador no arranca<br>(Tensión de alimentación en los terminales del motor está presente) | Protección térmica activada<br>(Motor del ventilador se ha sobrecalentado)                        | Limpiar el motor<br>Compruebe si hay sobrecarga en el sistema de ventilación (¿está bloqueada la entrada o el escape?)<br>Comprobar si la tensión de alimentación no está demasiado alta o demasiado baja |
|   | Hélice bloqueado  | Eliminar la obstrucción   |
|   | Sólo para motores 1~: condensador incorrecto o defectuoso   | Reemplazar el condensador de arranque   |
|   | Temperatura demasiado baja para la grasa de los cojinetes   | No haga funcionar el ventilador fuera del rango de temperatura ambiente especificado en la placa de características y en la hoja de datos técnicos  |
|   | El ventilador está sobrecargado   | Compruebe si hay sobrecarga en el sistema de ventilación (¿está bloqueada la entrada o el escape?)  |
| El motor se sobrecalienta mientras está en marcha   | El motor del ventilador se ha sobrecalentado debido a la suciedad en las aletas de refrigeración. | Limpiar el motor  |
|   | Tensión de alimentación demasiado alta o demasiado baja   | Comprobar la fuente de alimentación   |
|   | Frecuencia de alimentación incorrecta   | Comprobar la fuente de alimentación   |
|   | Sólo para motores 3~: desequilibrio de tensión de fase  | Comprobar la fuente de alimentación   |

| Fallo   | Posible causa  | Solución posible   |
|---|--|--|
|   | Sólo para motores 1~: condensador incorrecto o defectuoso      | Reemplazar el condensador de arranque  |
| El ventilador gira en la dirección equivocada       | 1~ motores de ventilador: condensador mal conectado            | Conectar según el esquema de conexión (contactar con el proveedor)                                 |
|   | 3~ motores de ventilador: alimentación mal conectada           | Para 3 ~ ventiladores intercambio cualquier 2 de las 3 fases de la alimentación.                   |
| La velocidad del ventilador (rpm) es demasiado baja | La tensión de alimentación es demasiado baja                   | Comprobar la fuente de alimentación  |
|   | Frecuencia de alimentación incorrecta                          | Comprobar la fuente de alimentación  |
|   | Sólo para ventiladores 1~: condensador incorrecto o defectuoso | Reemplazar el condensador de arranque  |
|   | Sólo para ventiladores 3~: STAR en lugar de DELTA conectado    | Conectar como DELTA<br>Compruebe el diagrama de cableado!  |
|   | 3~ motores de ventilador: Fallo de fase                        | Restaurar las 3 fases  |
| Alto consumo de energía                             | El ventilador está sobrecargado                                | Compruebe si hay sobrecarga en el sistema de ventilación (¿está bloqueada la entrada o el escape?) |
|   | Velocidad del ventilador demasiado alta                        | Comprobar la tensión de alimentación y la frecuencia   |
| Ruidos inusuales o excesivos                        | La hélice golpea la carcasa del ventilador                     | Comprobar la instalación y las fijaciones y la alineación  |
|   | El ventilador funciona fuera de su rango de trabajo            | Reducir la resistencia del sistema<br>(Entrada o salida bloqueada)                                 |
|   | Cojinetes dañados o desgastados                                | Sustituir los cojinetes  |

Las instrucciones detalladas de reparación y reemplazo están disponibles en su proveedor o en Vostermans Ventilation B.V.

Se recomienda encarecidamente utilizar piezas genuinas sólo para el servicio y las reparaciones.

## 9 Fin de vida útil






### Eliminación

Al final de la vida de este ventilador, disponer de él adecuadamente de acuerdo con las regulaciones que se aplican en su área.

### Reciclaje

Los principales materiales usados en el motor eléctrico son de cobre, acero y aluminio.

La mayoría de las piezas del ventilador tienen el símbolo de reciclaje con el código de material listado en ellas para facilitar el reciclaje adecuado. Algunas piezas están hechas de materiales fáciles de identificar, como el acero, y no tienen ningún símbolo de reciclaje.

| Símbolo   | Material                                    |
|---|---|
|  | Polipropileno                               |
|  | ABS (acrilonitrilo butadieno estireno)      |
|  | Poliamida                                   |
|  | Polipropileno reforzado con fibra de vidrio |
|  | Aluminio                                    |

*Es posible que no todos los símbolos anteriores aparezcan en partes de este producto. Esto se debe a que el material en cuestión no está presente en este producto.*

## Glosario

### Atmósfera explosiva

Por "atmósfera explosiva" se entiende una mezcla de aire, en condiciones atmosféricas, con sustancias inflamables en forma de gases, vapores, nieblas o polvos en la que, tras la ignición, la combustión se propaga a toda la mezcla no quemada.

### Nivel de referencia

El nivel en el que las personas normalmente se paran durante el uso de este ventilador. El nivel de referencia no es necesariamente el suelo o la planta.

### Persona capacitada

Persona con la educación técnica, la capacitación o la experiencia pertinentes para poder percibir los riesgos y evitar los peligros que se producen durante el uso de un producto.

# Multifan



is a brand of Vostermans Ventilation B.V.



**VOSTERMANS**  
VENTILATION

YOUR SPECIALIST IN AIR

Venlo - The Netherlands  
Tel. +31 (0)77 389 32 32  
[ventilation@vostermans.com](mailto:ventilation@vostermans.com)

Bloomington, IL- USA  
Tel. +1 309 827-9798  
[ventilation@vostermansusa.com](mailto:ventilation@vostermansusa.com)

Tmn Klang Jaya - Malaysia  
Tel. +60 (0)3 3324 3638  
[ventilation@vostermansasia.com](mailto:ventilation@vostermansasia.com)

Shanghai - China  
Tel. +86 21 5290 2889/2899  
[ventilation@vostermanschina.com](mailto:ventilation@vostermanschina.com)

[www.vostermans.com](http://www.vostermans.com)

DocumentID: INS00012-B  
Created: 13 July 2023



I N S 0 0 0 1 2