



Technical data

Voltage	U	120	V
Phase		1	~
Frequency	f	60	Hz
Speed	n	1500	RPM
Power consumption	P _e	460	W
Nominal current	I _{nom}	3.9	A
Maximum current	I _{max}	4.4	A
Cos φ		0.97	
Capacitor		20/250	μF/V
Ambient temperature	T _{amb min/max}	-13...104	°F
Insulation Class		CL.F	
IP Class		IP55	
Sound pressure level (6.6 ft)	L _p (meas.)	77	dB(A)
Sound pressure level (23 ft)	L _p (calc.)	66	dB(A)
Weight		0.4	Lbs.

Fan details

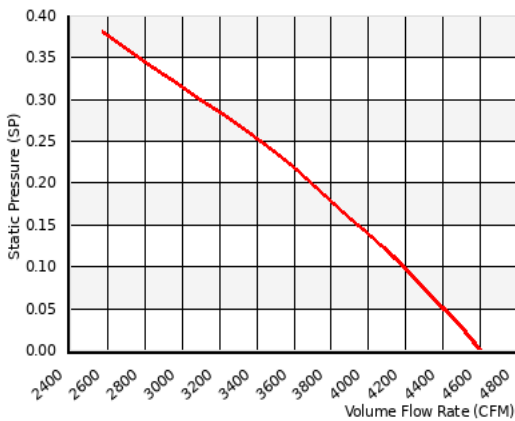
Impeller blades	6
Impeller type	3
Impeller system	C
Impeller material	PP

Control options

Triac controller	Yes
Transformer	Yes
Frequency drive	No

Characteristics

0.00 in. wg	4620 CFM
0.20 in. wg	3680 CFM



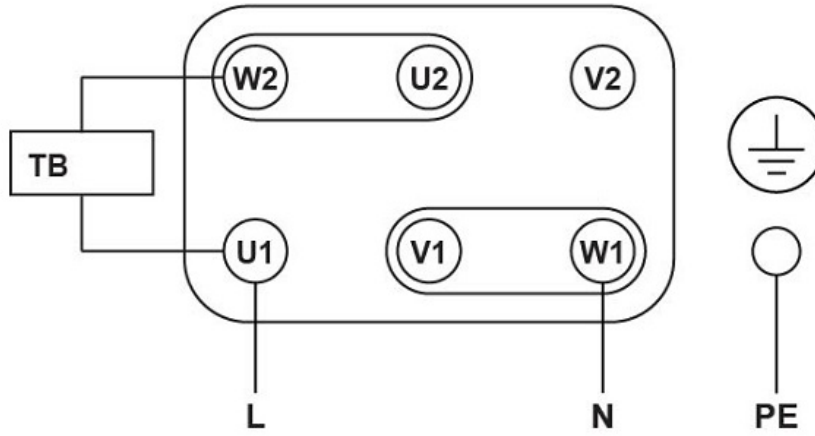
Please note: Picture may deviate from original product

Approval(s)



Wiring diagram

C2 - 1 Phase - Dual Low voltage - CCW

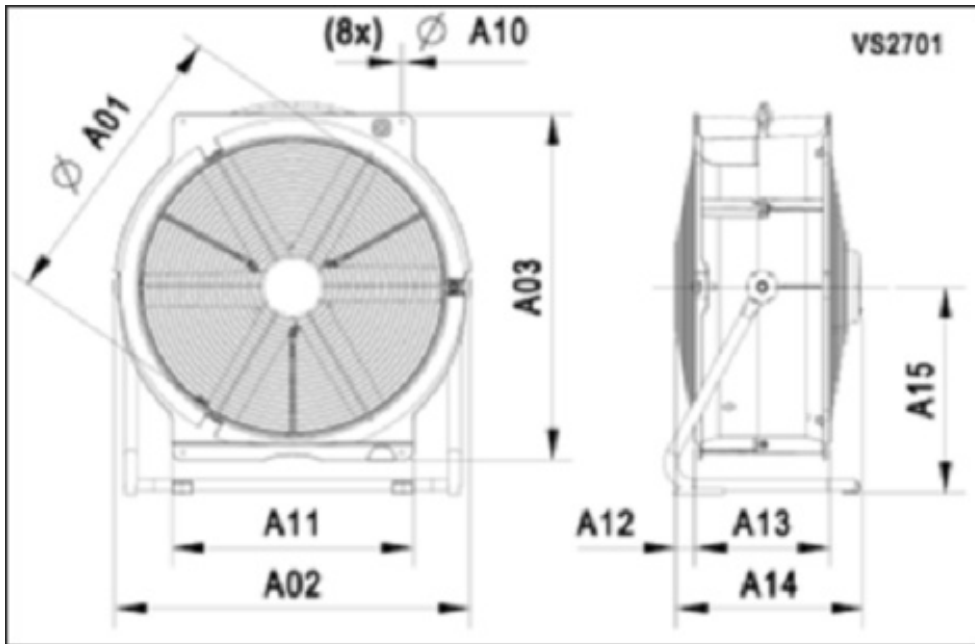


S0000010696A

Article number: B4E50K2M72392

Mobile fans

Dimensions



A01:	20.4 inch
A02:	24.4 inch
A03:	24.4 inch
A10:	0.3 inch
A11:	16.5 inch
A12:	1.3 inch
A13:	9.3 inch
A14:	12.9 inch
A15:	14.5 inch