



Technical data

Voltage	U	120	V
Phase		1	~
Frequency	f	60	Hz
Speed	n	1610	RPM
Power consumption	P _e	280	W
Nominal current	I _{nom}	2.4	A
Maximum current	I _{max}	2.9	A
Cos φ		0.97	
Capacitor		20/250	μF/V
Ambient temperature	T _{amb min/max}	-13...104	°F
Insulation Class		CL.F	
IP Class		IP55	
Weight		0.3	Lbs.

Fan details

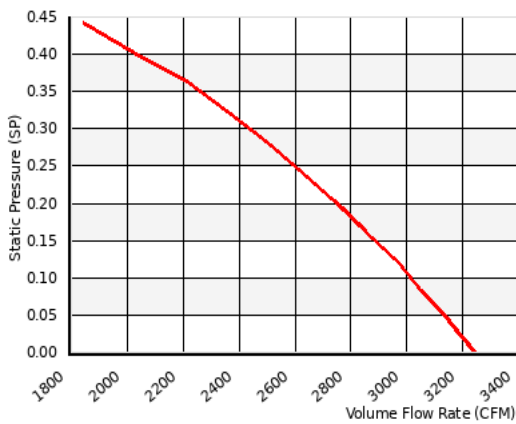
Impeller blades	6
Impeller type	3
Impeller system	C
Impeller material	PP

Control options

Triac controller	Yes
Transformer	Yes
Frequency drive	No

Characteristics

0.00 in. wg 3240 CFM
 0.20 in. wg 2740 CFM

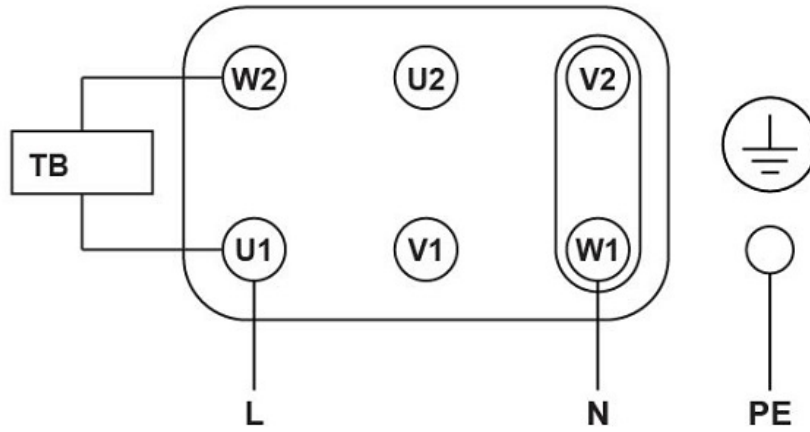


Please note: Picture may deviate from original product

Approval(s)

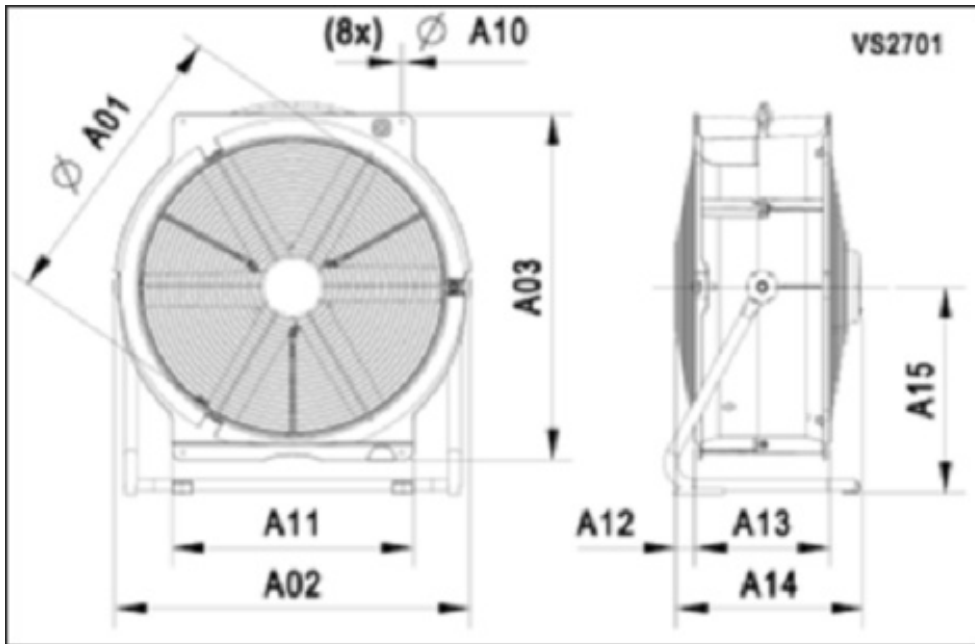
Wiring diagram

C1 - 1 Phase - Standard - CCW



S0000010695A

Dimensions



A01:	16.5 inch
A02:	20.3 inch
A03:	20.5 inch
A10:	0.3 inch
A11:	14.4 inch
A12:	1.5 inch
A13:	8.5 inch
A14:	12.6 inch
A15:	12.0 inch