



Congratulations for choosing Cozy - Heater Wall mounted heater, a product engineered for efficiency, safety and longevity. The panels are manufactured to resist humidity throughout its lifetime. Insulation and thermal movement are taken care of by using special flexible encapsulating resins.

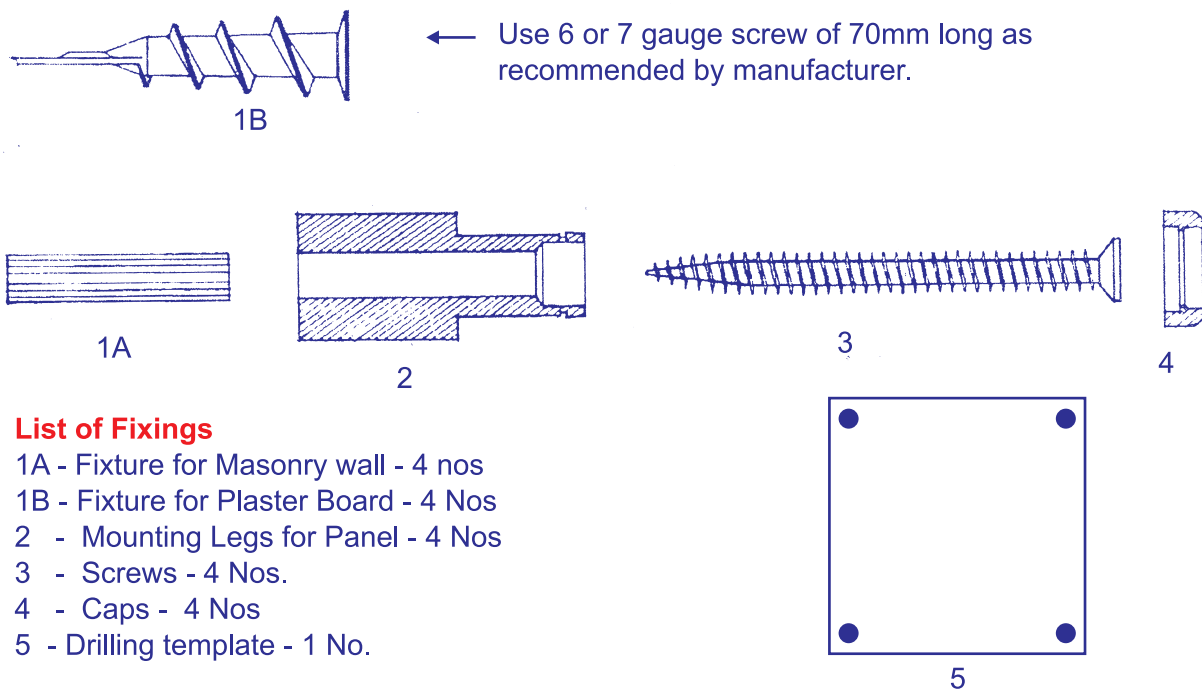
Cozy Heater - Top and bottom edge wing protrusions (patents applied for) that prevent the panel and covering from overheating if the heater is accidentally covered. Incorporated to prevent a fire hazard, this feature is exclusive to Cozy - Heater wall heaters.

Cozy - Heaters have an exclusive feature of a separate heat barrier (patents applied for) which is installed on the wall behind the panel, thereby greatly reducing the heat loss through the wall. Consequently, the efficiency of the panel is improved, heating the room quicker while attaining a higher room temperature for the same electrical rating. It provides same room comfort with 20% less energy consumption than other panels, when used in conjunction with a thermostat. It is optional extra at nominal cost.

Cozy - Heaters are available in a wide range of sizes, from a small 250W model, through the intermediate models of 420W and a large 600W model, making them the most versatile wall mounted panel heating system of its kind in the world.

Cozy - Heaters are manufactured and tested to international standards and certifications, thereby ensuring you of a long and efficient service life. The panels are CB certified, UL approved and ROHS compliant.

### Installation kit includes :



#### List of Fixings

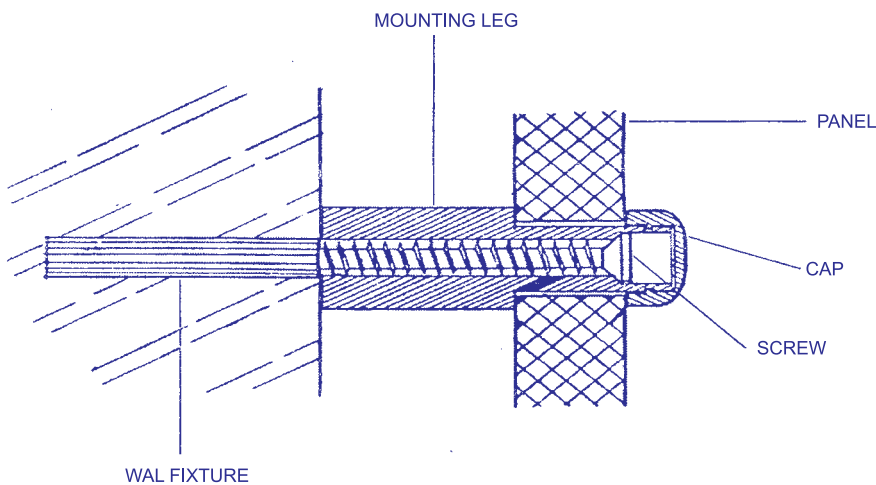
- 1A - Fixture for Masonry wall - 4 nos
- 1B - Fixture for Plaster Board - 4 Nos
- 2 - Mounting Legs for Panel - 4 Nos
- 3 - Screws - 4 Nos.
- 4 - Caps - 4 Nos
- 5 - Drilling template - 1 No.

#### Tools required :

Level or tape measure or ruler, Electric drill, Medium sized Phillips screwdriver

## Installation instructions

1. Ideally, Cozy - Heater should be installed not more than 12" (300mm) above floor level. However, higher locations can also be utilised but heaters efficiency will be reduced. For maximum efficiency do not install under windows or near open doors.
2. **Warning :** In order to avoid over heating **Do not cover the heater.**  
Heater must not be located immediately below or above an electric socket-outlet.  
Do not omit or modify heating panel's mounting legs.  
Cozy - Heater must not be drilled and only the provided fixing holes should be used for mounting.  
If the supply cord or plug becomes damaged it must be replaced by the manufacturer, its service agent, or similarly qualified person in order to avoid a hazard.
3. Use the template provided in the box to mark the panel fixing holes. Use a spirit level or other means to ensure that the marking is in level.
4. Drill four holes in the wall using the marks from step 3. and information provide below.
  - a. **Masonry wall :** Drill 6 mm (7/32") dia holes to a depth of 40mm (1 1/2"). Insert masonry wall anchors.
  - b. **Plaster board :** Drill 6 mm (7/32") dia holes through the thickness of the plaster board. Insert dry wall anchors.
  - c. **Stud :** Drill 3mm (1/8") dia hole to a depth of 40mm (1 1/2"). No anchors are required when there is a stud behind the plaster board wall.
5. The anchors should be a firm fit in the wall. If using alternate anchors, follow the anchor manufacturer's instructions.
6. Use the provided screws for the mounting legs to the wall.



7. When all mounting legs have been secured to wall and are in line, slide the heater on to the mounting legs, if one or any mounting legs do not line up with the holes in the heater, then they must be adjusted so that the heater slides easily on to mounting legs. **DO NOT FORCE THE HEATER ON TO THE MOUNTING LEGS.** This could cause resistance between the heater and mounting legs which may induce stress to the heater resulting in cracking when the heater is in operation. **IGNORING THESE INSTRUCTIONS IS LIKELY TO VOID THE WARRANTY.**
8. When satisfied, the heater is mounted correctly ensure that the caps lock into the groove on the mounting legs.
9. Fit plug into electric socket-outlet.
10. Please read operating instructions prior to turning heater 'ON'.

## Operating and General Instructions

### And things you should know about COZY - HEATER

#### Please read in conjunction with installation Instructions

Cozy - Heaters incorporate the latest design, technology and materials, to give safe, comfortable, healthy and economical constant ambient warmth. They are not designed to compete with highwattage fan forced heaters.

Cozy - Heaters are designed to be used for long periods of time at extremely low running cost. As a rule of thumb, a 400" watt Cozy - Heater is considered adequate for a 12 m<sup>2</sup> room.

Cozy - Heater surfaces operate at a safe, even temperature, providing some radiant heat from the front of the panel but providing most heat by convection currents that rise from behind the panel and circulate heated air around the room, simultaneously drawing and heating the cold air from the floor area.

Cozy - Heaters are ideal for all rooms, including children's rooms and areas frequented by pets. Asthma and dust allergy sufferers can enjoy warmth without irritation because the air is not dried out, nor is dust circulated around the room.

Cozy - heaters are not limited to residential applications. Their benefits and advantages - equally-applicable in commercial and industrial applications.

Cozy - Heaters can be painted with water no-odor based paint to match or enhance the decor of a room. Please read disclaimer statement below.

Cozy - Heaters do not have exposed electrical elements, making them safe for use in bathrooms, but as a precaution they must be located so that the panel switch is not able to be touched by a person in a bath or shower. Ensure mounting complies with local regulations.

Cozy - Heaters like all heating appliances; are not intended to be operated by young children or infirm persons unless- they are adequately supervised or instructed by a responsible person to ensure that they can use the appliance safely. Young children should be supervised to ensure that they do not play with the heater.

Cozy - Heaters should not be positioned within 50mm (2") of furniture or other objects that may be heat sensitive.

Cozy - Heaters are for wall mounting only and to avoid electric wiring embedded in walls, should not be mounted directly above, below, or covering electric socket-outlets.



This warning symbol on an electrical appliance indicates that the appliance **MUST NOT BE COVERED**.

Cozy - Heaters must not be drilled and only the provided fixing holes should be used for mounting.

Cozy - Heaters have passed International safety standards and are covered by 24 months warranty subject to compliance with Installation and Operating Instructions.

**Disclaimer :** Application of paint or decoration to the heating panel is at purchaser's discretion and risk. The manufacturer's and/or seller's dissociation from such application precludes them from any liability, responsibility or acceptance of any claims.

## **IMPORTANT SAFETY INSTRUCTIONS**

1. Read all instructions before using this heater.
2. This heater is hot when in use to avoid burns, do not let bare skin touch hot surfaces. Keep combustible materials, such as furniture, pillows, bedding, papers, clothes and curtains at least 3 feet from the heater
3. Extreme caution is necessary when any heater is used near children or invalids, and whenever the heater is left operating and unattended. Children and invalids should not operate the heater
4. Always unplug heater when not in use.
5. Do not operate any heater with a damaged cord or plug or after the heater malfunctions, has been dropped or damaged in any manner.
6. Do not use the heater outdoors.
7. This heater is not intended for use in bathrooms, laundry areas and similar indoor locations where a person might be in contact with water and can also operate the unit. Never locate heater where it may fall into a bathtub or other water container
8. To avoid electrical shock do not turn heater **off** or **on** while you are standing in water or when your hands are in water
9. Do not run cord under carpeting. Do not cover cord with throw rugs, runners, or similar coverings. Arrange cord away from traffic area and where it will not be tripped over
10. To disconnect heater, turn the switch to off, then remove the plug from the outlet. Pull only by the plug. Do not pull on the cord when disconnecting it.
11. These heaters are for wall mounting only, and should under no circumstances be used as free standing heaters.
12. Before drilling into wall, check that the area is free of electric wiring and pipes embedded in the wall.
13. The heater must not cover, or be mounted immediately below a power outlet, or overheating of the outlet may occur .
14. Some wallpaper glues may not be resilient to elevated temperatures so it is advisable to test the wallpaper first to avoid damage.
15. A heater has hot and arcing or sparking parts inside. Do not use it in areas where gasoline, paint, or flammable liquids are used or stored.
16. COZY - HEATERS HAS NO USER SERVICEABLE PARTS INSIDE and should only be opened by authorized agent.
17. Avoid the use of an extension cord because the extension cord may overheat and cause a risk of fire. However you have to use an extension cord, if the cord shall be No. 18 AWG minimum size and rated not less than 530 watts. If an extension cord must be used it should be rated at not less than 10 Amps.
18. Use this heater only as described in this manual. Any other use not recommended by the manufacturer may cause fire, electric shock or injury to persons.
19. WARNING: In order to avoid overheating, DO NOT COVER HEATER WITH ANYTHING, including THE clothing or any other materials.
20. SAVE THESE INSTRUCTIONS.

## **LIMITED WARRANTY**

Cozy - Heaters Electric Panel Heaters are warranted against defects in workmanship and materials for two (2) years from date of purchase. This warranty does not apply if damage or malfunction occurs due to accidents, improper handling or operation; shipping damage, abuse, misuse, alterations, unauthorized repairs made or attempted, improper installation of wiring, operation with connected voltage more than 5% greater than the nameplate voltage.

In the rare instance that a heater develops very minor hairline cracks this will not normally be considered a warrantable item. If this does occur, the safety and performance of the heater will not be affected by cosmetic defects.

The customer shall be responsible for all costs incurred in the removal or reinstallation of the products, including but not limited to labor costs and shipping costs to return the heater to the Cozy - Heaters service center. Within the limitations of this warranty and at the discretion of Cozy - Heaters , we will repair or replace the heater.

Should repair or your replacement be necessary during the warranty period, contact dealer or distributor of your proof of purchase for further action.

COZY - HEATERS SHALL NOT BE LIABLE NOR DOES THIS WARRANTY COVER LIABILITY FOR INCIDENTAL OR CONSEQUENTIAL DAMAGES FOR ANY CAUSE WHATSOEVER, INCLUDING BUT NOT LIMITED TO; NEGLIGENCE, TORT, STRICT LIABILITY OR CONTRACT.

Manufactured in India by :

**SREE. V. HARSHA ENTERPRISES INDIA PVT. Ltd.**

193 Part, Phase IV, I.D.A., Cherlapally,  
Hyderabad - 500 062.

Ph : +91 (40) 27612226,

Email : she.ind2@gmail.com,

Website : sheindroomheaters.com

UL Approval No. : 3160553

CB Approval No. : 023829

NSW No. : 23449

Ref. No. COZY/SHE/NSW/0100

Rev. : 00