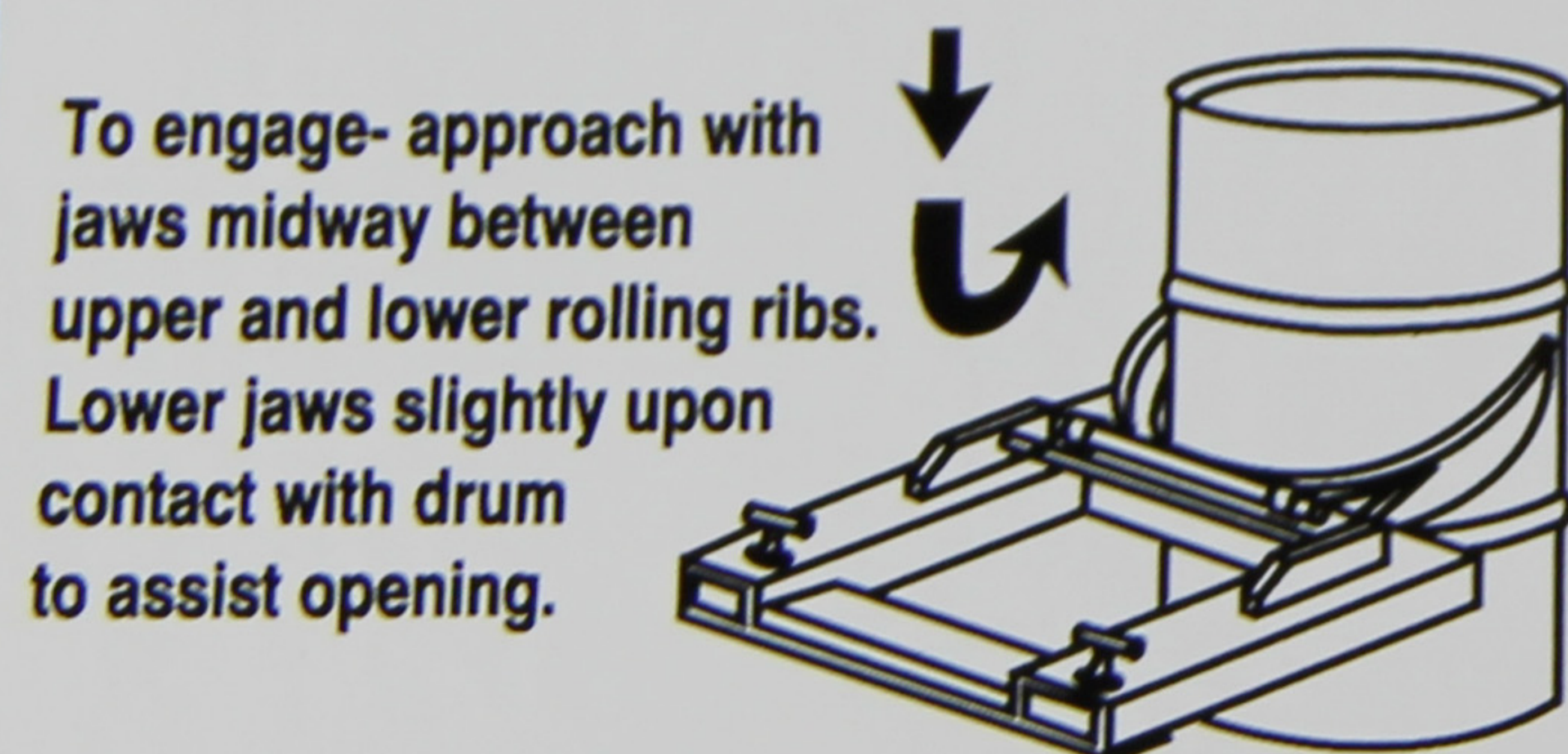


DRUM HANDLING ATTACHMENT HERCULES Industries®

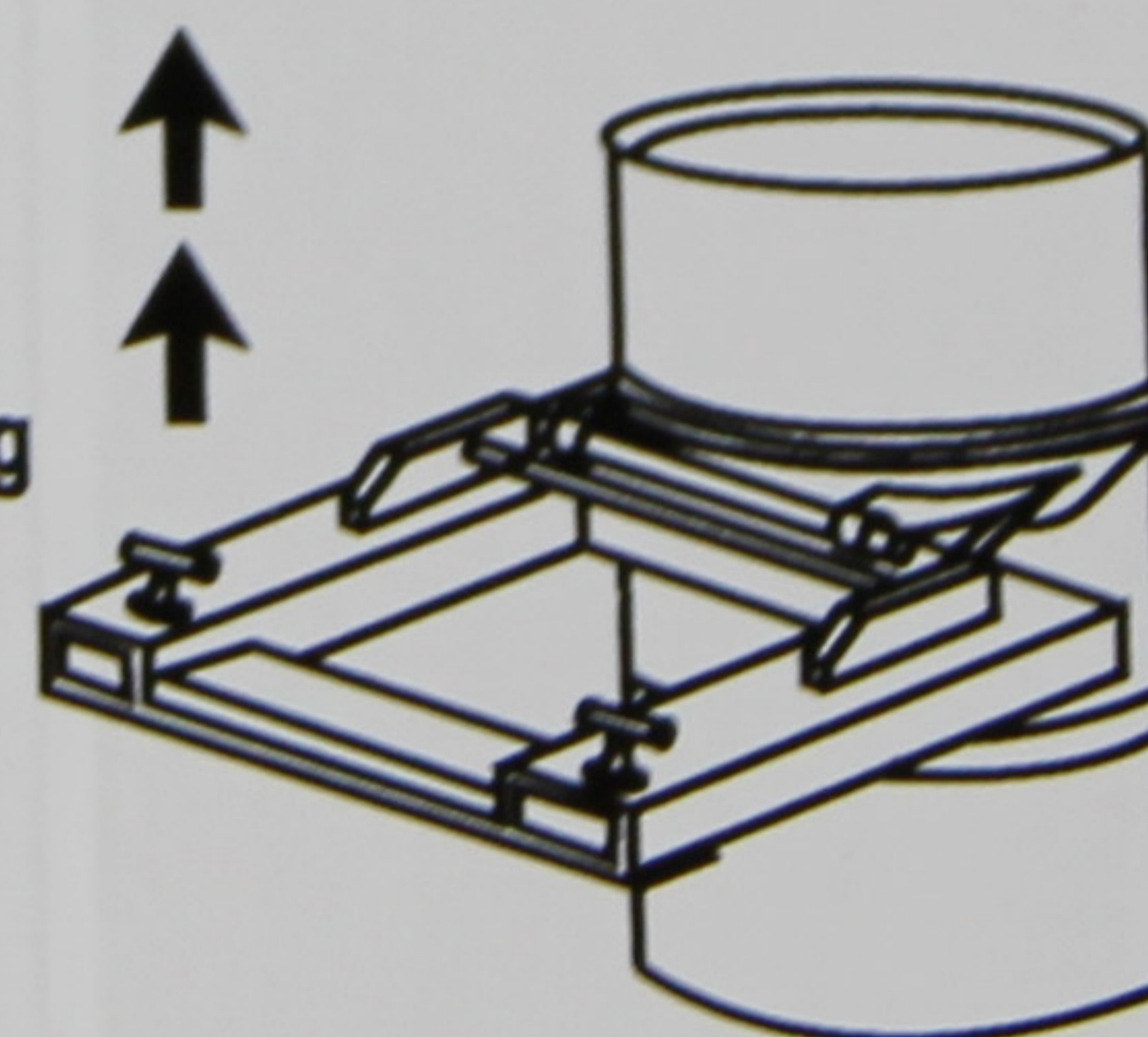
Application & Maximum Load	Attach Wt.
One 1500 lb. 55 or 30 gal. drum	147 lb.
Two 1500 lb. 55 gal. drums	225 lb.

WARNING: Slide drum handler completely onto forks and tighten both wing bolts. This attachment is intended for use on level floors in non-hazardous locations with a suitable lift truck for handling standard, undamaged steel drums with rolling ribs.

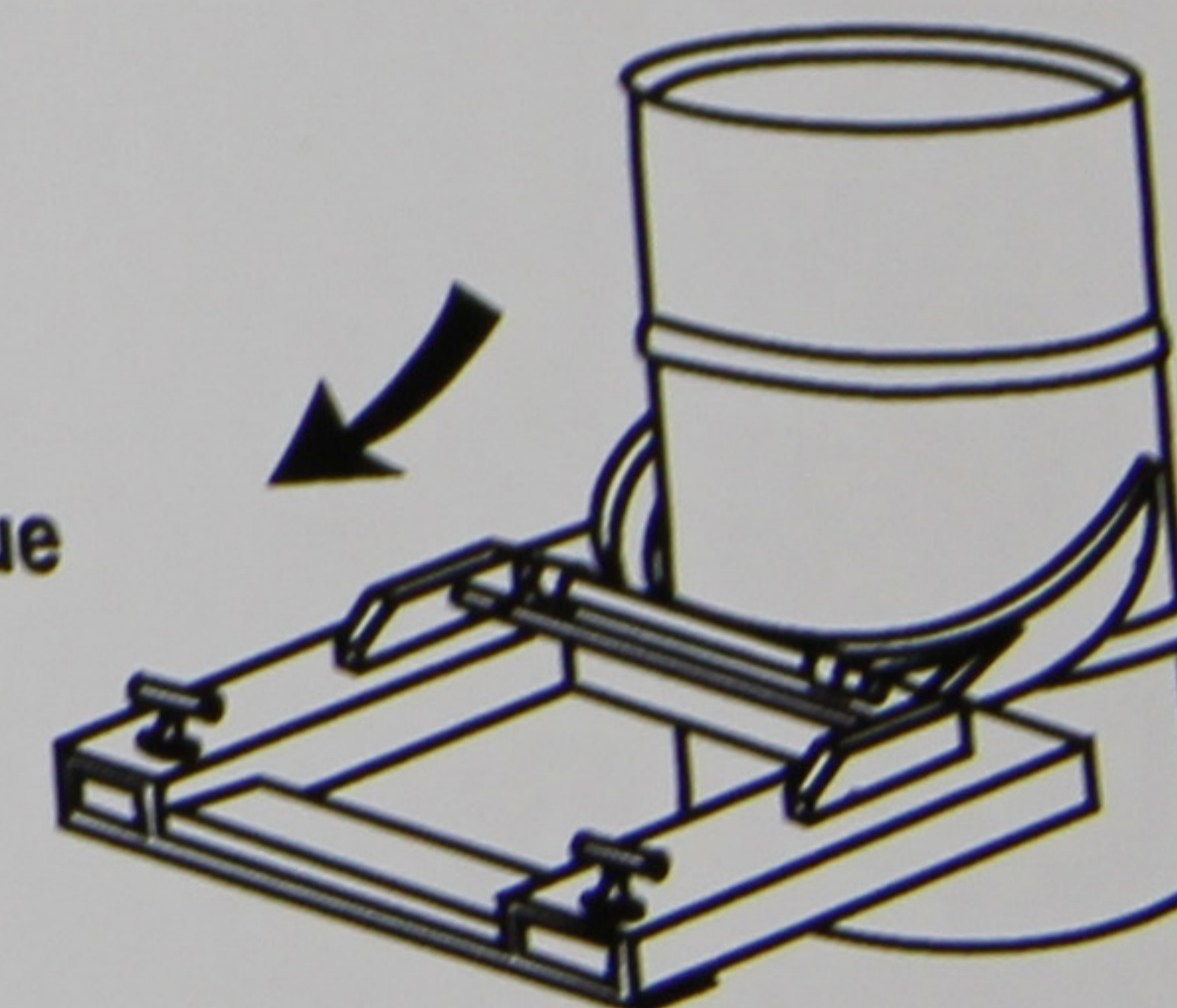
The capacity rating shown applies to the attachment only. Capacity of the lift truck and attachment combination may be less than capacity of the attachment – consult truck nameplate.



Lift drum with jaws which should grip just below upper rolling rib. Transport drum at minimum practical height and speed.



To disengage - lower until jaws contact lower rolling rib. Continue to lower and back off as jaws open.



For double drum models follow procedure as above. Both drums must be of similar construction, positioned no more than 2" apart, and have common centerline square with approach path.

MAINTENANCE:

The following inspections are recommended on a daily basis when this device is subject to frequent use, but no less than monthly:

1. Inspect the structural members and welds for cracks, deformation or excessive corrosion.
2. Inspect the bearing surfaces for excessive wear.

Discontinue use if any of the above conditions are found until repairs are made and tested.

Z41475A7