



**SIDE MOUNT STATION**  
**P/N 15726-13, 15726-15, & 15726-17**  
**S13", S15" & S17" SERIES REELS**

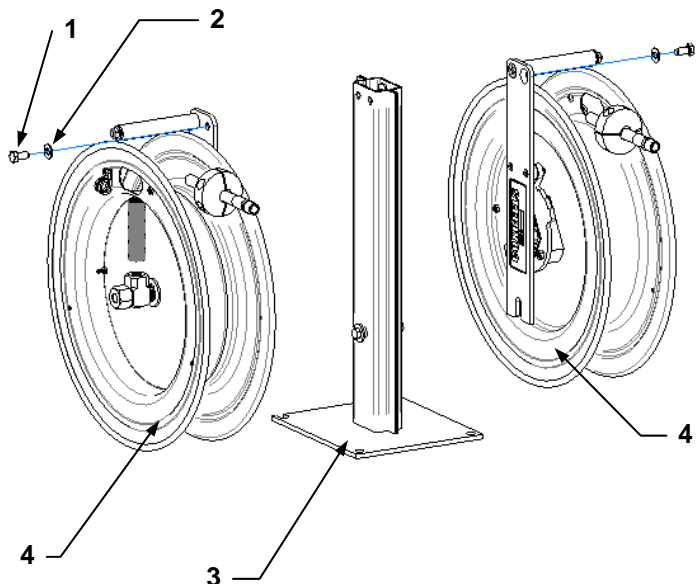
**Side Mount Station Components:**

Item:	Description:
1	3/8-16 x 3/4" hex bolt
2	3/8" washer
3	Side mount station (P/N 15726-13, -15 or -17)
4	Reel assembly (sold separately)

**Installation / Mounting:**

1. See illustration for mounting configuration and parts identification. The P/N 15726-13, -15, and -17 side mount station uses one left and one right Coxreels spring retractable reel series S13", S15" & S17", respectively.
2. Slide side mount reel (item 4), on either side of side mount station (item 3) over slot and collar. Align reel mount hole and attach with 3/8" hex bolt (item 1) 3/8" washer (item 2). Repeat procedure for opposite side.
3. Mount entire assembly with reels into cabinet using mount holes on base of side mount station and 3/8" hardware (not included).
4. For assembly drawings, parts lists, or specific repair instructions, refer to the Coxreels web site at: <http://www.coxreels.com/> or consult factory.

Coxreels, Inc., 5865 S. Ash Ave., Tempe, AZ, USA 85283  
 Tel: 1-800-269-7335



**SIDE MOUNT STATION**  
**P/N 15726-13, 15726-15, & 15726-17**  
**S13", S15" & S17" SERIES REELS**

**Side Mount Station Components:**

Item:	Description:
1	3/8-16 x 3/4" hex bolt
2	3/8" washer
3	Side mount station (P/N 15726-13, -15, or -17)
4	Reel assembly (sold separately)

**Installation / Mounting:**

1. See illustration for mounting configuration and parts identification. The P/N 15726-13, -15, and -17 side mount station uses one left and one right Coxreels spring retractable reel series S13", S15" and S17", respectively.
2. Slide side mount reel (item 4), on either side of side mount station (item 3) over slot and collar. Align reel mount hole and attach with 3/8" hex bolt (item 1) 3/8" washer (item 2). Repeat procedure for opposite side.
3. Mount entire assembly with reels into cabinet using mount holes on base of side mount station and 3/8" hardware (not included).
4. For assembly drawings, parts lists, or specific repair instructions, refer to the Coxreels web site at: <http://www.coxreels.com/> or consult factory.

Coxreels, Inc., 5865 S. Ash Ave., Tempe, AZ, USA 85283  
 Tel: 1-800-269-7335

