

---

# **ULTRA-TOW™**

## **5-FT. DELUXE ALUMINUM CARGO CARRIER WITH 5-FT. RAMP OWNER'S MANUAL**



### **WARNING:**

Read carefully and understand all **ASSEMBLY AND OPERATION INSTRUCTIONS** before operating. Failure to follow the safety rules and other basic safety precautions may result in serious personal injury.

**Item# 41082**

Thank you very much for choosing an Ultra-Tow product! For future reference, please complete the owner's record below:

Model: \_\_\_\_\_ Purchase Date: \_\_\_\_\_

Save the receipt, warranty and these instructions. It is important that you read the entire manual to become familiar with this product before you begin using it.

This cargo carrier is designed for certain applications only. The distributor cannot be responsible for issues arising from modification. We strongly recommend this cargo carrier not be modified and/or used for any application other than that for which it was designed. If you have any questions relative to a particular application, DO NOT use the cargo carrier until you have first contacted the distributor to determine if it can or should be performed on the product.

For technical questions please call **1-800-222-5381**.

## INTENDED USE

This cargo carrier fits in a 2in. receiver and can carry up to a 500-lb. load. It is ideal for use as a mobility carrier, a transporter for lawn equipment or to provide additional cargo space.

## TECHNICAL SPECIFICATIONS

<b>Capacity</b>	500 lbs. (227kg)
<b>Construction</b>	Extruded aluminum carrier and ramps. Formed steel hitch and hitch plate. Carbon steel hardware.
<b>Vehicle Hitch Receiver Size</b>	2in. (5cm) (Vehicle hitch requires a Class III or Class IV tow rating.)

## GENERAL SAFETY RULES



**WARNING:** Read and understand all instructions. Failure to follow all instructions listed below may result in serious injury.



**CAUTION:** Do not allow persons to operate or assemble this aluminum cargo carrier until they have read this manual and have developed a thorough understanding of how the hand truck works.



**WARNING:** The warnings, cautions, and instructions discussed in this instruction manual cannot cover all possible conditions or situations that could occur. It must be understood by the operator that common sense and caution are factors which cannot be built into this product, but must be supplied by the operator.

## SAVE THESE INSTRUCTIONS

### WORK AREA

- Keep work area clean, free of clutter and well lit. Cluttered and dark work areas can cause accidents.

- 
- Keep children and bystanders away while operating the aluminum cargo carrier. Distractions can cause you to lose control, so visitors should remain at a safe distance from the work area.
  - Be aware of all power lines, electrical circuits, water pipes and other mechanical hazards in your work area, particularly those hazards below the work surface hidden from the operator's view that may be unintentionally contacted and may cause personal harm or property damage.
  - Be alert of your surroundings. Using the aluminum cargo carrier in confined work areas may put you dangerously close to cutting tools and rotating parts.

## **PERSONAL SAFETY**

- Stay alert, watch what you are doing and use common sense when using the aluminum cargo carrier. Do not use the aluminum cargo carrier while you are tired or under the influence of drugs, alcohol or medication. A moment of inattention while operating an aluminum cargo carrier may result in serious personal injury.
- Dress properly. Do not wear loose clothing, dangling objects, or jewelry. Keep your hair, clothing and gloves away from moving parts. Loose clothes, jewelry or long hair can be caught in moving parts.
- Use safety apparel and equipment. Use safety goggles or safety glasses with side shields which comply with current national standards, or when needed, a face shield. Use as dust mask in dusty work conditions. This applies to all persons in the work area. Also use non-skid safety shoes, hardhat, gloves, dust collection systems, and hearing protection when appropriate.

## **ALUMINUM CARGO CARRIER USE AND CARE**

- Do not modify the aluminum cargo carrier in any way. Unauthorized modification may impair the function and/or safety and could affect the life of the equipment. There are specific applications for which the aluminum cargo carrier was designed.
- Always check of damaged or worn out parts before using the aluminum cargo carrier. Broken parts will affect the aluminum cargo carrier operation. Replace or repair damaged or worn parts immediately.
- Do not exceed the aluminum cargo carrier load capacity.
- Distribute the load evenly. Uneven loads may cause the aluminum cargo carrier to tip, resulting in personal injury to the operator or others. To minimize the effects of dynamic loading, make sure the load is centered on the carrier.
- Use the aluminum cargo carrier on flat and level surfaces capable of supporting the aluminum cargo carrier and its maximum load. Pulling or pushing a load on a slanted or uneven surface can result in loss of control.
- Prior to transporting a load, make sure the Ramp of the carrier is folded and secured. The load itself must also be properly secured to the carrier.
- Store idle the aluminum cargo carrier. When the aluminum cargo carrier is not in use, store it in a secure place out of the reach of children. Inspect it for good working condition prior to storage and before re-use.



**WARNING: Flammable cargo can ignite from exposure to heat. Be aware of the possible fire risk and property damage resulting from the vehicle's exhaust system pointing at or running near the cargo in the carrier. Do not use if this condition exists.**

## Tools Needed



Open Wrench (1 pc.)  
Size=24mm



Open Wrench (1 pc.)  
Size=16mm



Open Wrench (1 pc.)  
Size=13mm



Open Wrench (1 pc.)  
Size=10mm



Open Wrench (2 pc.)  
Size=8mm



Hex Key (1 pc.)  
Size=8mm

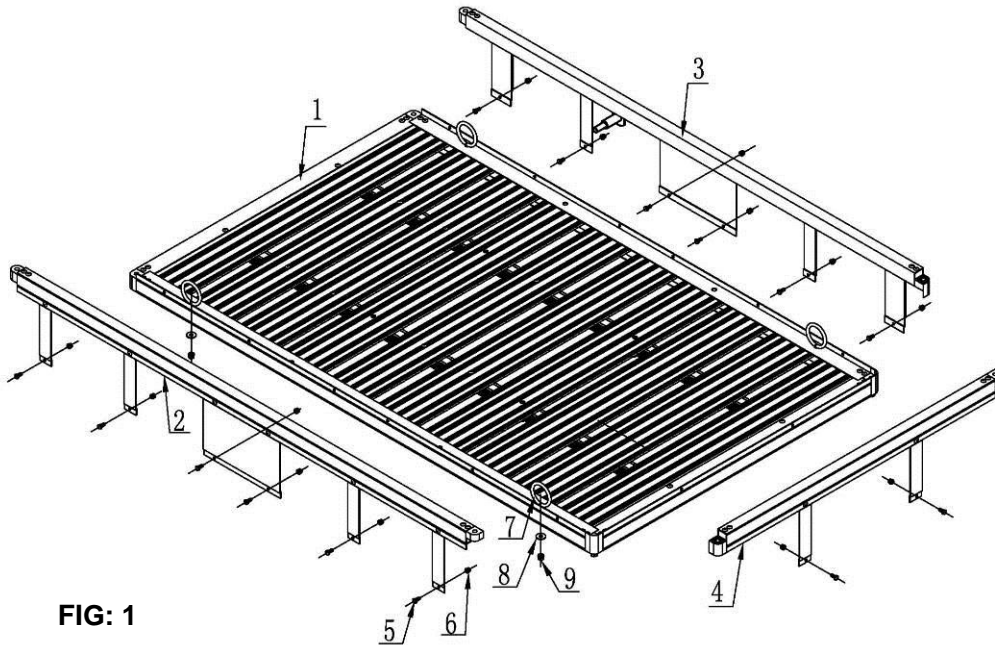


Hex Key (1 pc.)  
Size=6mm

## ASSEMBLY

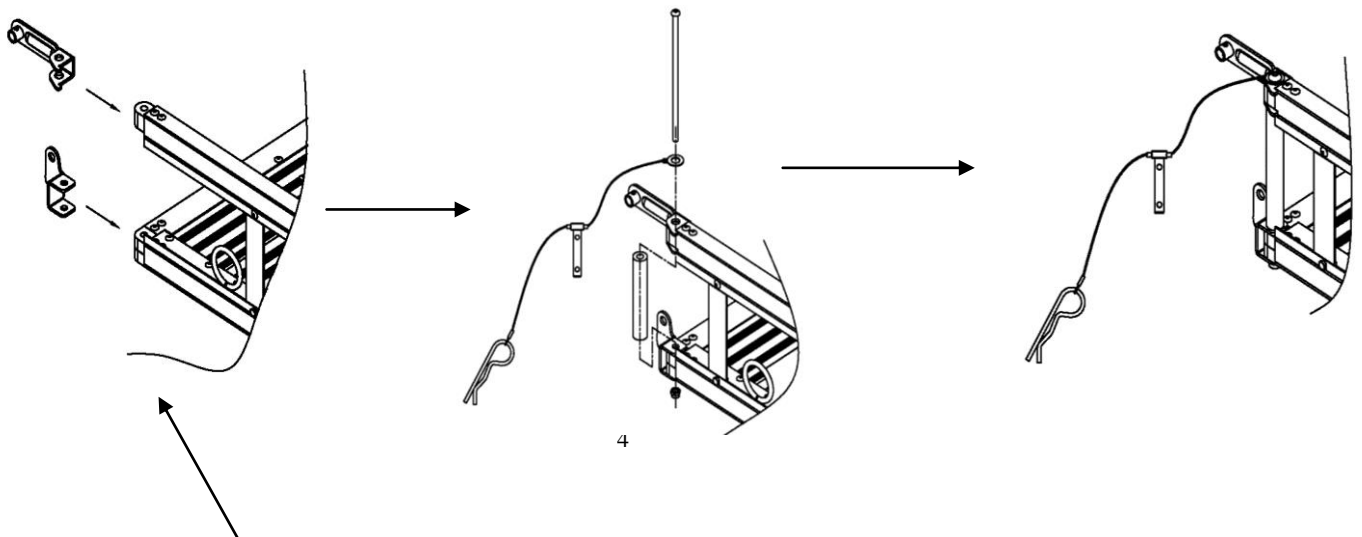
### Carrier Assembly

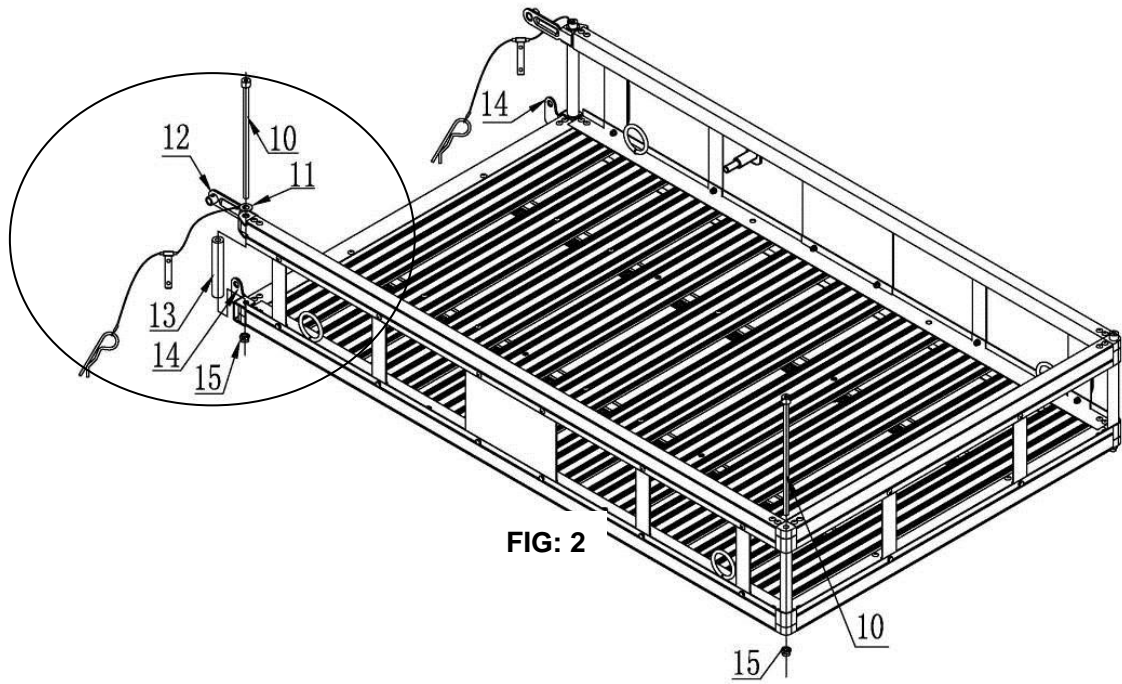
1. Install front panel (2), back panel (3) and side rail (4) to carrier base (1) with M5x10 hex bolt (5) and M5 lock nut (6), insert ring (7) into the holes on carrier base, tighten with M6 washer (8) and M6 lock nut (9). See **FIG 1**.



**FIG: 1**

2. Install longer hinge (12) to the upper corner piece of carrier, and then install the UL hinge (14) to the lower corner of the carrier, align the holes, put the support sleeve (13) in the middle of longer hinge (12) and UL hinge (14), align the holes, insert M8x215 allen bolt (10) through pin assembly (11), longer hinge (12), support sleeve (13) and UL hinge (14) with M8 lock nut (15) and then tighten. See FIG 2.

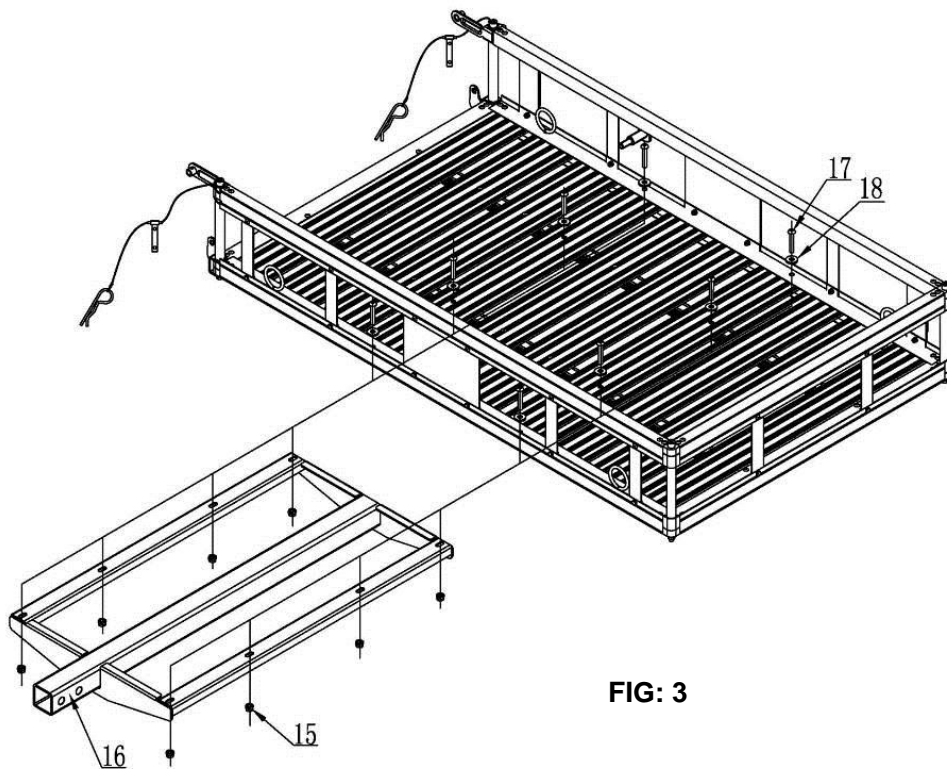




**FIG: 2**

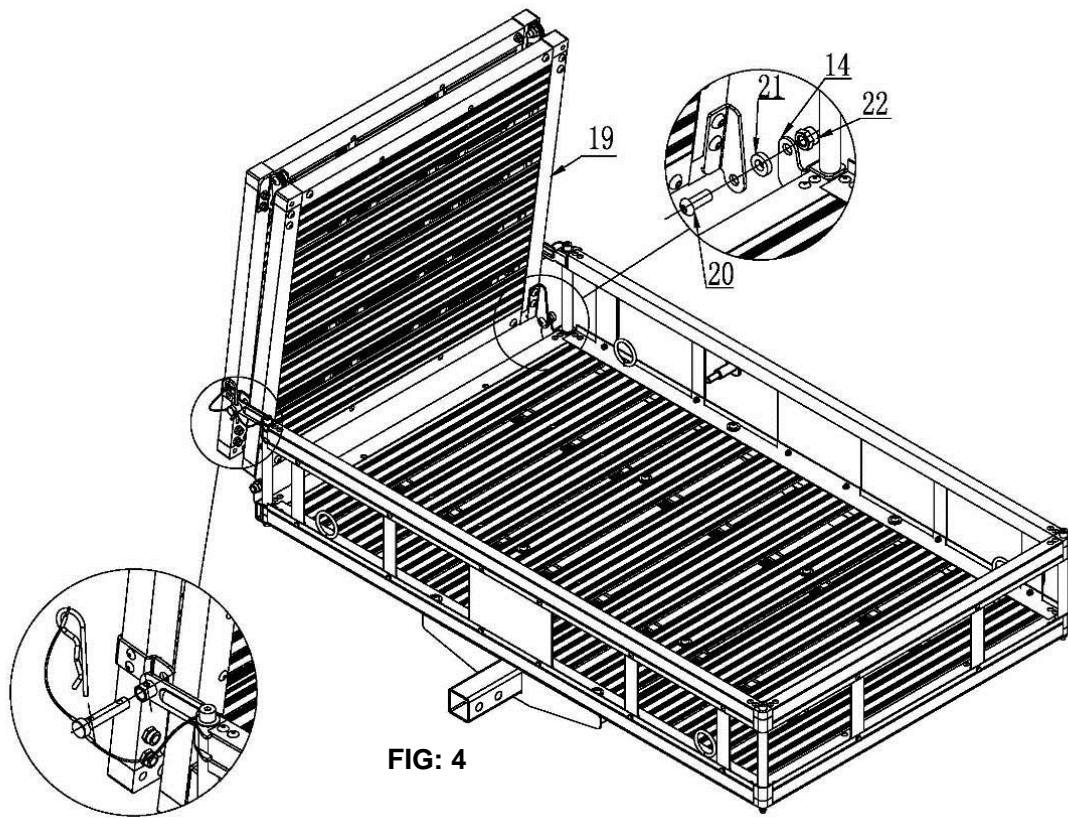
3. Install support bracket (16) under the carrier base (1) with M8x45 allen bolt (17), M8 washer (18) and M8 lock nut (15), then tighten. See FIG 3.

Remark: pin assembly (11) need to be inserted into the hole as below.



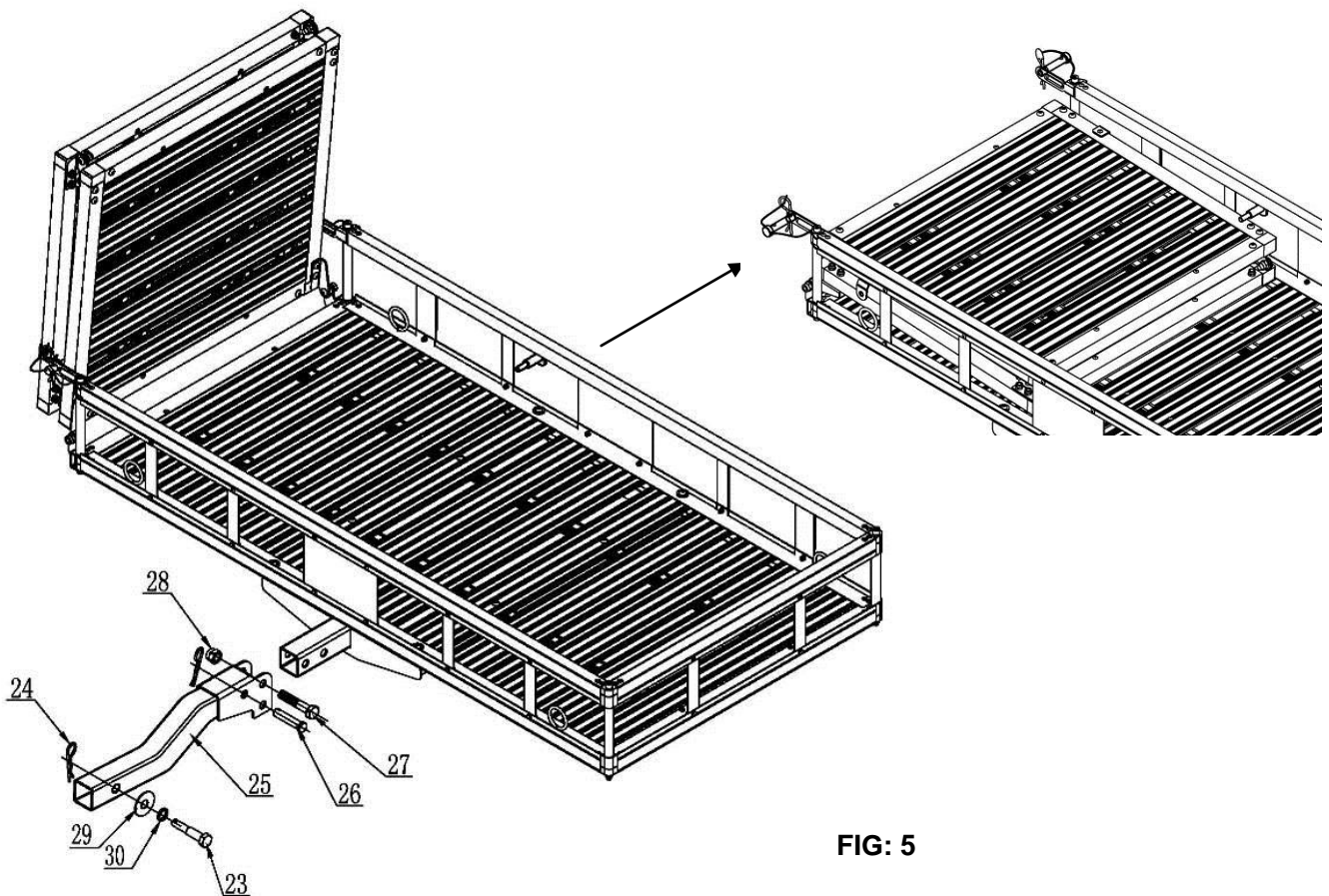
**FIG: 3**

4. Install ramp (19) with UL hinge (14), tighten with M10x30 allen bolt (20), washer (21) and M10 lock nut (22). See FIG 4.



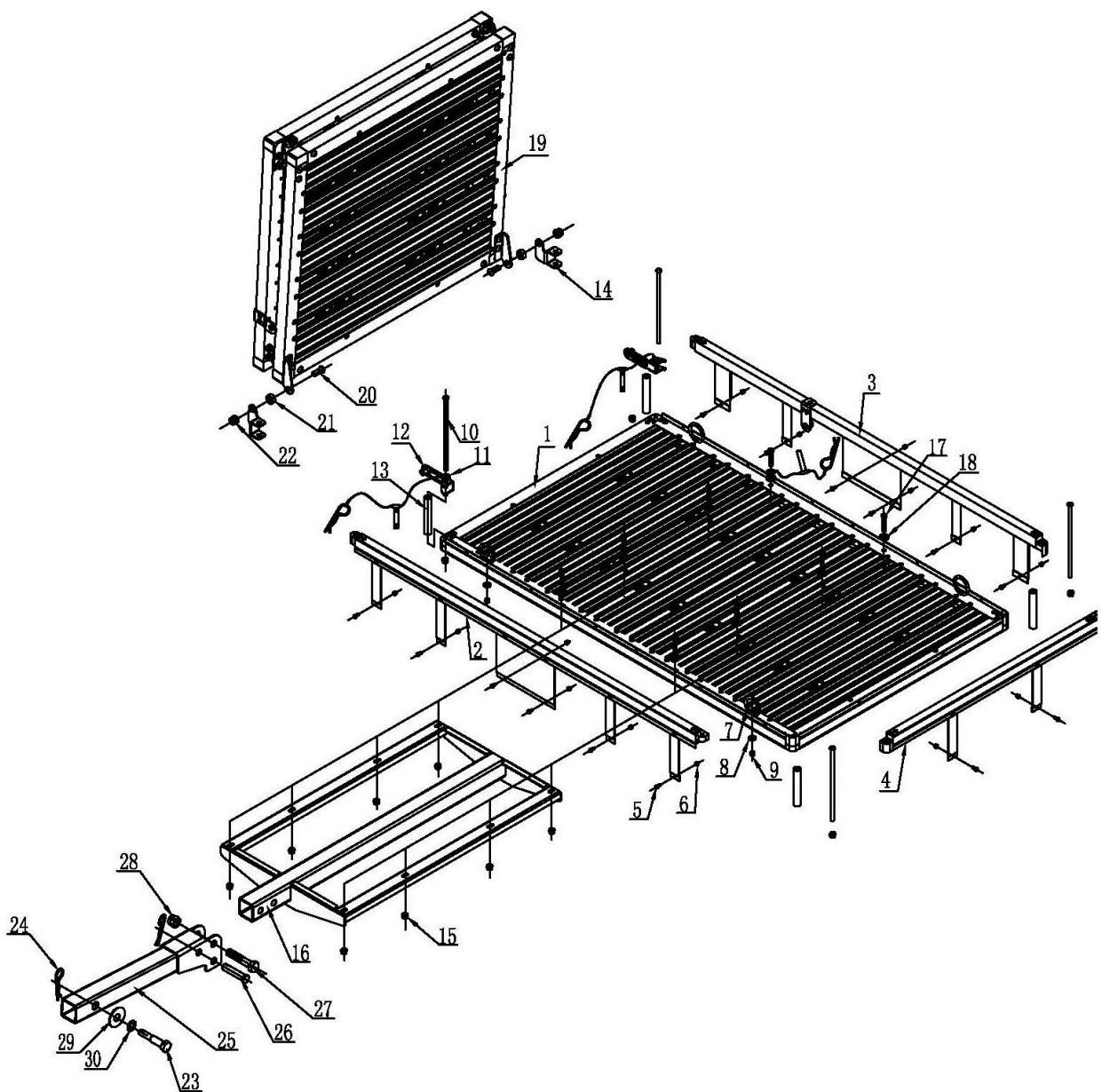
**FIG: 4**

5. Install folding bar (25) and support bracket (16), align the holes and tighten with M16 hex bolt (27) and M16 lock nut (28), Safety pin (26) is used for folded ramp and vertical position, See FIG 5.



**FIG: 5**

## Diagram & Parts List



Part#	Description	Q'ty	Part#	Description	Q'ty
1	Carrier Base	1	16	Support Bracket	1
2	Front Panel	1	17	M8x45 Allen head bolt	8
3	Back Panel	1	18	M8 Washer	8
4	Side Rail	1	19	Ramp	1
5	M5X10 Hex bolt	14	20	M10x30 Allen bolt	2
6	M5 Lock nut	14	21	Gasket	2
7	Ring	4	22	M10 Lock nut	2
8	M6 Washer	4	23	M16 Stabilizing pin	1
9	M6 Lock nut	4	24	Clip	2
10	M8x215 Allen head bolt	4	25	Folding Bar	1

11	Pin assembly	2	26	Safety pin	1
12	Longer Hinge	2	27	M16 Hex bolt	1
13	SuppSupport Sleeve Sleeve	4	28	M16 Lock nut	1
14	ULHinger	2	29	M16 Flat washer	1
15	M8 Lock nut	12	30	M16 Spring washer	1

For replacement parts and technical questions, please call **1-800-222-5381**.

## WARRANTY

**One-year limited warranty**



**ULTRA-TOW™**

Distributed by  
 Northern Tool + Equipment Co., Inc.  
 Burnsville, Minnesota 55306  
 NorthernTool.com  
 Made in China