



HALOGEN UTILITY LIGHTS

OWNER'S MANUAL



WARNING:

Read carefully and understand all **ASSEMBLY AND OPERATION INSTRUCTIONS** before operating. Failure to follow the safety rules and other basic safety precautions may result in serious personal injury.

Item# 41060

Thank you very much for choosing an IRONTON product! For future reference, please complete the owner's record below:

Model: _____ Purchase Date: _____

Save the receipt, warranty and these instructions. It is important that you read the entire manual to become familiar with this product before you begin using it.

This light is designed for certain applications only. The distributor cannot be responsible for issues arising from modification. We strongly recommend this machine not be modified and/or used for any application other than that for which it was designed. If you have any questions relative to a particular application, DO NOT use the machine until you have first contacted the distributor to determine if it can or should be performed on the product.

For technical questions please call **1-800-222-5381**.

INTENDED USE

The halogen utility lights are designed to enhance the beam from your factory head lamps for increased visibility and distance viewing. They include the necessary hardware and wiring to make installation as simple as possible.

TECHNICAL SPECIFICATIONS

Item	Description
Product Size	4.3in.L x 1.6in.W x 2.6in.H
Bulb	12Volt,H3, 55 Watt

GENERAL SAFETY RULES



WARNING: Read and understand all instructions. Failure to follow all instructions listed below may result in serious injury.



CAUTION: Do not allow persons to operate or assemble this light until they have read this manual and have developed a thorough understanding of how the light works.



WARNING: The warnings, cautions, and instructions discussed in this instruction manual cannot cover all possible conditions or situations that could occur. It must be understood by the operator that common sense and caution are factors that cannot be built into this product, but must be supplied by the operator.

SAVE THESE INSTRUCTIONS

IMPORTANT SAFETY CONSIDERATIONS

- If mounting this product requires drilling holes, the installer **MUST** be sure that no vehicle components or other vital parts could be damaged by the drilling process. Check both sides of the mounting surface before drilling begins. Also de-burr any holes and remove any metal shards or remnants. Install grommets into all wire passage holes.
- Do not use a pressure washer to clean this product.

Utility Light USE AND CARE

- **Do not modify the Utility Light in any way.** Unauthorized modification may impair the function and/or safety and could affect the life of the product.
- **Always check damaged or worn out parts before using the Utility light.** Broken parts will affect the Utility light operation. Replace or repair damaged or worn parts immediately.

INSTALL THE LAMPS

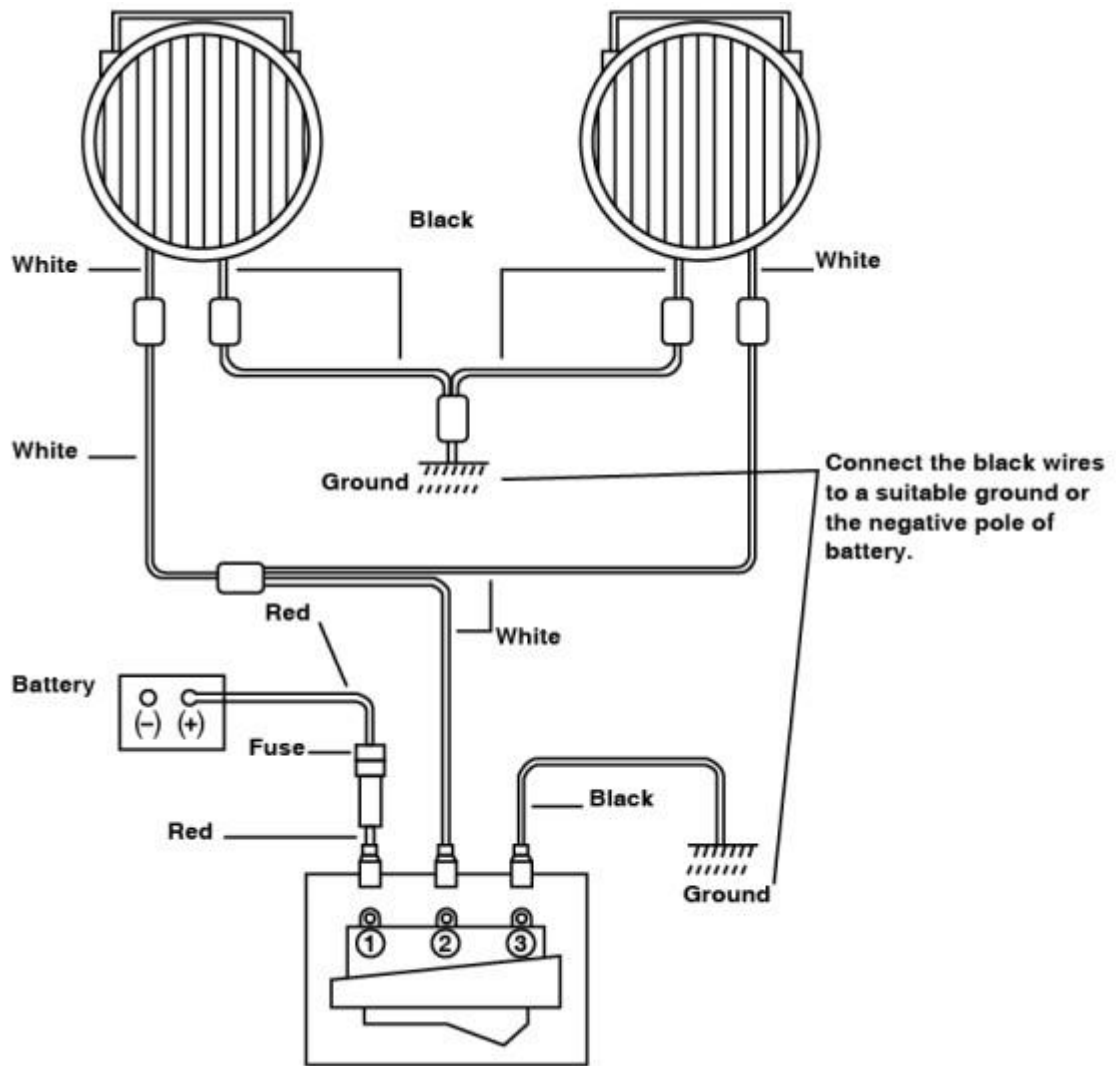
- **TOOLS NEEDED:** Phillips screw driver #2, Crescent wrench, Pliers, Wire cutter, Electrical drill w/ 1/8", 5/16" bits.
- Select a mounting location that will give you a maximum beam adjustment range and will not cause any obstruction for your vehicle's normal functions.
- Mark the mounting position of the lamps onto the surface. You may either upright mount or pendant mount the lamps, but always have the small vent opening on the housing face down. *Hint: Point the lens straight forward or at a 0~5 degree to the center to get the optimum illuminating light beam.
- Attach the light units to their marked positions and secure the bracket/pedestal with the supplied screws. If the mounting screws are not accessible with the whole light unit on, disassemble the bracket/pedestal from the light unit and bolt it to the mounting surface, then mount the lamp to the bracket/pedestal. Do not over tighten the screws.
- For those hard-to-mount locations, use the adhesive tapes to attach the

bracket/pedestal onto the mounting surface, keep light pressure for a while for maximum strength, then apply the supplied screws to secure the light units. (Do not only use tape for mounting)

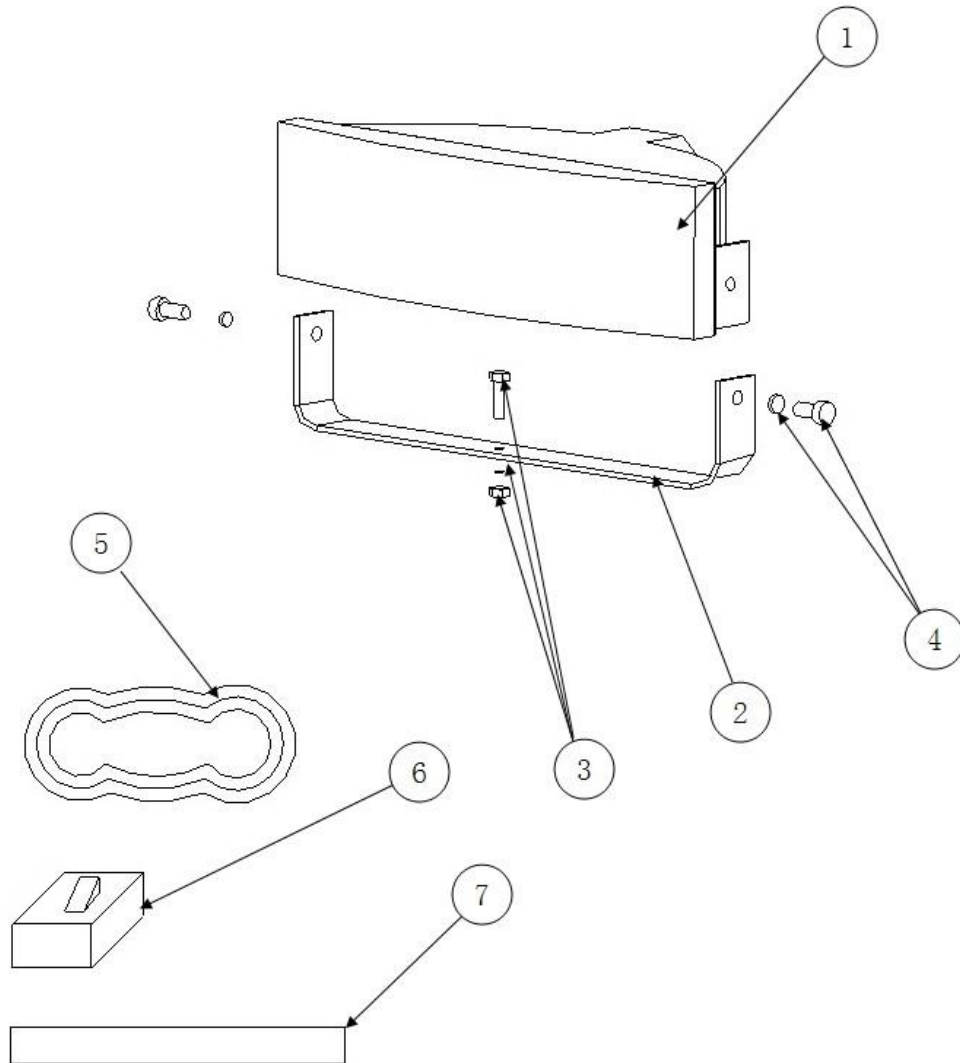
INSTALL THE WIRES/SWITCH

- Disconnect the negative terminal of the vehicle's battery. (This may require resetting your radio, clock or other electronic devices when reconnected.)
- Route the red and the white wires through the fire wall. Either use an existing opening or a small hole (5/16" or bigger) should be drilled.
- Find a convenient location near the bottom of dash board to mount the switch. Bolt the mounting brace onto the surface of the dash board, then squeeze the switch into the slot of the brace. (If an O.E. installation pad is not available, then a 1-1/4" x 1/2" square hole should be cut out from the pad.)
- **Follow the "WIRING DIAGRAM" below**, connect all components accordingly with the supplied harness. For the harness with a 3-pin switch, an extension ground wire (20 Gauge) is needed to trigger the illumination on the switch.
- Reconnect the negative terminal to the battery and turn on the switch to test the whole system. If both of the lights do not come on, inspect the system in the following series: fuse/ ground wire/ battery connection/ switch/ lamp connection/ relay. Replace the defective parts if necessary.
- With the system on, visually check the light beam, then turn off the switch and adjust the lamps' angle (Let the lights cool down before each adjustment). Repeat this adjustment until a proper light beam appear, then firmly tighten all screws of the light unit.
- Before you drill, carefully locate an area where there is no obstruction behind.

WIRING DIAGRAM



PART DIAGRAM & PARTS LIST



Part#	Description	Qty.
1	Halogen Lamps	2
2	Bracket	2
3	Mounting screw kit	2
4	Bracket screw kit	4
5	Complete Wiring Harness Kit	1
6	Switch with Housing	1
7	Double-sided adhesive tapes	2

For technical questions please call **1-800-222-5381**.

WARRANTY

One-year limited warranty



Distributed by:

Northern Tool + Equipment Co., Inc.

Burnsville, Minnesota 55306

NorthernTool.com

Made in China