



# 18 WATT AMBER MINI LIGHTBAR

## OWNER'S MANUAL



### **WARNING:**

Read carefully and understand all **ASSEMBLY AND OPERATION INSTRUCTIONS** before operating. Failure to follow the safety rules and other basic safety precautions may result in serious personal injury.

**Item# 40511**

Thank you very much for choosing an Ultra-Tow product! For future reference, please complete the owner's record below:

Model: \_\_\_\_\_ Purchase Date: \_\_\_\_\_

Save the receipt, warranty and these instructions. It is important that you read the entire manual to become familiar with this product before you begin using it.

This lightbar is designed for certain applications only. The distributor cannot be responsible for issues arising from modification. We strongly recommend this lightbar not be modified and/or used for any application other than that for which it was designed. If you have any questions relative to a particular application, DO NOT use the lightbar until you have first contacted the distributor to determine if it can or should be performed on the product.

For technical questions please call **1-800-222-5381**.

## INTENDED USE

The 18W LED amber lightbar features 13 selectable flash patterns to match your situation. It includes 36 LEDs that provide superior performance warning light in any conditions. Durable high-impact polycarbonate housing stands up to the weather. Magnetic mount features rubber housing to prevent marring or scratching of the vehicle. The 2-in-1 mounting system allows for magnetic and permanent mounting.

## TECHNICAL SPECIFICATIONS

Item	Description
Bulb Type	LED
Volts	DC 12V
Watts	18 Watt
Flash patterns	13
Power cord (ft.)	15
Product Size	14in.L x 8.3in.W x 2.8in.H

## GENERAL SAFETY RULES



**WARNING:** Read and understand all instructions. Failure to follow all instructions listed below may result in serious injury.



**CAUTION:** Do not allow persons to operate or assemble this lightbar until they have read this manual and have developed a thorough understanding of how the lightbar works.




**WARNING:** The warnings, cautions, and instructions discussed in this instruction

manual cannot cover all possible conditions or situations that could occur. It must be understood by the operator that common sense and caution are factors that cannot be built into this product, but must be supplied by the operator.

## SAVE THESE INSTRUCTIONS

### IMPORTANT SAFETY CONSIDERATIONS

- If mounting this product requires drilling holes, the installer **MUST** be sure that no vehicle components or other vital parts could be damaged by the drilling process. Check both sides of the mounting surface before drilling begins. Also de-burr any holes and remove any metal shards or remnants. Install grommets into all wire passage holes.
-  **WARNING:** The vehicle should never be driven at high speeds if the lightbar is magnetically mounted. If intended to be used at high speeds, user must permanently mount the lightbar.
- If this product is mounted with magnets, clean the mounting surface and dry it thoroughly before installation.
- Do not install this product or route any wires in the deployment area of your air bag. Equipment mounted or located in the air bag deployment area will damage or reduce the effectiveness of the air bag, or become a projectile that could cause serious personal injury or death. Refer to your vehicle owner's manual for the air bag deployment area. The User/Installer assumes full responsibility to determine proper mounting location, ensuring safety to all passengers inside the vehicle.
- Use only soap and water to clean the outer lens. Inspect and operate this product regularly to confirm its proper operation and mounting condition.

### LIGHTBAR USE AND CARE

- **It is strongly recommended to only plug 12V plug into 12V power port**, as cigarette outlets can become contaminated and not create a good connection.
- **Do not modify the lightbar in any way.** Unauthorized modification may impair the function and/or safety and could affect the life of the product.
- **Always check damaged or worn out parts before using the lightbar.** Broken parts will affect the lightbar operation. Replace or repair damaged or worn parts immediately.

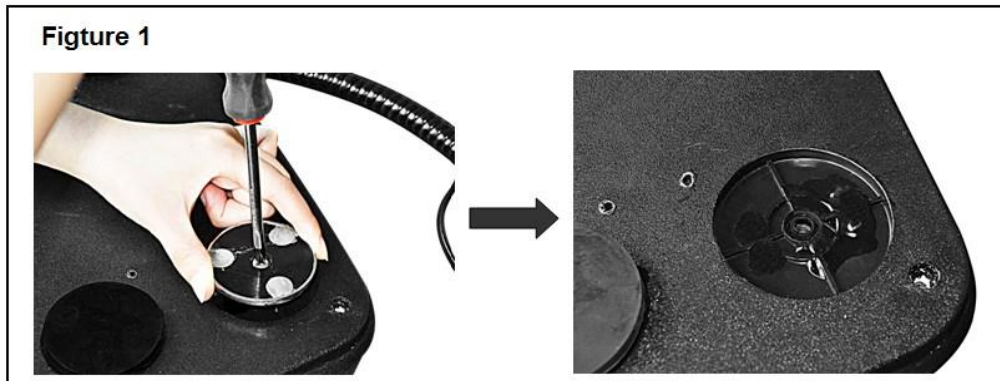
## INSTALL THE LIGHTBAR

### Magnetic mounting

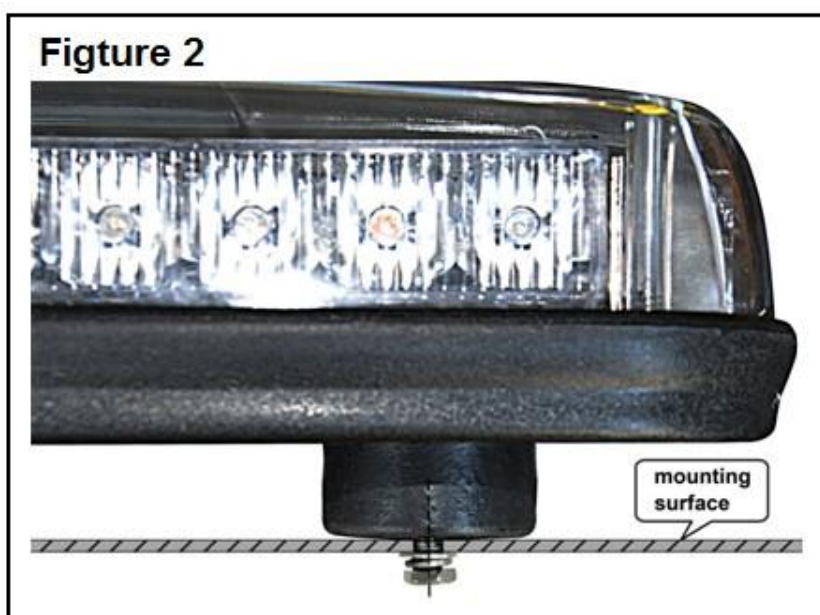
1. The magnetic lightbar should be positioned on the vehicle's roof where the magnets will safely secure the lightbar. Before mount the lightbar to the roof, be sure the surface is clean and clear of dirt, grease and debris.
2. Locate the desired location where you wish to mount the lightbar. For best results you should make sure the lens is unobstructed, so that the light can be seen 360 degrees.
3. If you need to move the lightbar, hold one side securely, then lift the other side of the lightbar from the roof and move; repeat procedure to move the other side.

### Permanent mounting

1. Upside down the lamp, take off the rubber boots. Remove the M6x20 screw (6), which in the center of magnetic bases. The magnetic base (5), sleeve gasket (4), spring (3) pulled away from the light body (1). (See Figure 1)



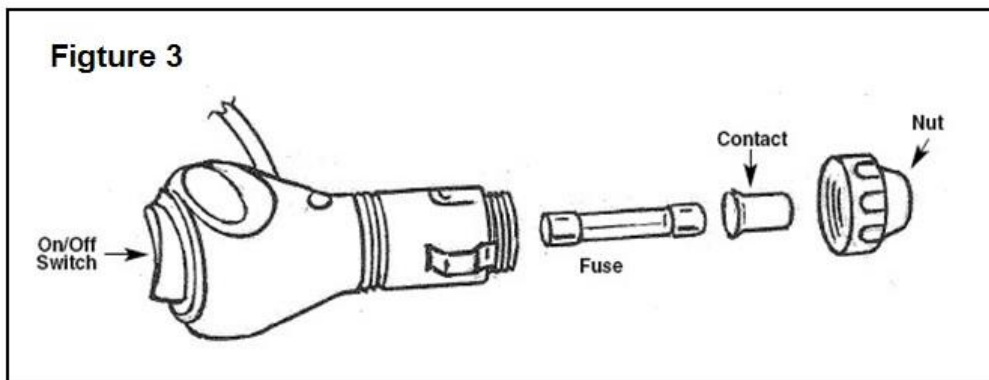
2. Drill a mounting hole for M6x45 Hex bolt (10) on the mounting surface. Insert M6x45 Hex bolt (10) to the spring washer (9), flat washer (8), mounting surface, rubber gasket (7), and mounting hole of lightbar. Then tighten the M6 bolts. (See Figure 2)



## OPERATION

1. To turn on the lightbar, insert the 12V plug into the vehicle's power outlet.  
Press the on/off button on the back on the 12V plug. When the lightbar is operating, the LED on the plug's switch will illuminate.
2. To change the pattern, press the button beside to the on/off button. Memory function keeps same pattern selected, even when the lightbar is turned off.
3. To turn off the lightbar, remove the 12V plug from the vehicle's power socket or position the on/off switch to off.

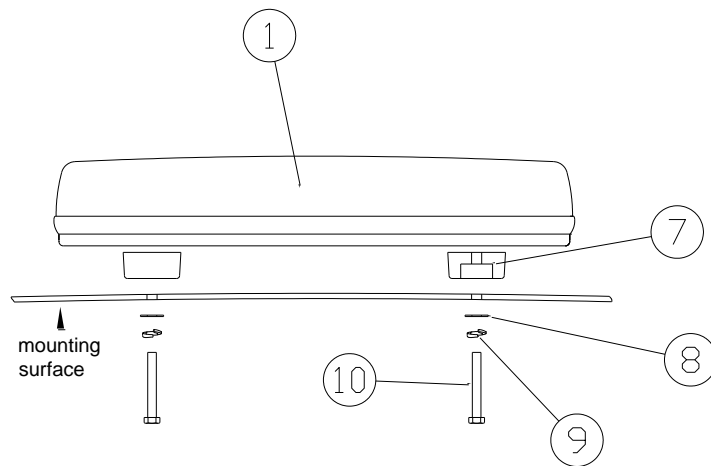
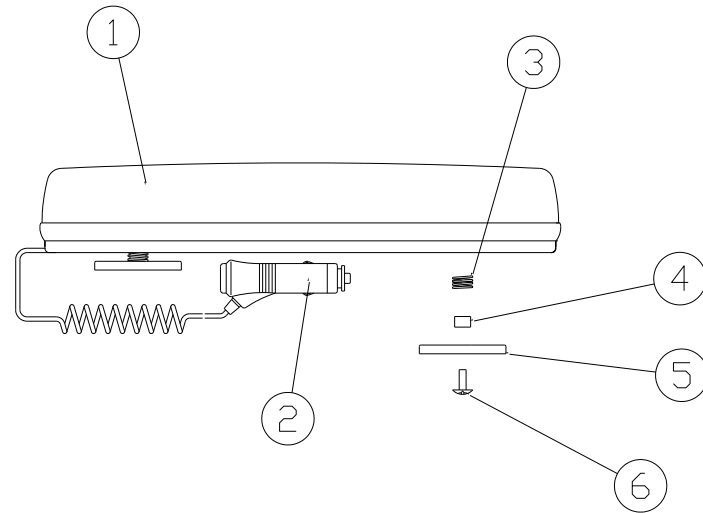
The 12V plug has a built-in fuse to protect the lightbar and the vehicle. If the lightbar does not turn on when the plug is inserted into the vehicle power socket, check the fuse built into the power plug by the following method: The tip of the power plug has a chrome push-in contact which is secured by a black nut. Unscrew the nut which will give you access to the fuse. If the fuse needs to be replaced, use a 5-Amp fuse. Follow the reverse procedure to re-assemble fuse back into power-plug. (See Figure 3)



## MAINTENANCE

- It is recommended that the general condition of the lightbar be examined before it is used. Keep your lightbar in good repair by adopting a program of conscientious repair and maintenance. Have necessary repairs made by qualified service personnel.
- Clean the surface of lightbar lens frequently to keep its brightness.
- When any malfunction occurs, stop using and repair it immediately as soon as possible. Please operate your lightbar according to the proper operation procedures.

## PARTS DIAGRAM & PARTS LIST



Part#	Description	Qty.
1	Light Body	1
2	12V plug	1
3	Spring	4
4	Sleeve gasket	4
5	Magnetic base	4
6	M6 x 20 screw	4
7	Rubber gasket	4
8	Flat washer	4
9	Spring washer	4
10	M6x45 Hex bolt	4

For replacement parts and technical questions please call **1-800-222-5381**.



**WARRANTY**

3-year limited warranty

***ULTRA-TOW***<sup>™</sup>

Distributed by:  
Northern Tool + Equipment Co., Inc.  
Burnsville, Minnesota 55306  
NorthernTool.com  
Made in China