

COMBOCADE™

TYPE I AND TYPE II BARRICADE

Steel leg barricade
with plastic boards



- **Combocade's replaceable components save you money!**
 - Boards can be replaced in minutes
 - Legs can be replaced or repaired
- **Standard 45" steel legs, 14 gauge thickness**
 - Galvanized or white powder coated finishes for corrosion protection
- **Plastic boards last longer than wood!**
 - Injection molded boards are strong and dense, reinforced with our "diamond" design
 - Boards will not bend, warp, crack, splinter, or peel
 - Available in 24"W x 12", 8", or 6"H
- **No drilling – save labor!**
 - Bolt holes are molded into the plastic boards, making board replacement quick and easy
- **NCHRP Certified and Meets MUTCD Standards**



Purchase barricades fully assembled or as component parts. Names can be stenciled on the boards for identification



Leg hinge holes accept 1/2" light mounting bolt

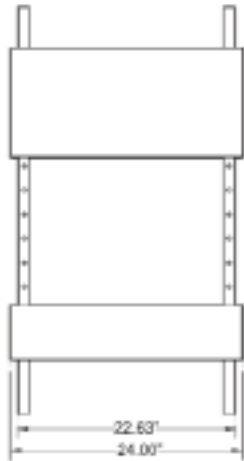
PLASTICADE® PRODUCTS

www.plasticade.com

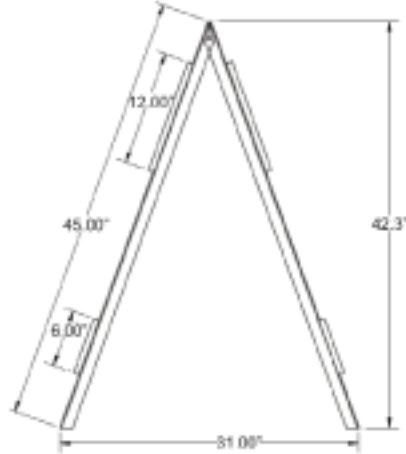
COMBOCADE™

TYPE I & TYPE II BARRICADE

Front View



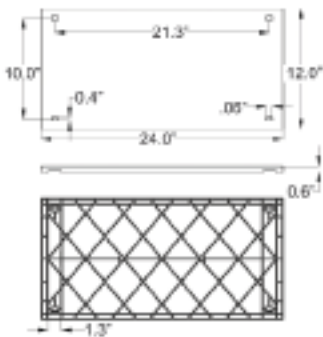
Side View



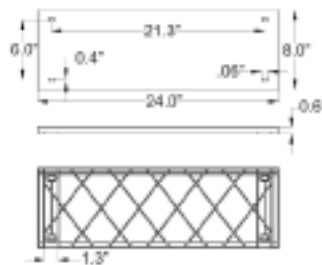
Specs

Dimensions	45"H x 24"W x 2 1/2"D
Leg Composition	Roll Formed Steel, Galvanized or White Powder Coat Finish
Leg Weight	2.2 lbs.
Leg Thickness	14 gauge - 1 1/4"
Board Composition	High Density Polyethylene
Board Sizes	12"H x 24"W - 1.6 lbs. 8"H x 24"W - 1.2 lbs. 6"H x 24"W - 1 lb.
Board Thickness	5/8" D
Board Color	White
Reflective Sheeting	Available in all grades in white and orange stripes

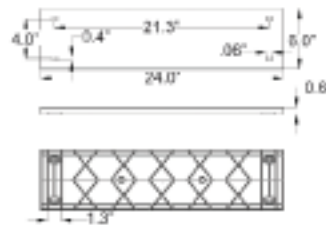
24"W x 12"H Board



24"W x 8"H Board



24"W x 6"H Board



PLASTICADE® PRODUCTS

7700 N. Austin Avenue
Skokie, IL 60077
phone (800) 772-0355
fax (847) 966-8074

www.plastica.de.com

MADE IN THE USA