

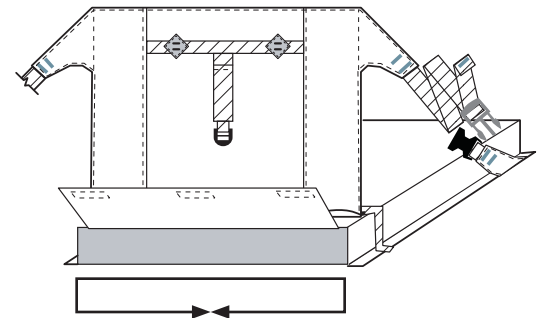
Togiak Float Tube, Classic Critical Dimensions

9/21/2009

Page 3 of 17

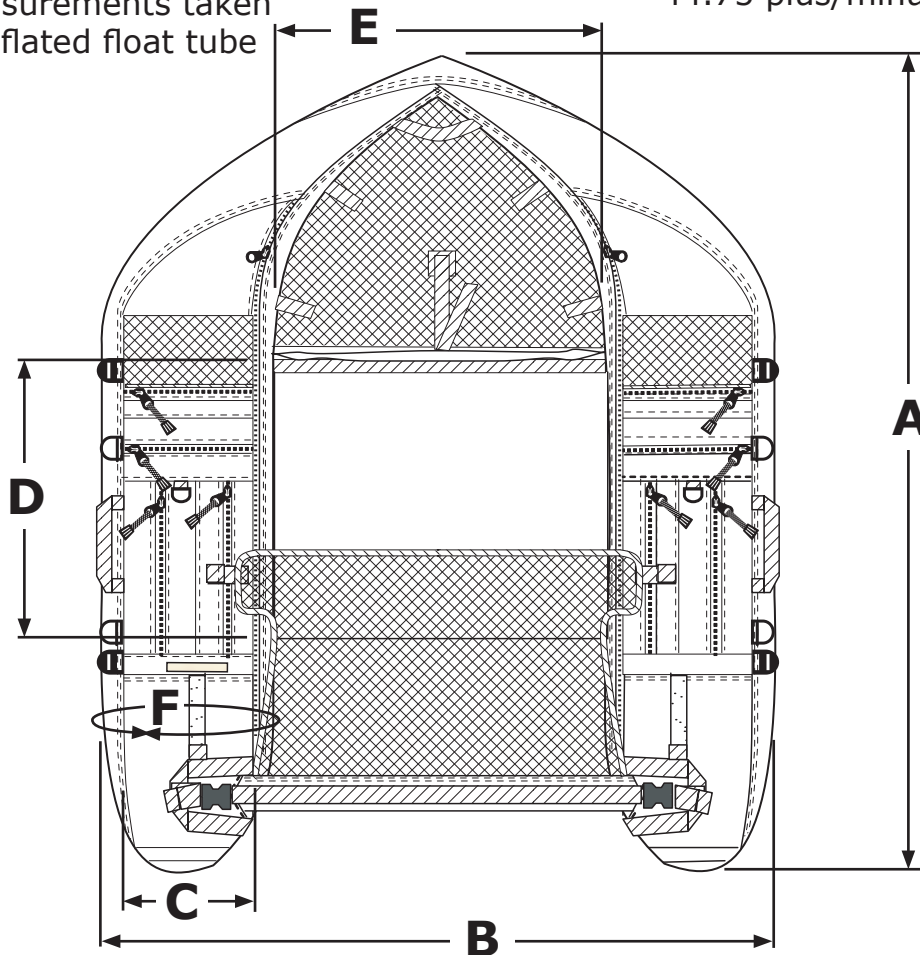
Model	A	B	C	D	E	F	G
All	55.25	47.00	9.00	19.00	19.00	41.00	44.75 *

- A. Overall Length
- B. Overall Width at front
- C. Deck Width at pocket front
- D. Seat Length
- E. Seat Width at back
- F. Pontoon Girth at pocket front
- G. Bottom seat foam opening at rear opening



G. * Combined opening girth,
44.75 plus/minus 0.50

NOTE: Measurements taken
on a fully inflated float tube



Plus/Minus Tolerances

0 - 12"	+/- 0.125" max
13" - 24"	+/- 0.25" max
25" - 48"	+/- 0.50" max
49" and over	+/- 0.75" max

Please Note:

All Dimensions
are In **Inches**
Unless Noted
Otherwise

Part #

**32-007-
014001-00**