



KT 1435 BRAKE WASHER

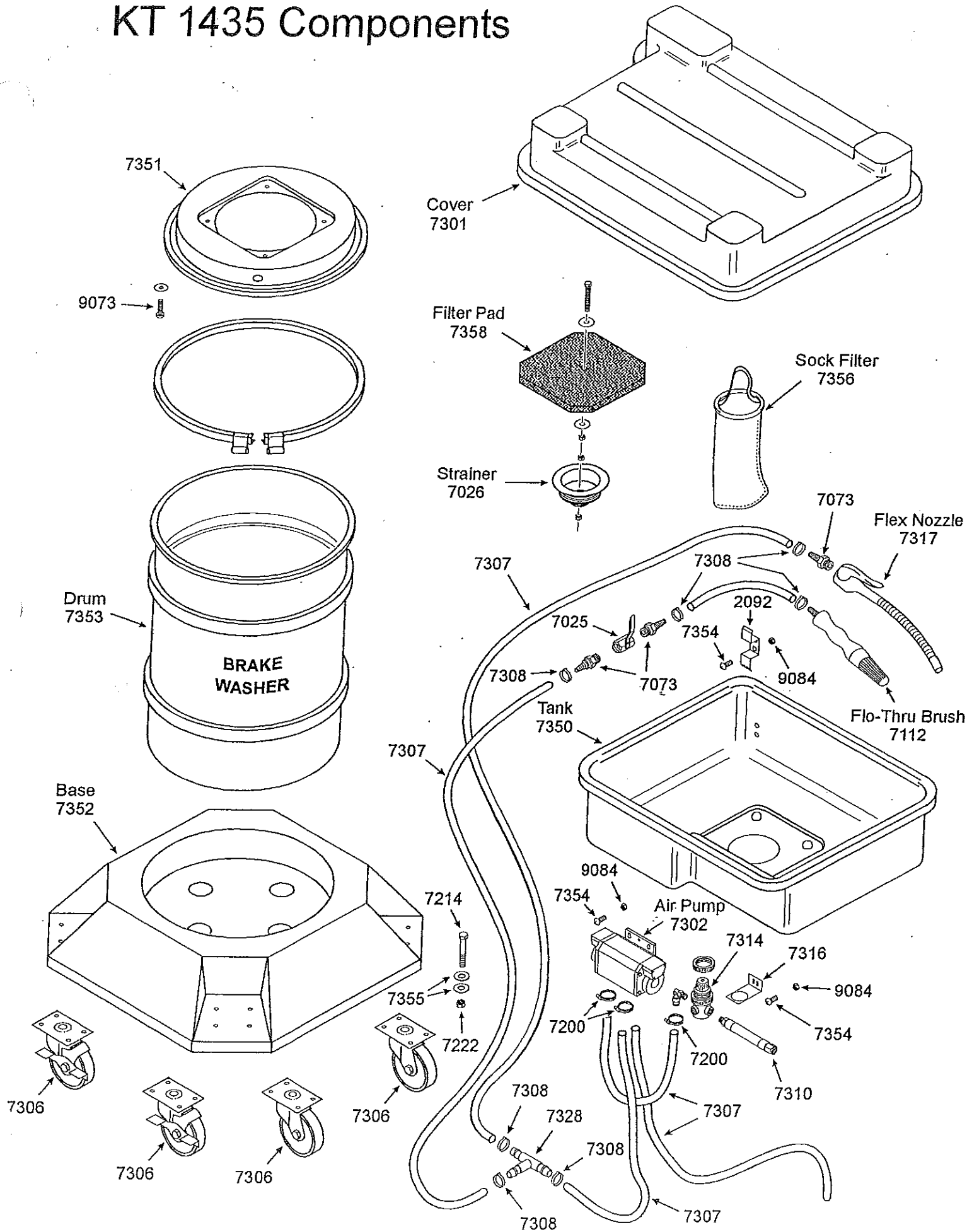
AUTOMOTIVE/INDUSTRIAL PARTS CLEANER SYSTEM

OPERATION AND INSTRUCTION MANUAL

IMPORTANT INFORMATION READ BEFORE OPERATING

1. Do not modify this machine. This parts cleaner is intended for use with approved cleaning solvents.
2. Do not add other chemicals such as kerosene, fuel oil or gasoline.
3. Do not leave solvent-soaked rags in parts cleaner.
4. Always wet the shoes and inside the drum thoroughly before removing.
5. Always maintain the proper solution level above the bottom band on the drum.
6. Use the full flow nozzle to soak down brake drums before removal.
7. The air pressure has been preset on your air operated parts cleaner. Never exceed 50 pounds of pressure.
8. Replace filters as needed.
9. To change fluid, pump fluid into separate container using full flow nozzle. Remove snap ring and lower onto drum. Remove filters and set aside or dispose of in the proper manner. Remove cleaning basin from drum. Clean drum and refill with new fluid. Replace basin and filters. Replace snap ring and fasten basin to drum.

KT 1435 Components



ASSEMBLY INSTRUCTIONS KT 1435

1. Remove machine from shipping carton and inspect for any damage. Report any damage to the delivering carrier.
2. Install the four casters to the basin using the hardware supplied. Place the locking casters directly across from each other.
3. Place the drum into the dolly making sure it fits completely to the bottom.
4. Fill the unit with the proper amount of fluid.
5. Make sure the basin is locked to the drum using the snap ring.
6. Connect the unit to your air supply and turn on the air regulator to start the pump.
7. Make sure brush and spigot assemblies remain inside of basin whenever pump is on.

USING THE BRAKE WASHER TO COMPLY WITH 29 CFR 1910.1001

1. Place the catch basin or catch tray under the brake assembly, positioned to avoid splashes and spills.
2. Use our Aqueous degreaser to wet or flood the brake assembly gently, to prevent the asbestos-containing brake dust from becoming airborne.
3. Allow the Aqueous degreaser to flow between the brake drum and brake support before the drum is removed.
4. After removing the brake drum, thoroughly wet the wheel hub and back of the brake assembly to suppress the dust.
5. Thoroughly wash the brake support plate, brake shoes and brake components used to attach the brake shoes before removing the old shoes.
6. When the asbestos filter needs to be changed, be sure to wet the filter before removing. Then remove and immediately place filter in the impermeable bag that comes with the new filter (PN 7356). "Please see our flyer on disposal of used filter."
7. Be sure to clean up your spills of Aqueous degreaser immediately with KleenTec Multisurface absorbent and Cleaner.
8. Never dry brush. Always make sure that you wet the brake assembly before any work begins.

KLEENTEC KT5800 PARTS WASHER PARTS & ACCESSORIES

<i>KLEENTEC PARTS WASHER ACCESSORIES</i>		<i>KLEENTEC PARTS WASHER PARTS</i>	
PART NUMBER	DESCRIPTION	PART NUMBER	DESCRIPTION
7356	SOCK FILTER BAG	7315	FLUID CONTROL VALVE NOZZLE
7358	FILTER PAD	7351	MTG FLANGE
7302	AIR PUMP KT1435	7314	REGULATOR
7287	FLO THUR BRUSH	7317	FLEX HOSE
7350	BRAKE WASHER TRAY	7025	"ON-OFF" VALVE
7301	COVER TRAY	7353	DRUM
7306	CASTER		

KLEENTEC, INC.
1212 SYKES STREET, ALBERT LEA, MN 56007
1-800-435-5336 or 1-507-373-5152
FAX 1-507-373-9262

WARRANTY

The manufacturer will replace at no charge to the original purchase (end user), any part or parts found to be defective in material or workmanship, when part is returned to our factory for inspection within 90-days from date of purchase. Transportation charges to be paid by purchaser.

In the event of any modification to unit, misuse, negligence or accident, warranty is void.

There is no other warranty expressed or implied. The manufacturer shall in no event be liable for consequential damages.

The manufacturer reserves the right to make changes in design or improvements on its product without imposing any obligation on itself to install the same on its product theretofore sold.

Warranty becomes valid only if registration card is promptly executed and mailed within fifteen (15) days from date of installation of unit.