



LOAD-QUIP™

By
BETTER BUILT

DAWS MANUFACTURING COMPANY
PENSACOLA, FL | 800.366.8269
www.dawsbetterbuilt.com

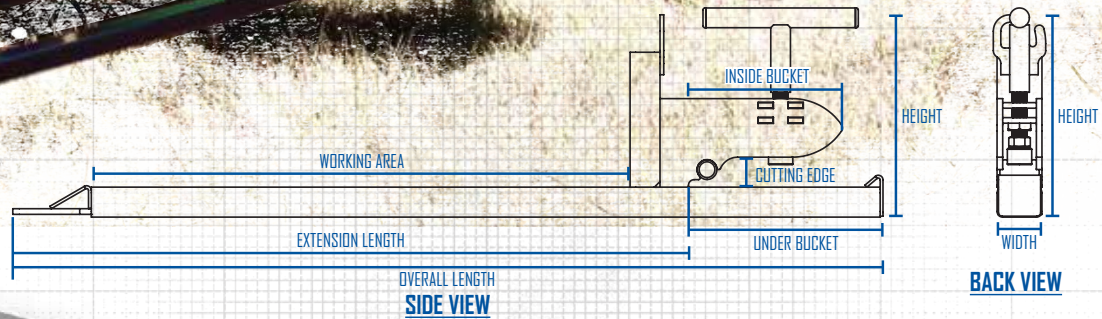
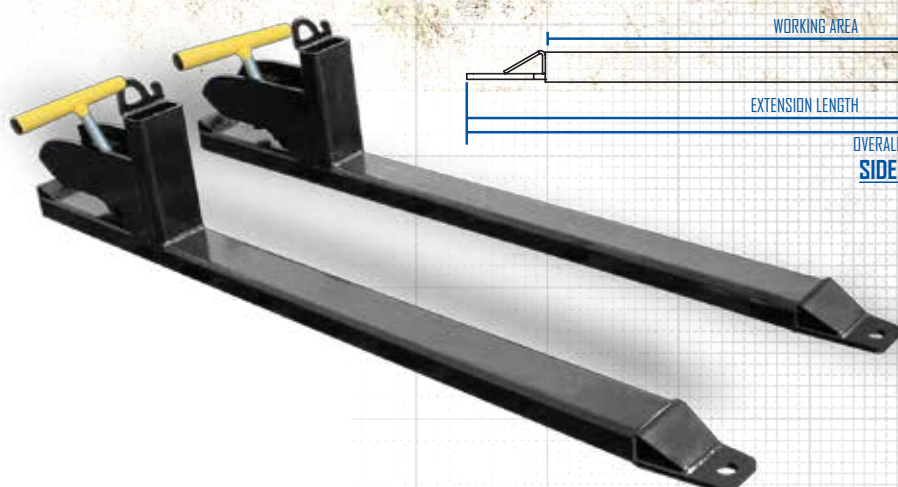


2016

STEEL/ALUMINUM FORKS



LOAD-QUIP™ steel and aluminum attachments and accessories are Made in the USA



5500lb./6500lb.

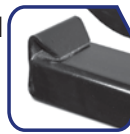
BLACK, GREEN, ORANGE, RED, RAW ALUMINUM

SUPPORT CHANNEL

ALUMINUM FORKS	PART #	PART #	PART #	PART #	PART #	DIMENSIONS									
	BLACK	GREEN	ORANGE	RED	RAW ALUM	WEIGHT	WEIGHT CAPACITY	OVERALL LENGTH	WIDTH	HEIGHT	WORKING AREA	INSIDE BUCKET	UNDER BUCKET	CUTTING EDGE	EXTENSION LENGTH
Alum Forks - 1400 lb	29211786	29211782	29211784	29211793	29211795	50 lbs	1400 lbs	56 1/2"	3 3/4"	13"	35 7/8"	10 5/16"	13"	1.65"	43 1/2"
Alum Forks - 2600 lb	29211787	29211783	29211785	29211794	29211796	60 lbs	2600 lbs	61 1/2"	4 3/4"	13"	41 7/8"	10 3/16"	12"	1.65"	49 1/2"



The Gripper "T" Handle features an over-sized steel T-shape handle for better leverage when tightening your forks. The handle is heavily knurled to provide the ultimate grip onto your bucket.



The Bucket Heel is a critical leverage point that has been reinforced to ensure the fork will support any load within the rated capacity of the fork.



The Rollback Stabilizer Mast ensures that during lifting or transporting your cargo will not roll back onto the tractor. The Mast can be extended by adding a board for safely lifting big loads.



E-Z Load Tip with Lifting Eye has a 45 degree slope which makes loading simple without getting off your tractor. The built-in lifting eye creates a great tie down point. Conveniently, the lifting eye can be used with any standard trailer hitch ball.



The Load Master Guide allows for quick and easy attachment by guiding the bucket into the fork with minimum movement, easy enough for one person to do without assistance.



Chain Buckle incorporates a loop and chain retainer, creating a versatile tie down point to secure any load. The Buckle is designed to work with chains up to 1/2" Grade 70, also great for ropes, bungees, and more.

STEEL FORKS	PART #	PART #	PART #	PART #	PART #	DIMENSIONS									
	BLACK	GREEN	ORANGE	RED	GALVANIZED	WEIGHT	WEIGHT CAPACITY	OVERALL LENGTH	WIDTH	HEIGHT	WORKING AREA	INSIDE BUCKET	UNDER BUCKET	CUTTING EDGE	EXTENSION LENGTH
Steel Forks - 1400 lb.	29211767	29211777	29211776	29211788	29211791	90 lbs	1400 lbs	58 1/8"	3"	13"	36"	10 3/16"	13"	2"	45"
Steel Forks - 2600 lb	29211768	29211778	29211779	29211789	29211792	120 lbs	2600 lbs	63 3/8"	4"	13"	42"	12 3/16"	12"	2"	51"
Steel Forks - 5500 lb	29211769	-	-	-	-	330 lbs	5500 lbs	81 1/4"	6 3/4"	13"	52"	11 7/8"	19"	3.2"	62 1/4"
Steel Forks - 6500 lb	29211770	-	-	-	-	330 lbs	6500 lbs	81 1/4"	6 3/4"	13"	52"	11 13/16"	19"	3.2"	62 1/4"

/// THE NAME SAYS IT ALL! ///



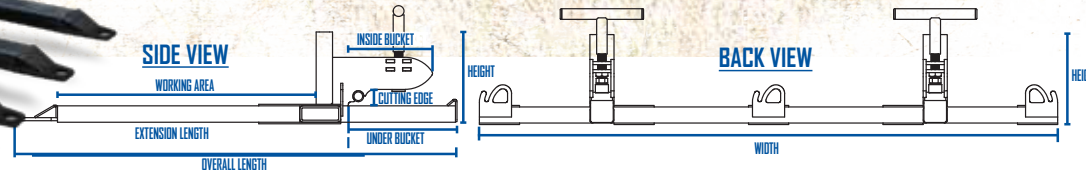
/// www.dawsbetterbuilt.com ///



STEEL / ALUMINUM DEBRIS FORKS



LOAD-QUIP™ steel and aluminum attachments and accessories are Made in the USA



STEEL DEBRIS FORKS	PART #		DIMENSIONS								
	BLACK	WEIGHT	WEIGHT CAPACITY	OVERALL LENGTH	WIDTH	HEIGHT	WORKING AREA	INSIDE BUCKET	UNDER BUCKET	CUTTING EDGE	EXTENSION LENGTH
Steel Debris Forks - 1400 lb	29211774	135 lbs	1400 lbs	38"	52"	11"	15 9/16"	10 5/16"	13 3/16"	2"	24 3/4"
Steel Debris Forks - 2600 lb	29211773	215 lbs	2600 lbs	46"	60"	11"	23 3/16"	10 5/16"	13 3/16"	2"	32 3/4"
Steel Debris Forks - 3600 lb	29211772	295 lbs	3600 lbs	54"	72"	11"	31 3/16"	10 5/16"	13 3/16"	2"	40 3/4"

ALUMINUM DEBRIS FORKS	PART #		DIMENSIONS								
	BLACK	WEIGHT	WEIGHT CAPACITY	OVERALL LENGTH	WIDTH	HEIGHT	WORKING AREA	INSIDE BUCKET	UNDER BUCKET	CUTTING EDGE	EXTENSION LENGTH
Aluminum Debris Forks - 1400 lb	29211780	65 lbs	1400 lbs	38"	52"	11"	15 7/8"	10 5/16"	11 3/4"	1.65"	26 1/4"
Aluminum Debris Forks - 2600 lb	29211781	85 lbs	2600 lbs	46"	60"	11"	21"	10 5/16"	14 5/8"	1.65"	31 1/2"
Aluminum Debris Forks - 3600 lb	29211790	100 lbs	3600 lbs	54"	72"	11"	27 3/4"	14 3/4"	14 3/4"	1.65"	39 1/4"

FORK STABILIZERS



FORK STABILIZERS	PART #		DIMENSIONS			
	YELLOW	WEIGHT	WEIGHT CAPACITY	OVERALL LENGTH	WIDTH	HEIGHT
1400 LB Cap. Fork Stabilizer Bar	29211775	11 lbs	1400 lbs	43"	4"	3"
2600 LB Cap. Fork Stabilizer Bar	29211771	12 lbs	2600 lbs	43"	4"	3"

/// THE NAME SAYS IT ALL! ///



/// www.dawsbetterbuilt.com ///



HITCH RECEIVERS



LOAD-BUIP™ steel and aluminum attachments and accessories are Made in the USA



DUAL HITCH RECEIVER CLAMP

PART #	DIMENSIONS					WORKS WITH PART #
	STEEL BLACK	WEIGHT	UNDER BUCKET	INSIDE BUCKET		
29211724	51 lbs	9 1/4"	5 3/4"		29211725 29211722 29211726	

HITCH RECEIVERS

	PART #		DIMENSIONS						
	BLACK	WEIGHT	OVERALL LENGTH	WIDTH	HEIGHT	INSIDE BUCKET	UNDER BUCKET	CUTTING EDGE	EXTENSION LENGTH
2" Class 3 Hitch Receiver Clamp	29211765	15 lbs	16"	2 1/2"	13"	5 7/8"	9 1/4"	1.2"	6 3/4"
2" Class 3 Hitch Receiver Clamp with Lift Ring	29211766	17 lbs	16"	2 1/2"	15"	5 7/8"	9 1/4"	1.2"	6 3/4"



THREE POINT HITCH RECEIVER

STEEL BLACK	WEIGHT	COMPATIBLE RECEIVERS	WORKS WITH PART #
29211725	63 lbs	2"	29211727 29211724

LOG SKIDDER



Shown with #29211724

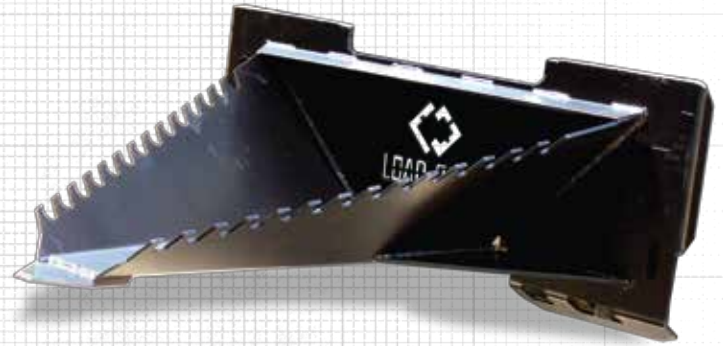
Shown with #29211727



LOG SKIDDER ATTACHMENT

PART #				
STEEL BLACK	WEIGHT	COMPATIBLE RECEIVERS	COMPATIBLE TRACTOR	WORKS WITH PART #
29211722	69 lbs	2"	Cat. 1	29211724 29211727

TREE SCOOP



TREE SCOOP	PART #		DIMENSIONS				
	STEEL BLACK	WEIGHT	LENGTH	WIDTH	HEIGHT	SAW BLADE	CUT EDGE
	29211728	143 lbs	45½"	40½"	18½"	¼"	⅜"

ADAPTER PLATES



QUICK ATTACH WELD PLATE	PART #		DIMENSIONS			
	STEEL	WEIGHT	WEIGHT CAPACITY	LENGTH	WIDTH	HEIGHT
	29811720	56 lbs	2800 lbs.	45½"	3"	18½"



LOAD-QUIP™

/// THE NAME SAYS IT ALL! ///



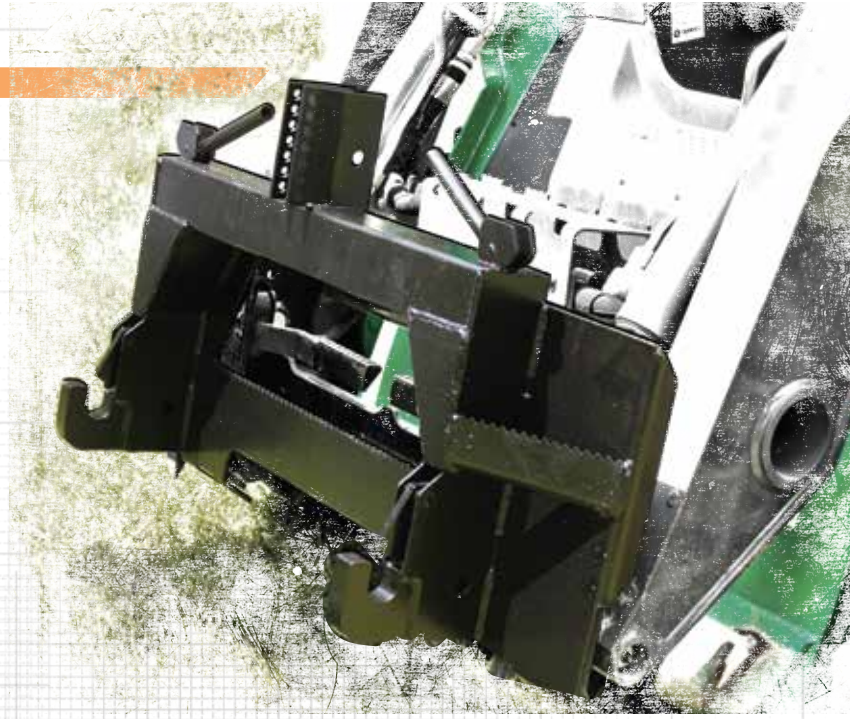
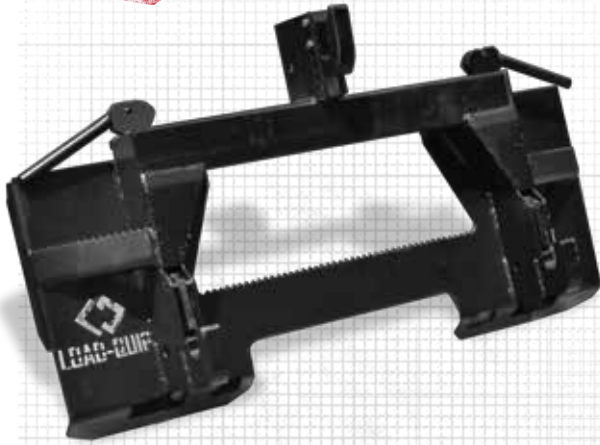
/// www.dawsbetterbuilt.com ///



ADAPTER PLATES

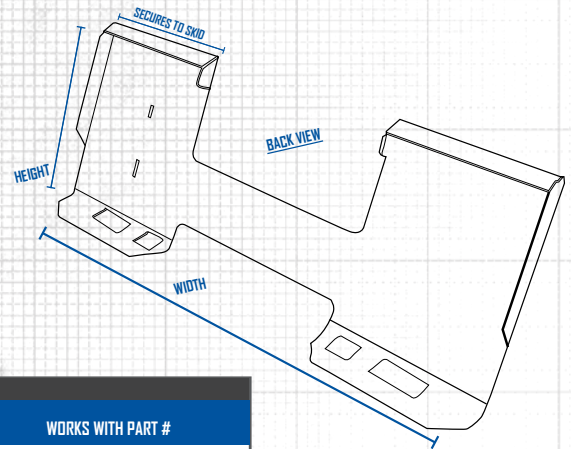


LOAD-EQUIP™ steel and aluminum attachments and accessories are Made in the USA



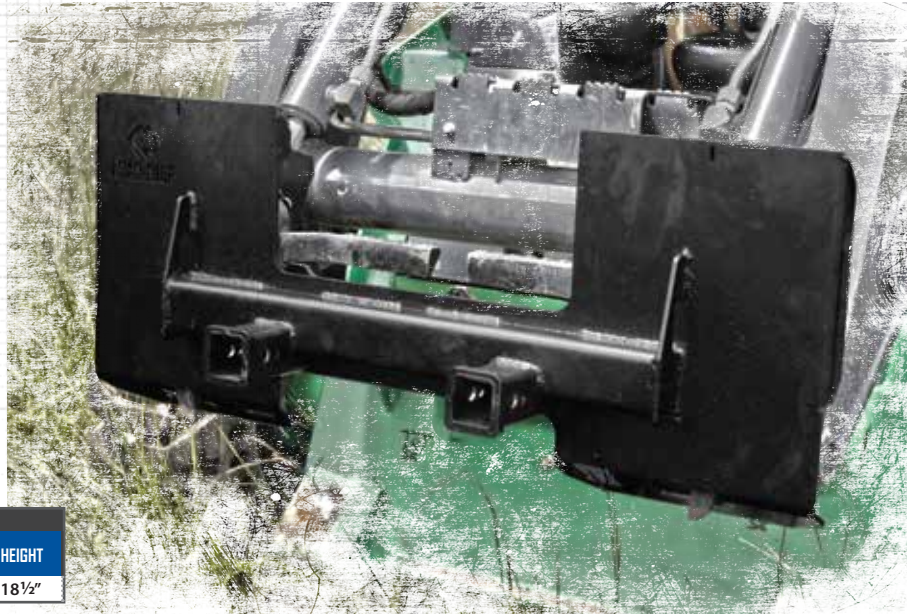
SKID STEER ADAPTER PLATE

PART #		
STEEL BLACK	WEIGHT	PTD HOOKUP
29211729	119 lbs	NO



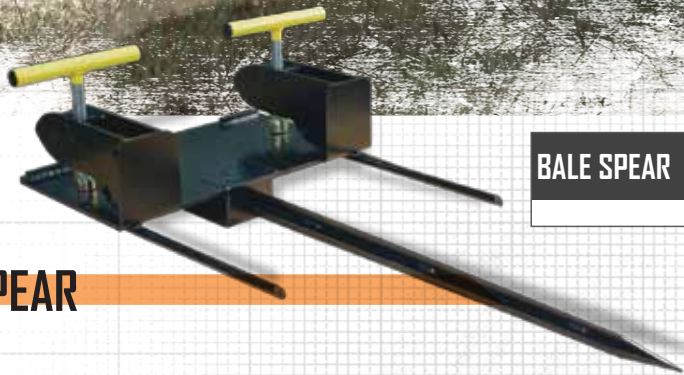
DUAL HITCH RECEIVER PLATE

PART #	DIMENSIONS						WORKS WITH PART #
	STEEL BLACK	WEIGHT	COMPATIBLE RECEIVERS	LENGTH	WIDTH	HEIGHT	
29211727	72 lbs	2"	45½"	9"	18½"	29211726 29211725 29211722	



SINGLE HITCH RECEIVER PLATE

PART #	DIMENSIONS					
	STEEL BLACK	WEIGHT	COMPATIBLE RECEIVERS	LENGTH	WIDTH	HEIGHT
29211721	69 Lbs	2"	45½"	9"	18½"	



BALE SPEAR

PART #	STEEL BLACK	WEIGHT	CAPACITY	DIMENSIONS			
				OVERALL LENGTH	WIDTH	UNDER BUCKET	INSIDE BUCKET
29211723		99 lbs	1800 lbs	50"	24"	12½"	10¼"

BALE SPEAR



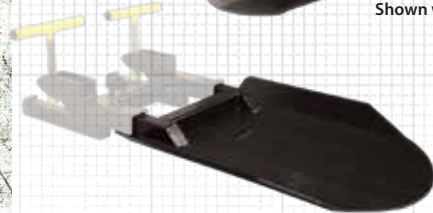
LOAD-QUIP™ steel and aluminum attachments and accessories are Made in the USA



SPADE ATTACHMENT



Shown with #29211727



Shown with #29211724

SPADE ATTACHMENT

PART #	STEEL BLACK	WEIGHT	LENGTH	WIDTH	HEIGHT	DIMENSIONS	
						WORKS WITH PART #	
29211726		57 lbs	36"	26¼"	3"	29211727	29211724

/// THE NAME SAYS IT ALL! ///



/// www.dawsbetterbuilt.com ///



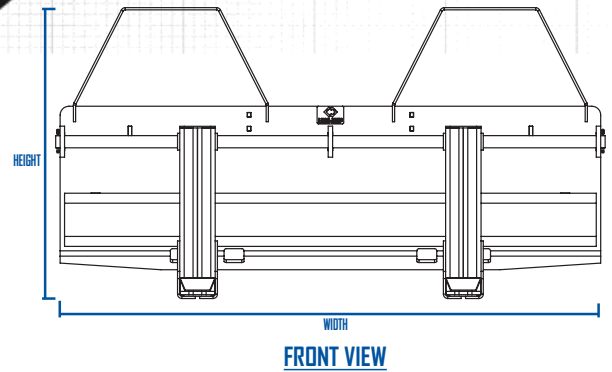
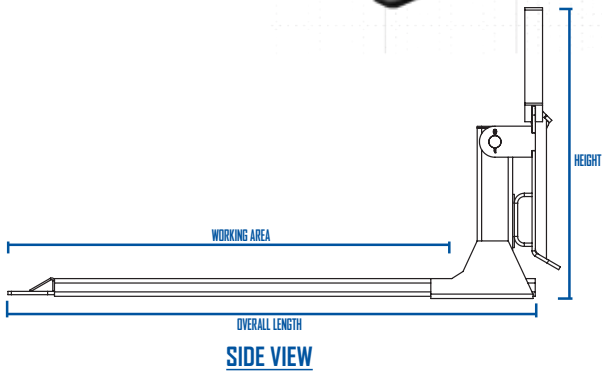
SKID STEER ATTACHMENTS



LOAD-EQUIP™ steel and aluminum attachments and accessories are Made in the USA.

4000 LB. ADJUSTABLE FORKS

ADJUSTABLE FORKS FOR SKID STEERS	PART #	WEIGHT	DIMENSIONS			
	STEEL BLACK		OVERALL LENGTH	WORKING AREA	WIDTH	HEIGHT
4000 lb. Load Capacity	29211741	410 lbs	59½"	50¼"	61"	32¾"



/// THE NAME SAYS IT ALL! ///



/// www.dawsbetterbuilt.com ///





BALE SPEAR

BALE SPEAR FOR SKID STEERS

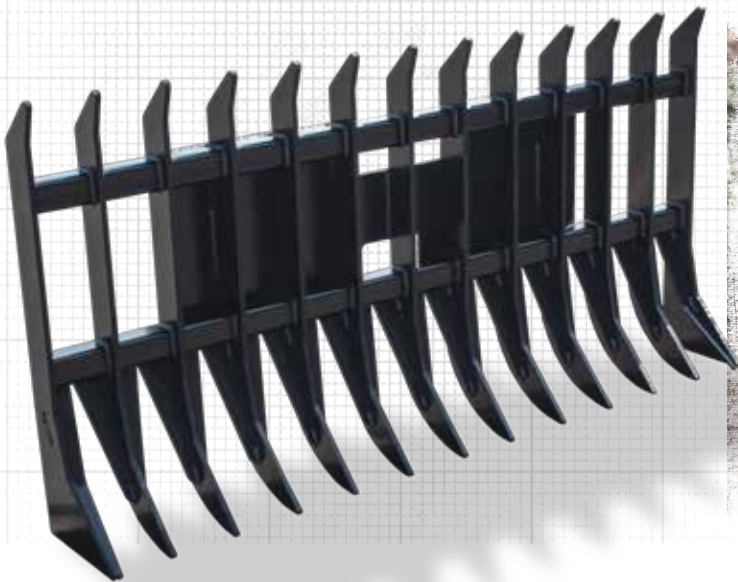
	PART #	DIMENSIONS			
	STEEL BLACK	WEIGHT	LENGTH	WIDTH	HEIGHT
3-Tine Bale Spear	29211742	164 lbs	48"	46"	19"



LAND LEVELER

LAND LEVELER FOR SKID STEERS

	PART #	DIMENSIONS			
	STEEL BLACK	WEIGHT	LENGTH	WIDTH	HEIGHT
60 in. Land Leveler	29211743	455 lbs	49"	60"	20"
72 in. Land Leveler	29211739	503 lbs	49"	72"	20"



DEBRIS RAKE

DEBRIS RAKE FOR SKID STEERS

	PART #	DIMENSIONS			
	STEEL BLACK	WEIGHT	LENGTH	WIDTH	HEIGHT
66 in. Debris Rake	29211744	407 lbs	14"	66"	36"
72 in. Debris Rake	29211739	434 lbs	14"	72"	36"



LOAD-QUIP™

/// THE NAME SAYS IT ALL! ///



/// www.dawsbetterbuilt.com ///



HANDLE LOADS SAFELY

Improper use of loader buckets and attachment accessories can result in serious injury or death. The load can fall onto you, your machinery, or surrounding people or equipment causing injury or even death.

For ideal stability and visibility:

- ▶ Become familiar with use and location of all the machinery controls.
- ▶ Be sure anyone operating the machinery is aware of safe operation and potential hazards.
- ▶ Operate machinery from operator's seat only.
- ▶ Remain at controls until operating cycle is complete.
- ▶ Beware of low electrical wires when loader is raised. Serious injury or death can occur if contact is made.
- ▶ Do not handle loads that exceed the weight limitations of the loader or bucket accessories.
- ▶ Carry loads slowly and as low as possible to the ground.
- ▶ Operate the machines hydraulic controls smoothly, avoid any quick movements.
- ▶ When handling loads on an incline always drive in forward up the incline and in reverse down.
- ▶ Only use machinery equipped with a ROPS cab or rollover protection structure.
- ▶ Stop machinery gradually before lowering or lifting loads.
- ▶ Use extreme caution when working on hillsides and inclines.
- ▶ Avoid any holes, ditches, and obstructions, which can cause loader to easily tip.
- ▶ Allow for additional length of attachment accessories on machinery while turning.
- ▶ Never allow anyone to walk or work under a raised bucket or attachment accessory.
- ▶ Never allow people, livestock, or pets to stand near the machine while operating.
- ▶ Do not use any attachment accessories as a work platform.
- ▶ Do not lift or carry a person or animal on or in the bucket or attachment accessories.
- ▶ Move slowly over rough terrain or when making turns.
- ▶ Drive with caution through gates and doorways.
- ▶ Avoid carrying loose loads or loads that can quickly shift. Use chain buckle when possible.
- ▶ Always lower the bucket or attachment accessories to the ground when machine is unattended.
- ▶ If the load prevents forward visibility drive in reverse.



LOAD-EQUIP™ steel and aluminum attachments and accessories are **Made in the USA.**

DANGER

The operator must be 21 years or older and be properly trained. If you are handling loads with both the front-end loader and the 3-point hitch on a tractor, always load the 3-point hitch attachment first and unload last. Use pallet forks adjusted to maximum width position possible to increase load stability. Use receiver in center of bucket to increase load stability.

DO NOT operate equipment if the attachment is not securely fastened. Always check and tighten the attachment before each use. If loose, your load and attachment can come off of your equipment creating a dangerous situation that could lead to serious injury or death.

CAUTION



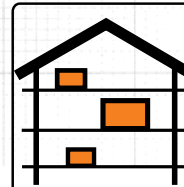
Working with unfamiliar equipment can cause **injuries or death**. Read this manual and the manual of your machinery before assembly or operation of the machine or accessories. It is the owner's responsibility to make certain that whoever operates the machine or attachment accessories reads and **understands all operator's manuals** and is instructed in safe and proper use.



Check your **machinery** to make sure it is in **good working condition** prior to use. Loaders that attach to the tractor frame rails should have a cross-tie installed for stability.



The **machinery** used must have a **lift capacity greater than the weight of the load** to be handled. **Never lift a load that will jeopardize the structural integrity of your equipment**. Never exceed the lift capacity of the attachment accessory. The required size of the lifting equipment will be determined by the size and weight of the loads to be handled. **Wet hay or debris can be extremely heavy in relation to similar size dry loads.**



STORAGE

- Inspect attachment accessory for loose, damaged or worn parts and adjust or replace if needed.
- Always store in a safe place away from children or animals.

WARNING



Power unit must be equipped with ROPS or ROPS cab and seat belt. Keep seat belt securely fastened at all times while operating the machine. Falling off powered unit can result in death from being run over or crushed. Keep foldable ROPS systems in "locked up" position at all times.

WARNING



A heavy load can cause instability in driving your machine. Make sure the front or rear of your machinery is properly counter balanced with weights. Always drive slowly, especially around turns. Unstable lifting equipment could steer badly and possibly tip over, causing injury or death. The use of any loader attachment is NOT recommended on tractors with a tricycle wheel arrangement.