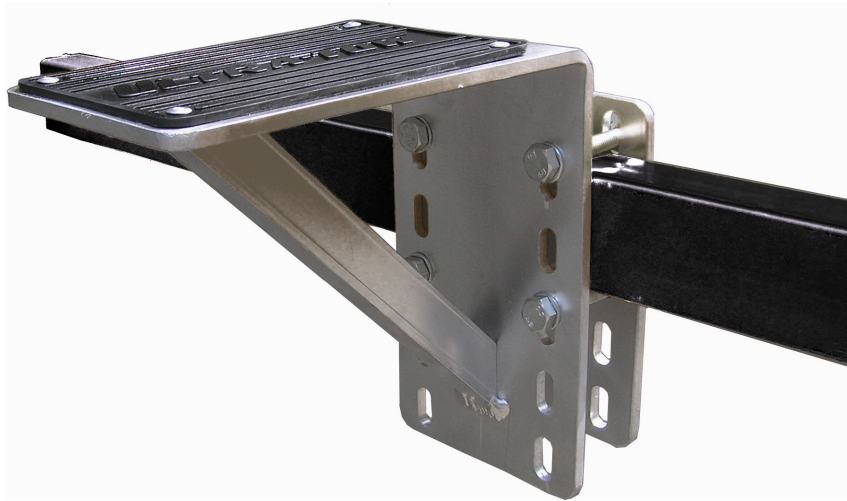




Aluminum Trailer Step OWNER'S MANUAL



WARNING:

Read carefully and understand all **ASSEMBLY AND OPERATION INSTRUCTIONS** before operating. Failure to follow the safety rules and other basic safety precautions may result in serious personal injury.

Item# 365411

Thank you very much for choosing an Ultra-Tow™ product. For future reference, please complete the owner's record below:

Model: _____ Purchase Date: _____

Save the receipt, warranty and these instructions. It is important that you read the entire manual to become familiar with this product before you begin using it.

This product is designed for certain applications only. The distributor cannot be responsible for issues arising from modification. We strongly recommend this product not be modified and/or used for any application other than that for which it was designed. If you have any questions relative to a particular application, DO NOT use the product until you have first contacted the distributor to determine if it can or should be performed on the product.

For technical questions please call **1-800-222-5381**.

INTENDED USE

Mounts onto your trailer frame or tongue as a versatile step for easy access to your cargo or trailered boat.

TECHNICAL SPECIFICATIONS

Item	Description
Capacity	300 lbs.
Construction	Aluminum
Dimensions	5in.W x 9in.D (12.7cm x 23cm) step surface with no-slip pad
Mounting	Mounts fit up to a 3in. x 5in. (7.6cm x 12.7cm) trailer frame

GENERAL SAFETY RULES



WARNING: Read and understand all instructions and safety precautions as outlined in the manufacturer's manual for the trailer you are using. Make sure to mount the Trailer Step to the manufacturer's recommended mounting points.



CAUTION: Do not allow persons to operate or assemble this step until they have read this manual and have developed a thorough understanding of how the step works.



WARNING: The warnings, cautions, and instructions discussed in this instruction manual cannot cover all possible conditions or situations that could occur. It must be understood by the operator that common sense and caution are factors which cannot be built into this product, but must be supplied by the operator.

SAVE THESE INSTRUCTIONS

WORK AREA

- **Keep work area clean**, free of clutter and well lit. Cluttered and dark work areas can cause accidents.
- **Be alert of your surroundings.** Using a step in confined work areas may put you in a dangerous situation.

PERSONAL SAFETY

- **Stay alert**, watch what you are doing and use common sense when using a step. Do not use a step while you are tired or under the influence of drugs, alcohol or medication. A moment of inattention while using a step may result in serious personal injury.

STEP USE AND CARE

- **Do not modify the step in any way.** Unauthorized modification may impair the function and/or safety and could affect the life of this item. There are specific applications for which the step was designed.
- **Always check for damaged or worn out parts before using the step.** Broken parts will affect how the step functions. Replace or repair damaged or worn parts immediately.
- **Do not exceed the step load capacity of 300 lbs.**
- **Do not force this product.** Do not use inappropriate attachments in an attempt to exceed the capacity of the step.

ASSEMBLY

1. Secure the unloaded trailer with wheel chocks (blocks) on a hard, flat surface capable of supporting the weight of the trailer, Trailer Step and required tools.
2. Raise the trailer tongue and secure it with two supports, one on each side of the trailer tongue.
3. Position the Mounting Plate of Step Frame (2) in the correct location against the side of the trailer tongue or frame.

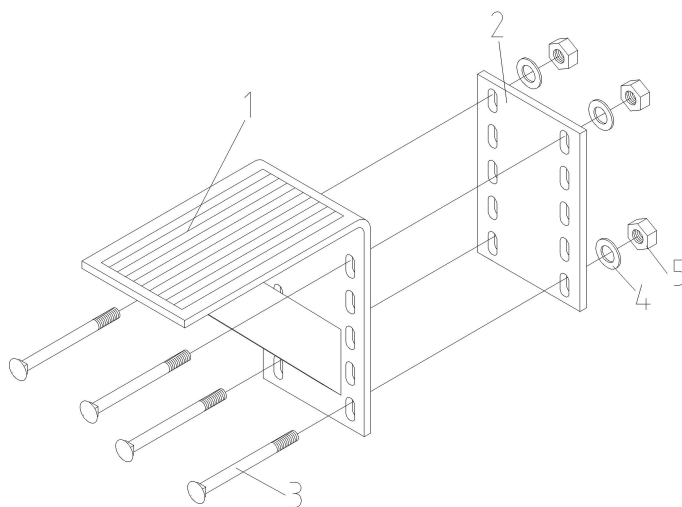
NOTE: No-Slip Step Pad surface should be above the position of the Trailer Tongue Plate.

4. Attach the Mounting Plate (1) to the Step Frame (2). Set the Mounting Plate (1) against opposite side of the trailer tongue or frame.
5. Insert four Hex Bolts (3) through the Mounting Plates (1) as close to the trailer tongue or frame as possible. Slide on Washers (4), Lock Nuts (5). Use a torque wrench to tighten the Nuts (5) to 90 ft. /Lbs.
6. The step is ready for use. **Please note: DO NOT** exceed the 300 lb. weight capacity.

MAINTENANCE

- **Maintain your step.** It is recommended that the general condition of the step be examined before it is used. Check that hardware and step are in good condition. Never use with broken or damaged parts. Always replace damaged or broken parts before using the step.

DIAGRAM & PARTS LIST



Part	Description	Qty.
1	Step Frame	1
2	Mounting Plate	1
3	Bolt	4
4	Washer	4
5	Lock Nut	4

For replacement parts and technical questions, please call **1-800-222-5381**.

WARRANTY

One-year limited warranty

ULTRA-TOW[™]

Distributed by
Northern Tool + Equipment Co., Inc.
Burnsville, Minnesota 55306-6936
Made in China