

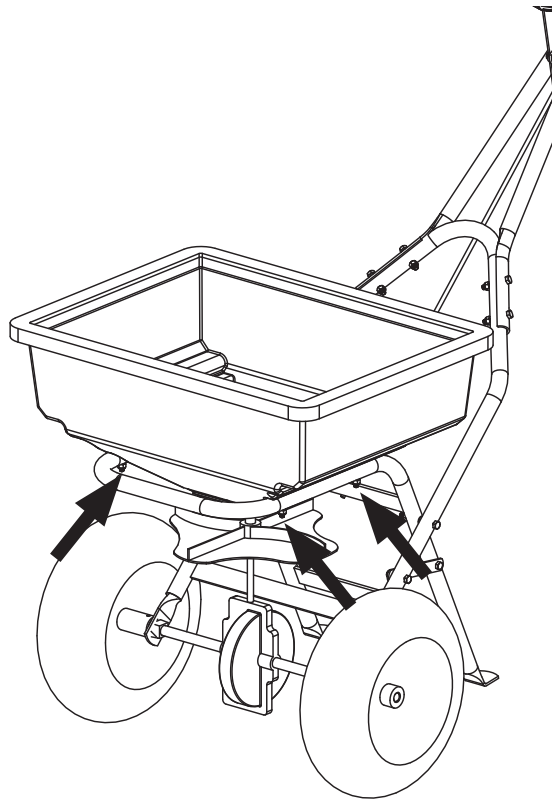
---

# Installation Instructions

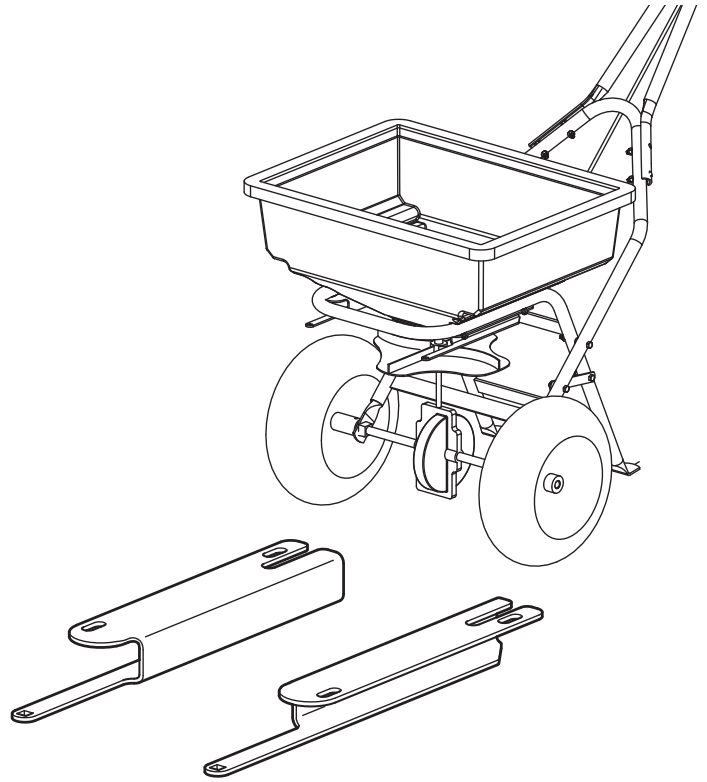
---

## KSP10-FD2

1. Remove (4) 1/4" Locknuts that hold the Hopper to the Frame.



2. Install left and right Deflector Brackets onto Bolts and re-install 1/4" Locknuts removed in Step 1.  
NOTE Orientation as shown in illustration.



3. Slide Full Deflector onto Brackets and secure using (2) 1/4" x 3/4" Carriage Bolts and T-Knobs.

