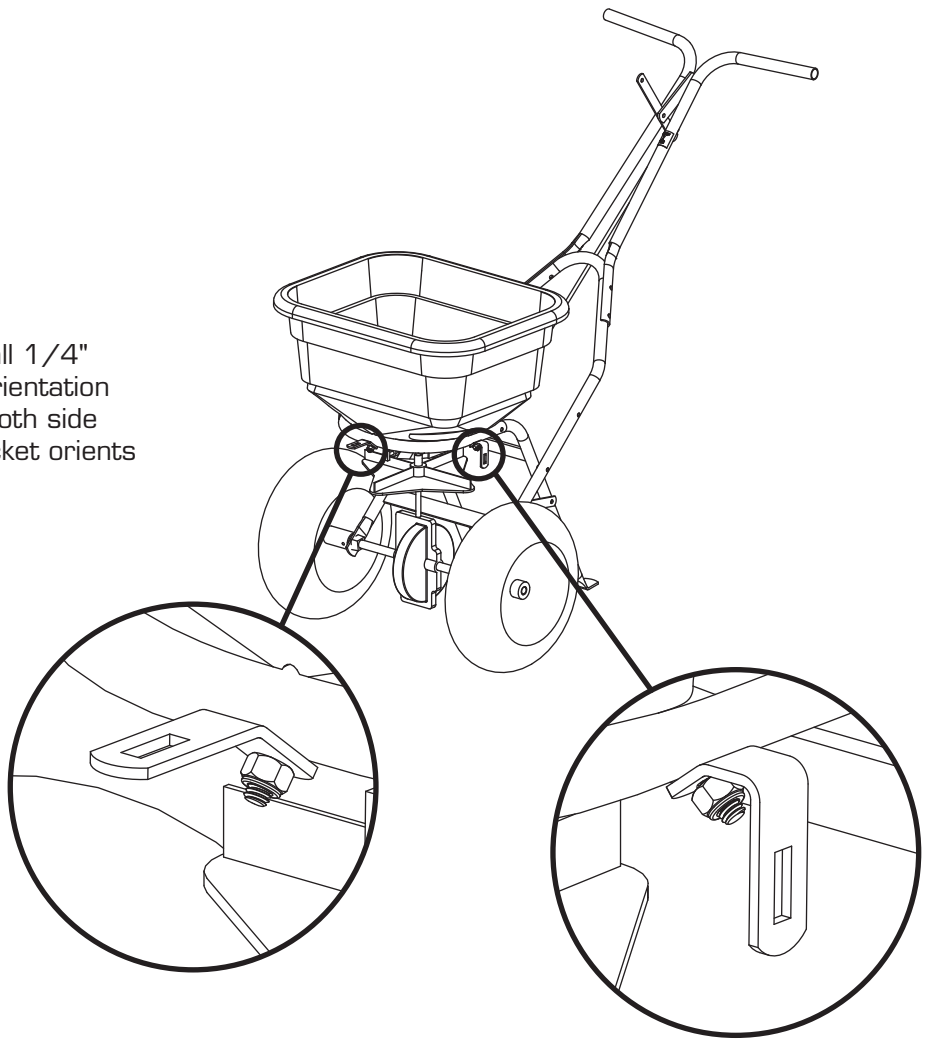

Installation Instructions

KSP09-FD1

1. Remove (3) 1/4" Locknuts that hold the Hopper to the Frame.



2. Install Brackets onto Bolts and re-install 1/4" Locknuts removed in Step 1. NOTE Orientation of brackets as shown in illustration. Both side brackets orient downward. Front bracket orients straight forward.



3. Slide Full Deflector onto Brackets. Secure using (3) 1/4" x 3/4" Carriage Bolts and T-Knobs. Note Carriage Bolts install from the inside of the deflector through brackets installed in Step 2.

