

332920

IMPORTANT:
Read Before Using

IMPORTANT :
Lire avant usage

IMPORTANTE:
Leer antes de usar

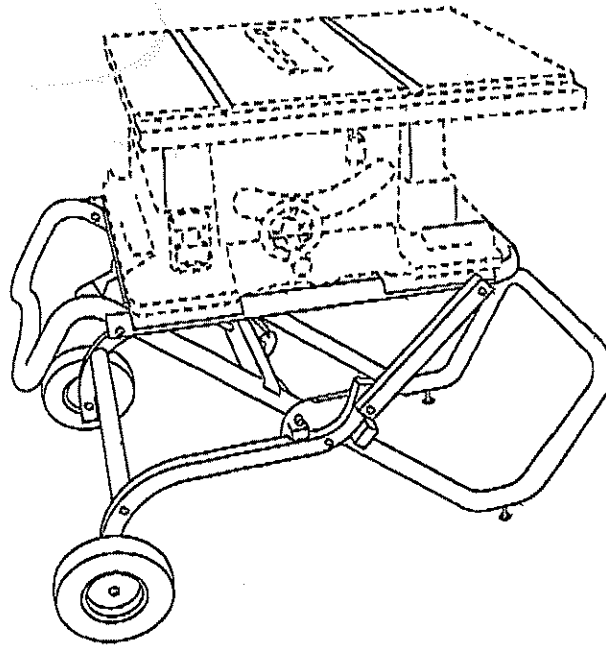


Operating/Safety Instructions

Consignes de fonctionnement/sécurité

Instrucciones de funcionamiento y seguridad

TS2000



BOSCH

**Call Toll Free
for Consumer Information
& Service Locations**

**Pour renseignement des
consommateurs et centres
de service, appelez au
numéro gratuit :**

**Llame gratis para
obtener información
para el consumidor y
ubicaciones de servicio**

1-877-BOSCH99 (1-877-267-2499) www.boschtools.com

**For English
See page 2**

**Parlez-vous français?
Voir page 9**

**¿Habla español?
Ver página 16**

Safety Instructions

▲ WARNING Read and understand all instructions. Failure to follow all instructions listed below may result in serious personal injury.

Fully assemble and tighten all the fasteners required for this stand. Also remember to occasionally check the stand and make sure it is still tight. A loose stand is unstable and may shift in use and cause serious injury.

Turn tool switch off and disconnect power before mounting to the stand. Unintended startup during assembly can cause injury.

Before operating make sure the entire unit is placed on a solid, flat, level surface. Serious injury could occur if tool is unstable and tips.

Never stand on tool or its stand or use as ladder or scaffolding. Serious injury could occur if the tool is tipped or the cutting tool is accidentally contacted. Do not store materials on or near the tool such that it is necessary to stand on the tool or its stand to reach them.

Use only Bosch replacement parts. Any others may create a hazard.

Pre-Assembly

You have purchased a Bosch Table Saw Stand TS2000. Designed for job site use, This unit sets up and folds quickly, and is easily loaded or unloaded by one person into a truck.

For use with the following table saws: Bosch 4000, Dewalt DW744, Craftsman 21830, and Makita 2703.

TOOLS REQUIRED:

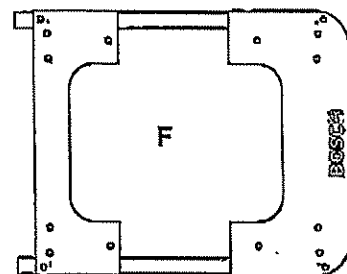
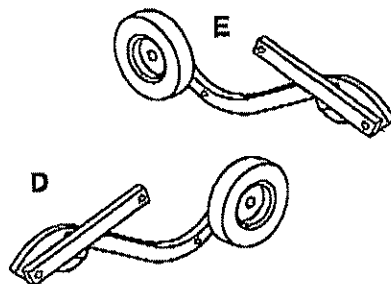
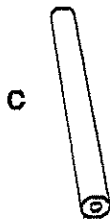
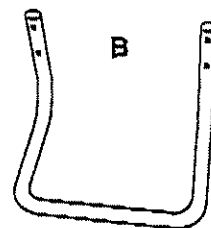
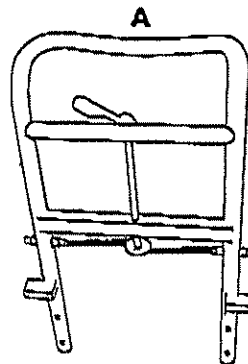
Phillips screwdriver, 10 MM open end wrench, 16 MM open end wrench, or adjustable wrench.

BEFORE YOU ASSEMBLE THIS TABLE SAW STAND:

Sort out and account for all parts to make sure that you have all necessary materials to assemble your stand. Do not discard packing material until all parts are accounted for.

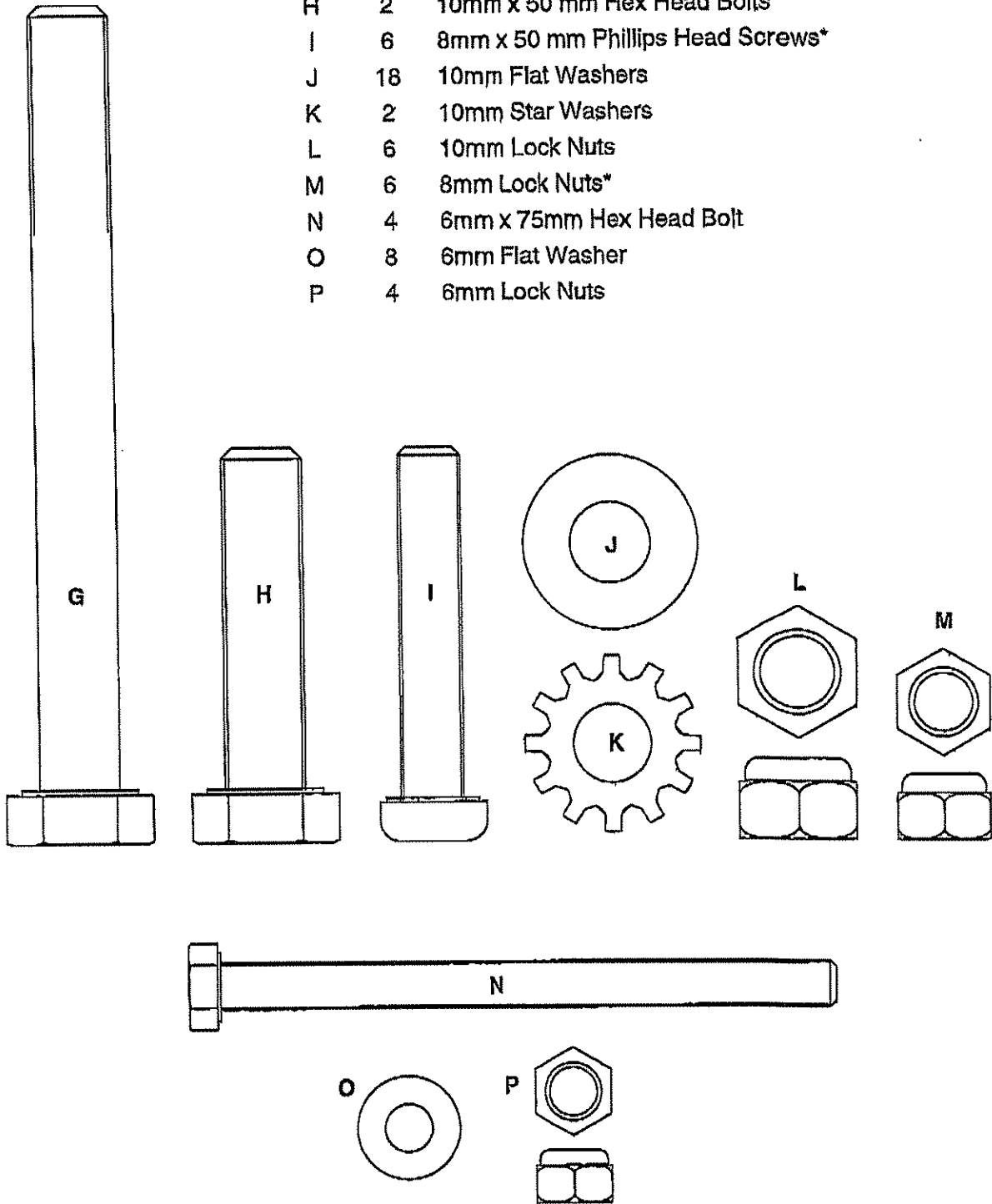
TS2000 TABLE SAW STAND PACKAGE CONTENTS:

Item	Qty.	Part Description
A	(1)	Upper Cross Bar
B	(1)	Lower Cross Bar
C	(1)	Kickback Bar
D	(1)	Right Leg/Wheel Assembly
E	(1)	Left Leg/Wheel Assembly
F	(1)	Table Top



**STAND ASSEMBLY HARDWARE
(packaged in one bag)**

<u>Item</u>	<u>Qty.</u>	<u>Part Description</u>
G	6	10mm x 100mm Hex Head Bolts
H	2	10mm x 50 mm Hex Head Bolts
I	6	8mm x 50 mm Phillips Head Screws*
J	18	10mm Flat Washers
K	2	10mm Star Washers
L	6	10mm Lock Nuts
M	6	8mm Lock Nuts*
N	4	6mm x 75mm Hex Head Bolt
O	8	6mm Flat Washer
P	4	6mm Lock Nuts



***Note:** There are two (2) 8mm x 50mm Phillips head screws and two (2) 8mm lock nuts to be used only when attaching other branded table saws to the Bosch TS2000 stand. See page 6 for instructions.

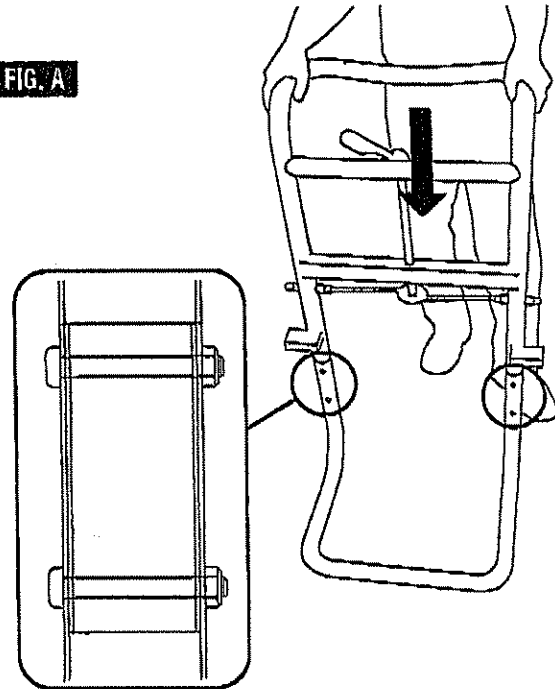
Assembly

Step 1

Attach Upper and Lower Cross Bars

1. Position lower cross bar on a flat surface as shown in figure A.
2. Insert ends of upper cross bar into the lower cross bar and push downward as far as it will go.
3. Insert four (4) 8 mm x 50 mm Phillips Head Screws through the holes of the upper and lower cross bars, and securely tighten with four (4) 8 mm lock nuts as shown.

FIG. A

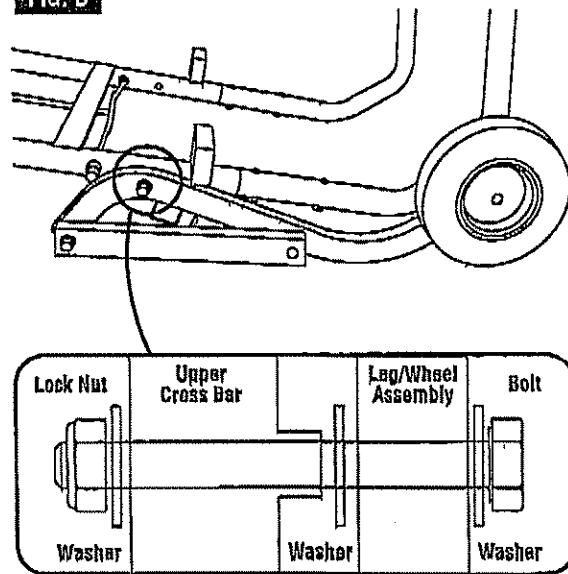


Step 2

Attach Leg/Wheel Assemblies

1. Locate the right leg/wheel assembly and position on right side of upper/lower cross bar assembly as shown in figure B.
2. Place one (1) flat washer onto one (1) 10 mm x 100 mm bolt and insert through right leg/wheel assembly.
3. Place another (1) 10 mm flat washer on bolt between leg/wheel assembly and upper/lower cross bar assembly.
4. Insert bolt through upper/lower cross bar assembly, place one (1) 10 mm flat washer, and loosely tighten with one (1) 10 mm lock nut.

FIG. B



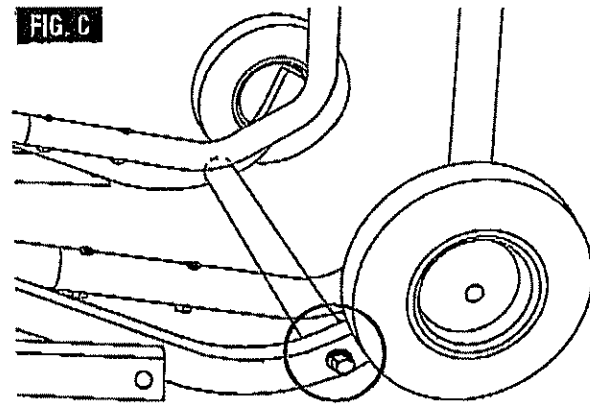
Note: Do not over-tighten lock nut - these parts need to freely rotate for stand to operate properly.

Repeat procedure on left side.

Step 3 Attach Kick Bar

1. Locate the kick bar and position it between the left and right wheel assemblies as shown in figure C.
2. Place one (1) 10 mm star washer onto one (1) 10 mm x 50 mm hex head bolt. Insert bolt through the leg/wheel assembly and thread it into the the kick bar and securely tighten.

Repeat this procedure on other side.

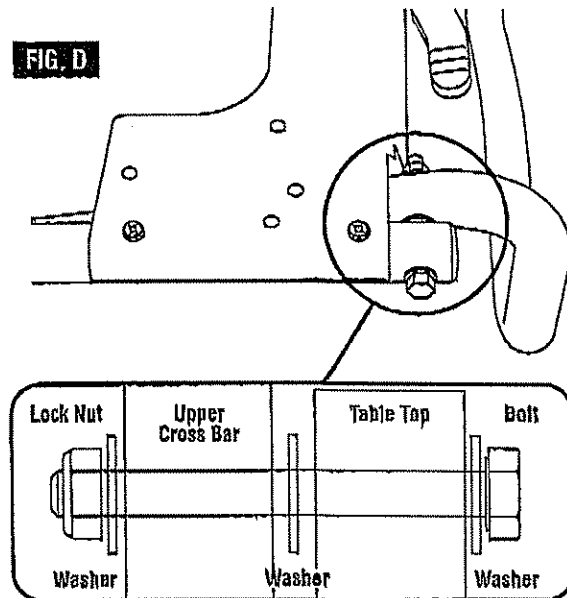


Step 4 Attach Table Top

1. Locate the table top and position holes in end of table top with holes in upper cross bar as shown in figure D.
2. Place one (1) flat washer onto one (1) 10 mm x 100 mm bolt.
3. Insert bolt through table top and place another (1) flat washer on bolt between table top and upper cross bar,
4. Insert bolt through upper cross bar, place one (1) flat washer, and loosely tighten with one (1) 10 mm lock nut.

Note: Do not over-tighten lock nut - these parts need to freely rotate for stand to operate properly.

Repeat this procedure on opposite side.

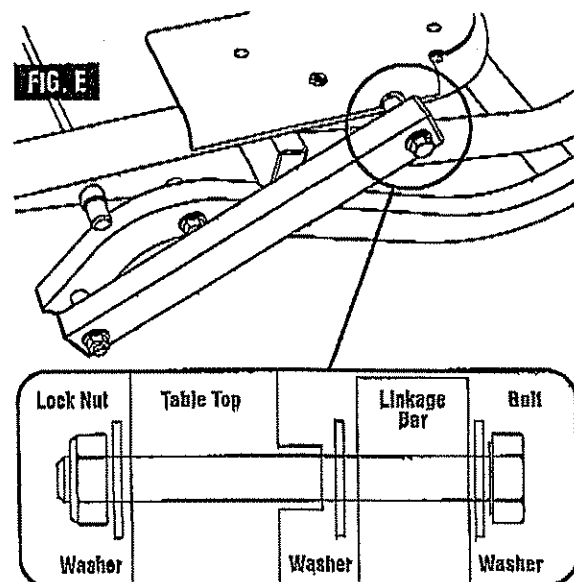


Step 5 Attach Linkage Bars

1. Align hole in upper linkage bar with hole in table top as shown in figure E.
2. Place one (1) flat washer onto one (1) 10 mm x 100 mm bolt.
3. Insert bolt through linkage bar and place another (1) flat washer on bolt between table top and upper cross bar.
4. Insert bolt through table top, place one (1) flat washer, and loosely tighten with one (1) 10 mm lock nut.

Note: Do not over-tighten lock nut - these parts need to freely rotate for stand to operate properly.

Repeat this procedure on opposite side.



Assembly

For Mounting Bosch 4000 Table Saw to Stand

1. Using the diagram below, locate the Bosch 4000 mounting holes and position saw on stand as shown in figure F.
2. Place one (1) 6 mm flat washer onto one (1) 6 mm x 75 mm hex head bolt and insert bolt through mounting hole in table saw and through stand table top.
3. Place one (1) 6 mm flat washer and securely tighten with one (1) 6 mm lock nut.

Repeat this procedure on the three remaining mounting holes.

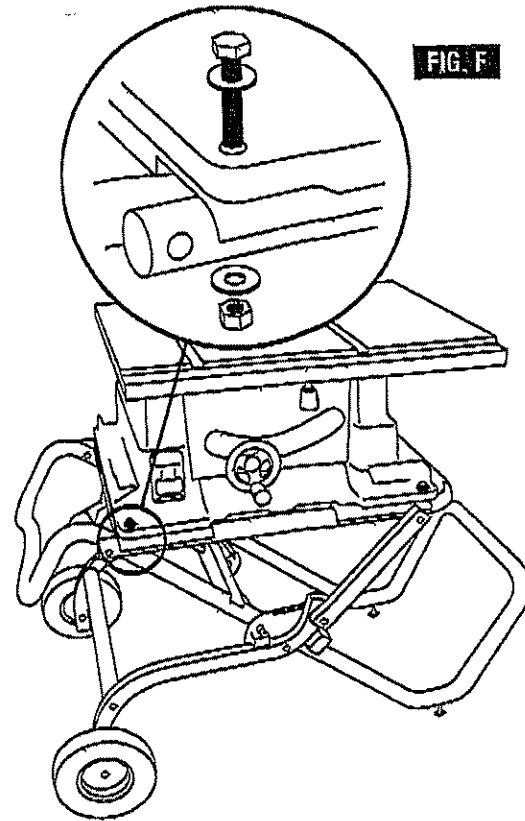


FIG. F

For Mounting Other Table Saws

Important: Before mounting a DeWalt, Craftsman, Makita, Hitachi, or Ridgid table saw, insert two (2) 8mm x 50mm Phillips head screws through "B" hole locations and tighten using 8mm lock nuts.

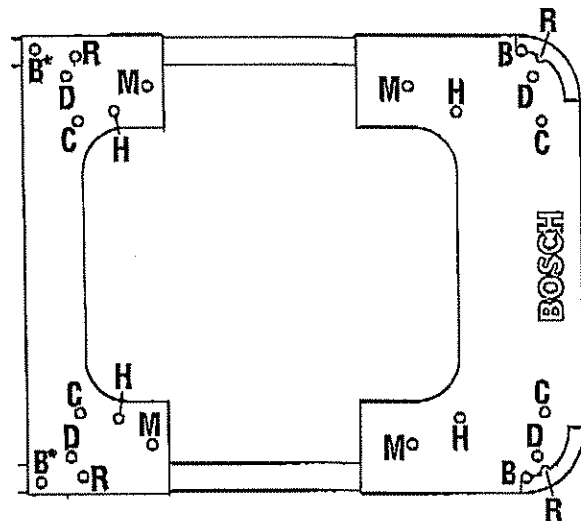
1. Using the diagram below, locate the correct mounting holes for the table saw being used and position saw on stand accordingly.

For use with Hitachi Table Saw:

If your TS2000 stand does not have "H" holes, you will need to drill holes. Place the saw over the center of the opening and make pencil marks (through the L-shaped bracket holes) on the table top mounting plates. Remove saw and drill four (4) 5/16" diameter holes through the mounting plates.

For use with Ridgid Table Saw:

Locate the four "R" holes in the two mounting plates and drill four (4) 3/8" diameter holes completely through the stand's frame.



2. Mount the table saw using the appropriate mounting hardware for your table saw model.

Table Saw Models

Mounting Holes

Bosch 4000	B
DeWalt DW744	D
Craftsman 21830	C
Makita 2703	M
Hitachi C10RA2**	H
Ridgid TS2400LS**	R

**See instructions.

Operating Instructions

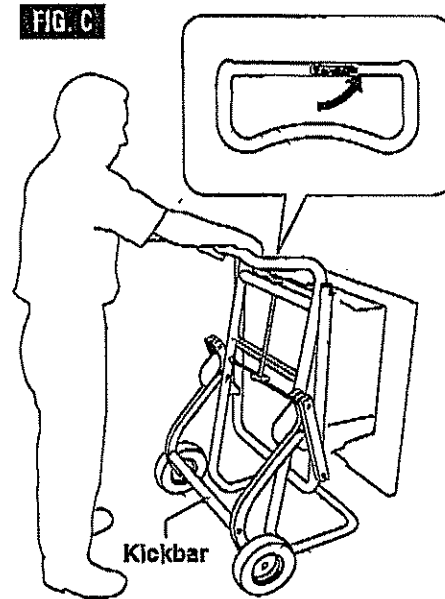
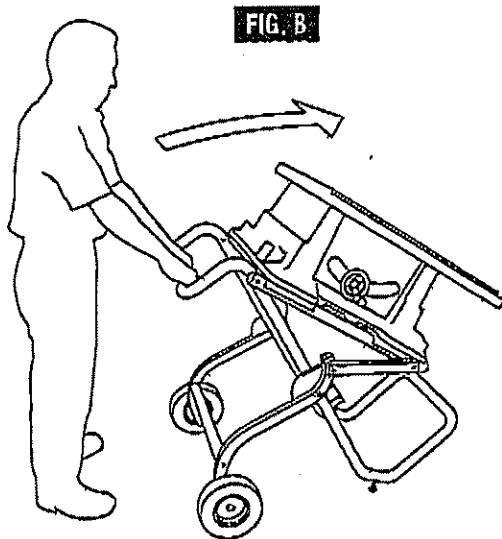
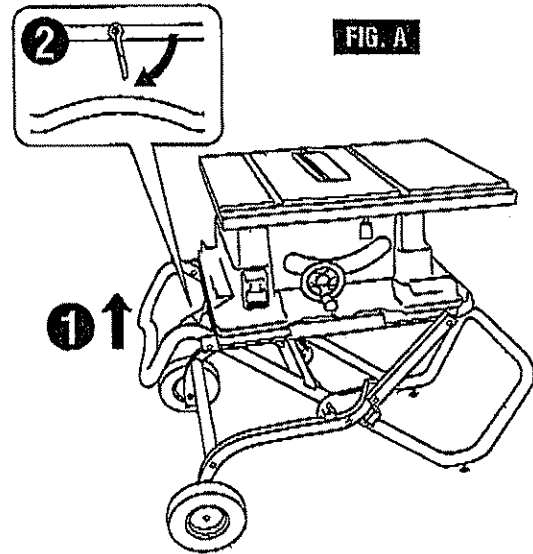
Fold Stand Upright

▲ WARNING Keep fingers clear of hinge points when folding or unfolding the stand.

1. Slightly lift stand by the black handle.
2. Rotate release lever down to clear locking pins.
3. With both hands on the handle, pull up and push forward on the stand, figure B, until it locks in the upright position, figure C.

Lower Stand

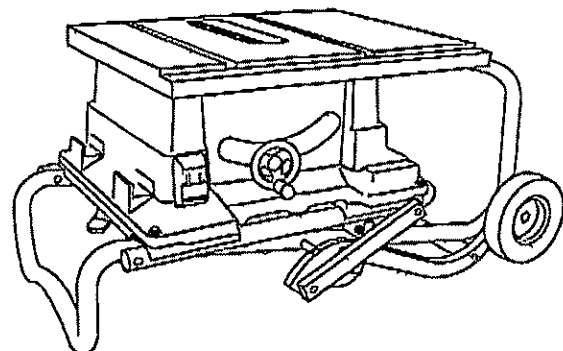
1. Rotate the release lever, then pull back on the stand slightly to disengage.
2. With both hands on the handle, pull back and lower the stand until it locks in position.



Lowering Stand to its Lowest Position

Begin with the stand in the locked upright position, as shown above in figure C.

Firmly grip the handle with both hands and place one foot against the kick bar. Pull back on the handle and lower the stand to the ground, as shown.

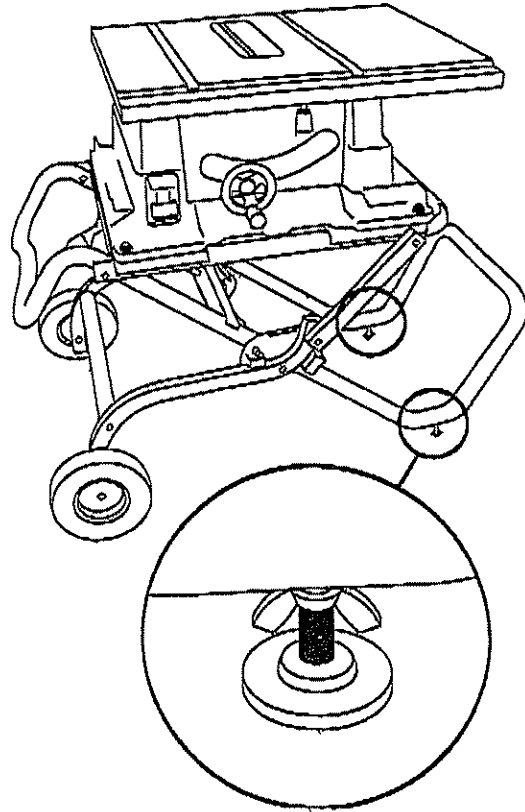


Operating Instructions

To level stand

The stand is equipped with two adjustable feet for leveling the stand.

To adjust: loosen wing nut and adjust the height of the foot by screwing the threaded shaft clockwise to raise foot or counter-clockwise to lower foot. Retighten wing nut securely.



Maintenance

▲ WARNING To reduce the risk of injury, periodically check that all fasteners are attached and adjusted according to the assembly instructions included in this manual.

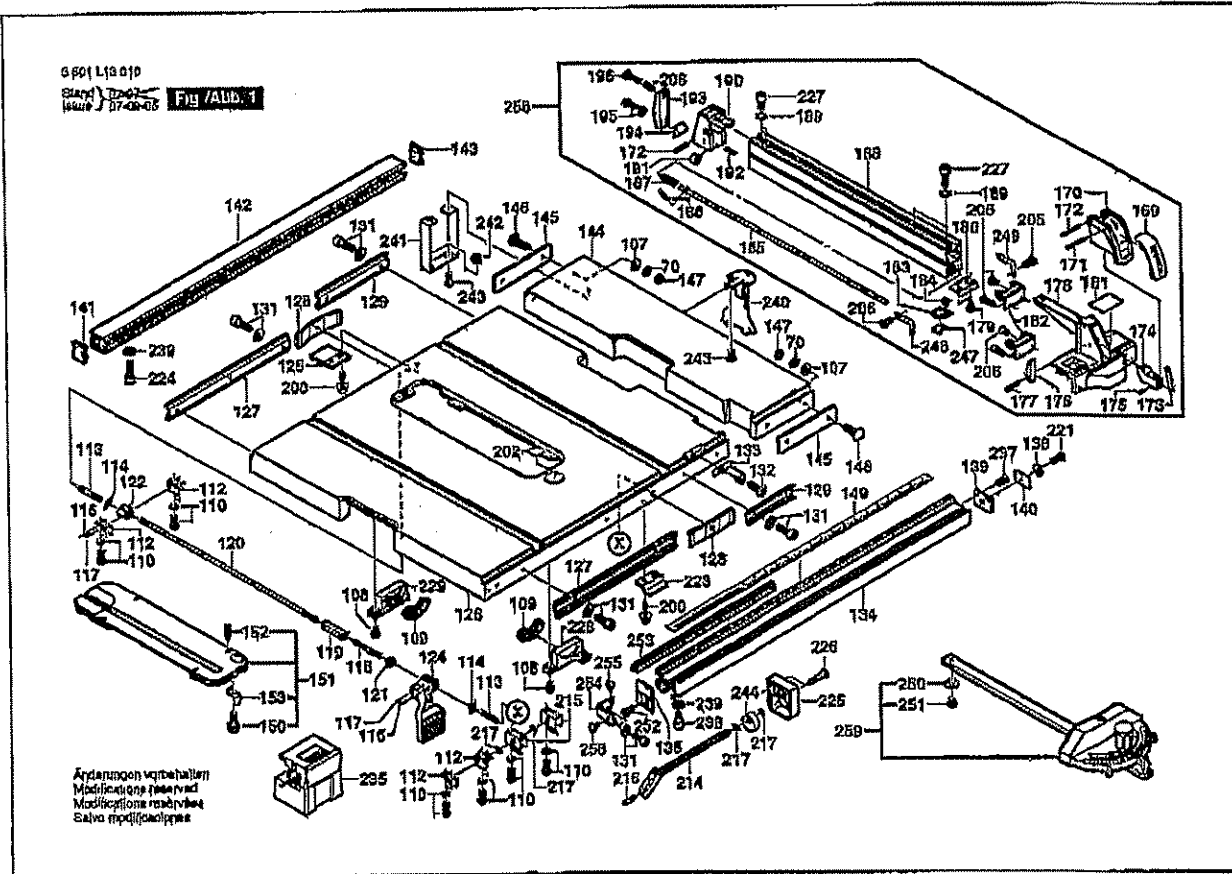
Tire Pressure

The TS2000 tires are shipped with an air pressure of 25 to 30 P.S.I. — an adequate pressure for most working conditions. If you wish to increase the tire pressure for a slightly firmer support, you may inflate the tires to a maximum of 50 P.S.I. It is recommended that a hand pump is used.

SAW TABLE
0 601 B13 010 4100

338920

14.02.2008 16:04:46



Item	Quantity	Order No.	Designation	Price group	Page
1	1	2 610 996 864	MOTOR HOUSING	37	2
2	1	2 610 996 867	FIELD / 120V	40	2
3	1	2 610 996 866	ARMATURE / 120V	49	2
4	1	2 610 950 037	ON-OFF SWITCH		3
5	1	2 610 996 945	POWER SLIPPLY CORD	35	3
6	1	2 610 950 038	GROMMET		3
7	1	2 610 358 842	CLAMP	11	3
8	1	2 610 950 039	TYPE IDENTIFYING MARK		3
9	1	2 610 950 040	LABEL		3
10	1	2 610 997 207	CARBON-BRUSH SET	26	2
12	1	2 610 997 306	GOVERNOR / 115-120V	42	2
13	1	2 610 911 929	BALL BEARING	24	2
14	1	2 610 911 927	BALL BEARING	31	2
16	2	2 610 911 858	CARBON BRUSH HOLDER	27	2
19	2	2 610 358 841	HEX SCREW	11	3
20	1	2 610 950 041	WARNING LABEL		3
22	1	2 610 996 865	COVER	26	2
23	3	2 610 998 571	SCREW	10	2
24	2	2 610 911 859	COVER	12	2
26	2	2 610 911 569	INSERT	13	2
27	2	2 610 911 929	SCREW	10	2
28	1	2 610 996 948	RUBBER RING	11	2
29	1	2 610 911 566	BEARING END PLATE	14	2
30	2	2 610 950 427	SET SCREW		2
31	1	2 610 996 863	GEAR HOUSING	41	2
32	2	2 610 945 505	SCREW		2
33	1	2 610 950 042	WASHER		2

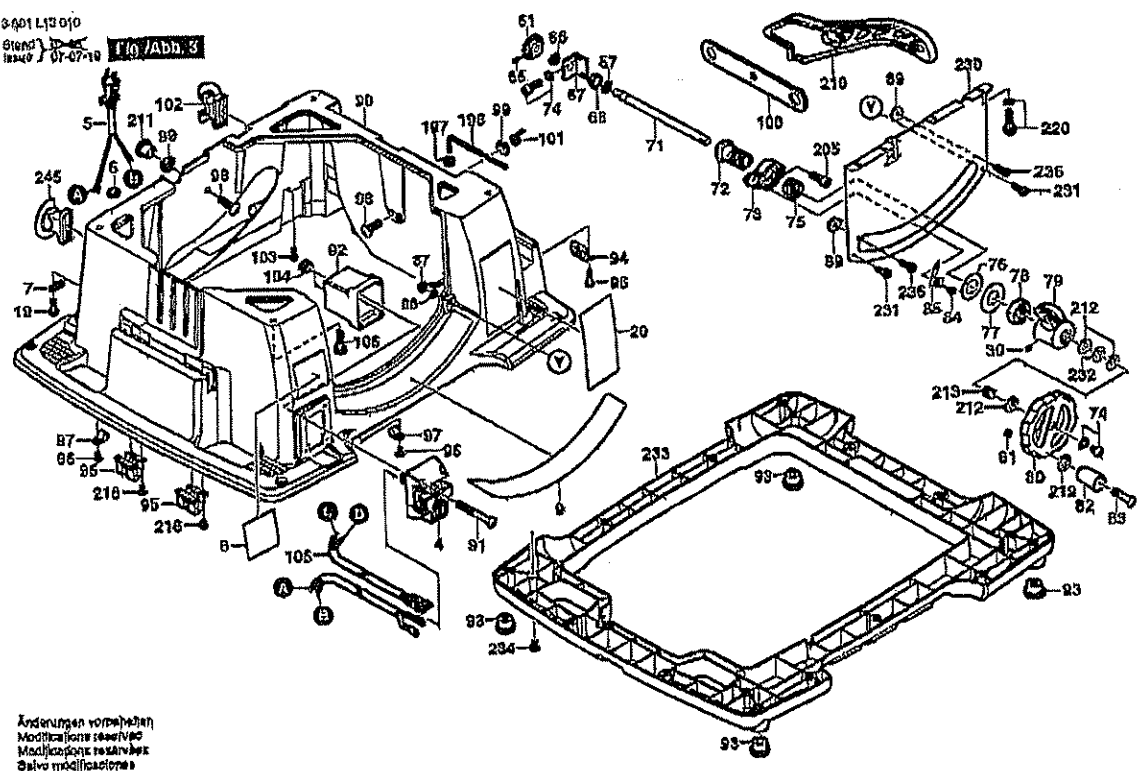
34	1	2 610 996 949	BALL BEARING	26	2
35	1	2 610 997 281	SPRING RETAINING RING	10	2
36	1	2 610 997 208	TOOTHED GEAR	35	2
37	1	2 610 996 869	GEAR COVER	31	2
38	1	2 610 358 916	SPRING RETAINING RING	11	2
39	1	2 610 997 210	BALL BEARING	26	2
40	1	2 610 950 043	SHAFT		2
41	1	2 610 993 102	KEY	12	2
42	1	2 610 996 932	BEARING SLEEVE	13	2
43	3	2 610 950 044	SCREW		2
44	4	2 610 998 572	SCREW	10	2
45	1	2 610 996 875	COILED SPRING	11	2
46	1	2 610 996 874	LOCKING LEVER	23	2
47	1	2 610 996 876	SHOULDER SCREW	11	2
48	1	2 610 950 045	WASHER		2
49	1	2 610 950 046	WASHER		2
50	1	2 610 950 047	NUT		2
51	1	2 610 996 879	WING SCREW	13	2
52	1	2 610 950 048	COVER PLATE		2
53	5	2 610 950 049	SCREW		2
54	1	2 610 950 050	COVER PLATE		2
55	1	2 610 950 051	HOLDING PLATE		2
56	2	2 610 950 052	ROD		2
57	1	2 610 997 276	SPRING RETAINING RING	10	3
58	1	2 610 950 053	THREADED ROD		2
59	1	2 610 998 573	SPRING RETAINING RING	10	2
60	1	2 610 997 221	BUSHING	17	2
61	2	2 610 996 896	TOOTHED GEAR	18	2
62	1	2 610 912 587	SPRING WASHER	10	2
63	1	2 610 998 588	SCREW	11	2
64	2	2 610 358 149	NUT	10	2
65	2	2 610 950 054	PIN		2
66	1	2 610 997 277	SPRING RETAINING RING	10	3
67	1	2 610 997 212	MOUNTING BRACKET	14	3
68	1	2 610 997 222	BUSHING	11	3
70	4	2 610 355 325	SPRING WASHER	10	1
71	1	2 610 996 897	SHAFT	23	3
72	1	2 610 996 933	THREADED BUSHING	26	3
73	1	2 610 996 938	BUSHING	21	3
74	3	2 610 950 055	SCREW		3
75	1	2 610 997 271	SPRING	11	3
76	1	2 610 998 550	PLAIN WASHER	11	3
77	1	2 610 997 299	PLAIN WASHER	11	3
78	1	2 610 997 298	NUT	17	3
79	1	2 610 950 056	HANDLE		3
80	1	2 610 950 057	HANDWHEEL		3
81	1	2 610 950 058	SCREW		3
82	1	2 610 950 059	SCREW		3
83	1	2 610 950 060	SCREW		3
84	1	2 610 950 061	SCREW		3
85	1	2 610 950 062	POINTER		3
86	2	2 610 347 092	PLAIN WASHER	10	3
87	4	2 610 911 901	SELF-LOCKING NUT	11	2
89	2	2 610 996 929	STOP	11	3
90	1	2 610 950 063	HOUSING		3
91	4	2 610 997 294	SCREW	10	3
92	1	2 610 950 064	SWITCH COVER		3
93	4	2 610 358 846	RUBBER BUSHING	11	3
94	2	2 610 996 930	PICKUP CLIP	13	3
95	2	2 610 950 065	HOLDING SPRING		3
96	6	2 610 950 066	SCREW		3
97	2	2 610 990 504	CABLE CLIP	10	3
98	2	2 610 950 067	SCREW		3

99	2	2 610 997 246	NUT	11	3
100	1	2 610 996 880	KEY	17	3
101	1	2 610 997 247	WING NUT		3
102	1	2 610 950 068	CLAMP		3
103	2	2 610 996 574	SCREW	10	3
104	3	2 610 998 567	CLAMP BUSHING		2
105	1	2 610 998 568	CONNECTING CABLE	19	3
106	4	2 610 997 297	SCREW	10	3
107	4	2 610 910 013	WASHER	12	1
108	6	2 610 950 069	SCREW		1
109	2	2 610 950 070	BUSHING		1
110	12	2 610 950 071	SCREW		1
111	4	2 610 998 587	SCREW	10	2
112	4	2 610 996 921	HOLDING BRACKET	11	1
113	2	2 610 996 913	PIN	16	1
114	2	2 610 996 917	PLATE	11	1
116	2	2 610 997 275	PIN	10	1
117	2	2 610 997 274	PIN	10	1
118	1	2 610 996 918	SET SCREW	12	1
119	1	2 610 996 920	CONNECTING NUT	18	1
120	1	2 610 996 919	ROD	21	1
121	1	2 610 994 262	NUT	12	1
122	1	2 610 996 915	CLAMPING PIECE	23	1
124	1	2 610 950 073	HANDLE		1
125	1	2 610 997 217	STOP	12	1
126	1	2 610 950 074	TABLE		1
127	2	2 610 950 075	MOUNTING RAIL		1
128	2	2 610 996 912	FIXING PLATE	18	1
129	2	2 610 950 076	MOUNTING RAIL		1
131	10	2 610 951 949	SCREW		1
132	1	2 610 950 077	SCREW		1
133	1	2 610 950 078	POINTER		1
134	1	2 610 950 079	PROFILE RAIL		1
135	1	2 610 951 941	CAP		1
138	1	2 610 950 080	WASHER		1
139	1	2 610 950 082	CAP		1
140	1	2 610 950 083	PLATE		1
141	1	2 610 997 218	COVER	10	1
142	1	2 610 950 084	PROFILE RAIL		1
143	1	2 610 997 216	COVER	10	1
144	1	2 610 950 085	TABLE		1
145	2	2 610 950 086	TABLE PLATE		1
146	4	2 610 950 087	SCREW		1
147	4	2 610 304 772	NUT	11	1
149	1	2 610 950 088	LABEL		1
150	1	2 610 950 089	SCREW		1
151	1	2 610 950 090	INSERT		1
152	4	2 610 950 091	SET SCREW		1
153	1	2 610 996 911	HOLDING SPRING	11	1
154	1	2 610 950 092	PROTECTIVE COVER		2
157	1	2 610 950 093	SAFETY DEVICE		2
169	1	2 610 950 094	CAP		1
170	1	2 610 950 095	HANDLE		1
171	1	2 610 950 096	PIN		1
172	2	2 610 950 097	PIN		1
173	1	2 610 996 890	LEVER	10	1
174	1	2 610 996 889	CAM	24	1
175	1	2 610 997 289	PIN	10	1
176	1	2 610 950 098	CLAMPING PLATE		1
177	2	2 610 997 288	PIN	18	1
178	1	2 610 950 099	HOUSING		1
179	2	2 610 997 249	SHOULDER SCREW	10	1
180	1	2 610 950 100	CLAMPING PLATE		1

181	1	2 610 997 810	WARNING PLATE		1
182	2	2 610 950 101	PAD		1
183	1	2 610 950 102	BRACKET		1
184	1	2 610 950 103	SCREW		1
185	1	2 610 950 104	ROD		1
186	1	2 610 950 105	PIN		1
187	1	2 610 996 888	SPRING	11	1
188	1	2 610 950 106	MITRE FENCE		1
189	4	2 610 358 802	WASHER	11	1
190	1	2 610 950 107	HOUSING		1
191	1	2 610 996 886	LOCKING LEVER	11	1
192	1	2 610 997 292	PIN	11	1
193	1	2 610 996 885	CLAMPING PLATE	17	1
194	1	2 610 997 240	CLAMPING PIECE	12	1
195	2	2 610 997 293	SCREW	10	1
196	1	2 610 997 245	ADJUSTING SCREW	13	1
197	1	2 610 911 920	RUBBER BUSHING	10	3
198	1	2 610 998 551	HEXAGON SOCKET SCREW KEY	13	3
199	1	2 610 998 580	SCREW	10	2
200	5	2 610 950 108	SCREW		1
201	4	2 610 992 380	SPRING RETAINING RING	10	2
202	1	2 610 997 817	STICKER	15	1
203	1	2 610 358 932	CONNECTOR	11	2
204	2	2 610 950 109	WASHER		2
205	2	2 610 950 110	SCREW		3
206	6	2 610 950 111	SCREW		1
207	2	2 610 911 939	CABLE CLIP	10	2
208	1	2 610 998 593	SPRING	10	1
209	1	2 610 912 589	PLAIN WASHER	10	2
210	1	2 610 950 112	SLIDE		3
211	1	2 610 950 113	KNOB		3
212	3	2 610 950 114	WASHER		3
213	1	2 610 950 115	SPRING		3
214	1	2 610 950 116	LINKAGE		1
215	2	2 610 937 291	MOUNTING BRACKET	14	1
216	1	2 610 937 292	GUIDE PIN	11	1
217	4	2 610 937 293	RETAINING RING	10	1
218	4	2 610 950 117	SCREW		3
219	1	2 610 950 389	WASHER		3
220	4	2 610 950 118	SCREW		3
221	1	2 610 950 119	SCREW		1
222	2	2 610 950 120	SET SCREW		2
223	1	2 610 950 121	PLATE		1
224	1	2 610 950 122	SCREW		1
225	1	2 610 950 123	SCREW		1
226	2	2 610 950 124	SCREW		1
227	4	2 610 950 125	SCREW		1
228	1	2 610 950 126	MOUNTING BRACKET		1
229	1	2 610 950 127	MOUNTING BRACKET		1
230	1	2 610 950 128	PLATE		3
231	2	2 610 945 488	SCREW		3
232	1	2 610 950 129	WASHER		3
233	1	2 610 950 130	HOUSING		3
234	13	2 610 950 131	SCREW		3
235	1	2 610 950 081	DIGITAL DISPLAY		1
236	2	2 610 950 132	SCREW		3
237	2	2 610 950 133	SCREW		1
238	1	2 610 950 134	SCREW		1
239	2	2 610 950 135	WASHER		1
240	1	2 610 950 136	MOUNTING BRACKET		1
241	1	2 610 950 137	MOUNTING BRACKET		1
242	2	2 610 950 138	RUBBER BUSHING		1
243	4	2 610 950 139	SCREW		1

3-001 L13 010
Stand 13240 / 07-07-10

Fig / Abb. 3



Änderungen vorbehalten
Modifications reserved
Modificacoes reservadas
Modificacions reservadas