

**For Service Assistance  
Phone Toll Free  
1-800-433-0708**



*Quality, Innovation, Solutions*

# **17-Gallon Low-Profile Portable Oil Drain**

**Model JDI-PLP17  
Owner's Manual**



151 Snyder Ave.

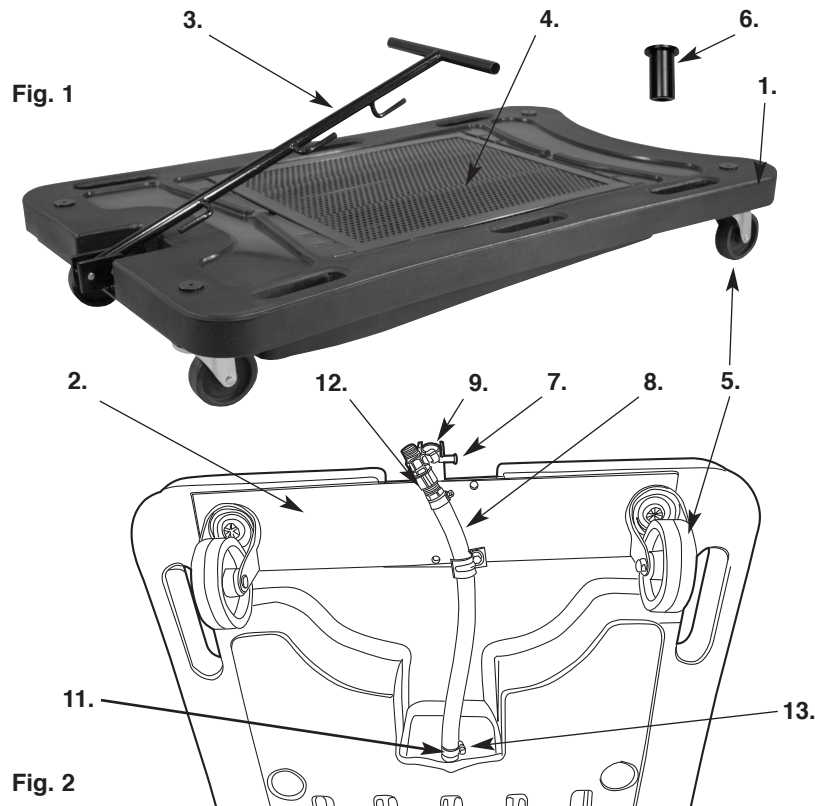
Barberton, OH 44203

REV 11/16

## PARTS LIST

Item No.	Description	Qty.
1.	Low Profile reservoir	1
2.	Mounting Plate	1
3.	Handle	1
4.	Filter Screen	1
5.	Casters	4
6.	Caster Nuts	4
7.	Clevis Pin	2
8.	Drain Hose	1
9.	Ball Valve	1
10.	Hose Clip	1
11.	3/8" Barbed Hose Fitting	1
12.	1/2" x 3/8" Barbed Hose Fitting	1
13.	Hose Clamp	2

Remove all parts from and check against the parts list.  
If anything is missing call TECHNICAL SERVICE at 1-800-433-0708.



## ASSEMBLY INSTRUCTIONS

1. Attach rear casters using caster nuts. (See Fig. 3)
2. Attach front mounting plate and casters using the caster nuts. Position mounting plate as shown in Fig. 2 using the caster and caster nut to secure it in place.
3. Attach one end of the drain hose to the 3/8" barbed fitting on the drain body. Use a hose clamp to secure.
4. Attach the 1/2" x 3/8" barbed hose fitting to the other end of the hose - securing with a hose clamp.
5. Attach the 1/2" ball valve fitting on the end of the hose.
6. Secure the hose to the mounting plate using the hose clip, nut and bolt.
7. Attach the handle to the mounting plate using a clevis pin. (See Fig. 4)
8. Insert a clevis pin into the second hole behind the handle. (See Fig. 3). This serves as a handle stop.
9. Position the filler screen over the open tank reservoir.

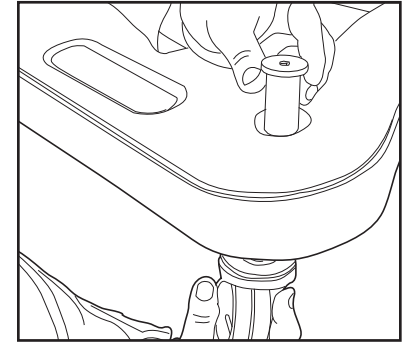


Fig. 3

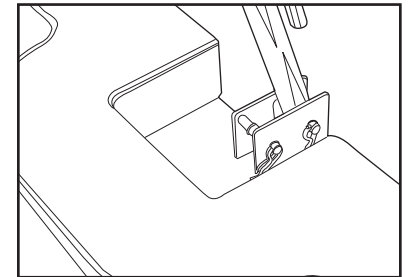


Fig. 4

## OPERATING INSTRUCTIONS

1. Make sure the ball valve on the end of the drain hose is in the closed position.
2. Position the drain under the vehicle being serviced.
3. To empty the drain - position the drain hose over the used fluid container and open the ball valve.
4. When empty - close the ball valve.

## SAFETY & MAINTENANCE

**DO NOT OVERFILL - Maximum capacity is 17 gallons.**

**DO NOT USE THE FLAMMABLE LIQUIDS.**

**USE EYE PROTECTION TO PREVENT PERSONAL INJURY.**

**Keep the drain port clear of grease and dirt.**

**Optional Electric Pump is not self lubricating.**

**DO NOT RUN PUMP DRY.**