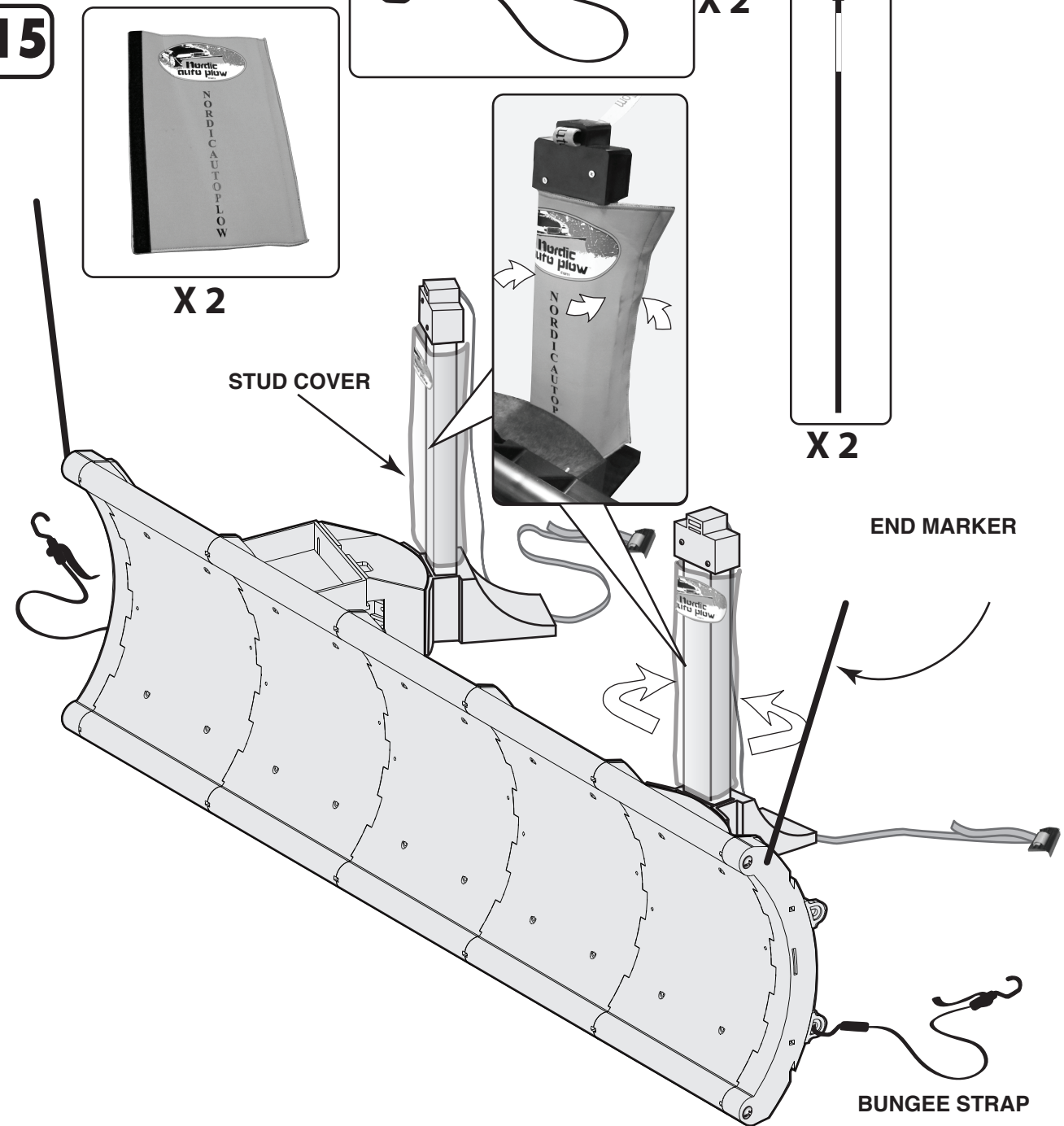


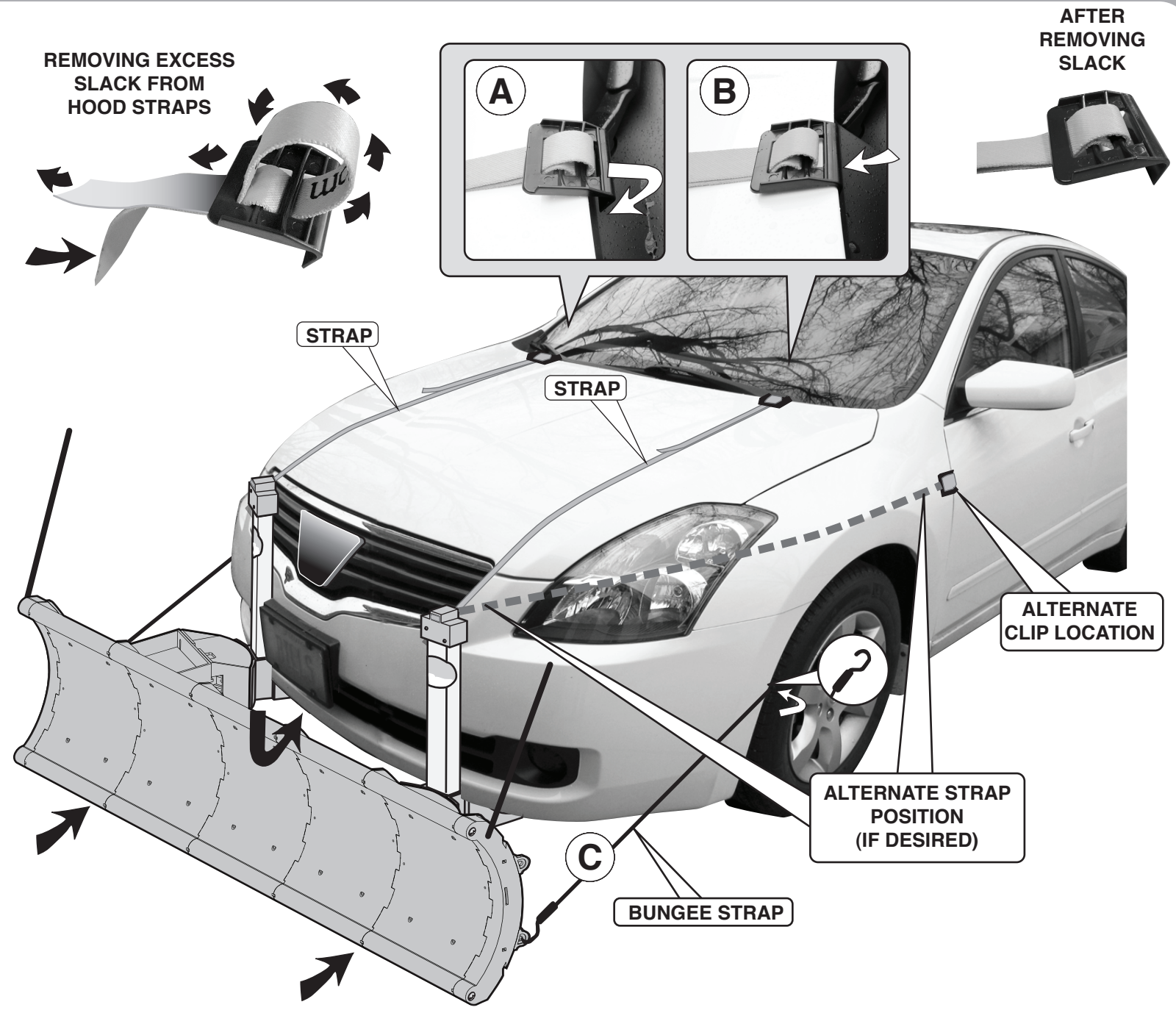


15



Keep the **Nordic Auto Plow logo** facing forward. Wrap the (2) **Stud Covers** around the studs tightly and secure with the attached Velcro strips. Attach **End Markers** in the slots provided. Attach the **Bungee Straps** as shown above.

16



Slide the **Nordic Auto Plow** in front of the vehicle. **Cogs** will be underneath the bumper. **Wrapped Studs** should be flush with front of bumper and vertical as shown.

IMPORTANT: HOOD STRAPS MUST BE PROPERLY INSTALLED:

- A** - Adjust **Hood Strap** lengths as necessary so **Hood Clips** will easily clip on the back edge of the hood.
- B** - Remove some of the slack from the **Straps**, but don't over tighten. (*Straps will tighten as snow builds during plowing.*)

NOTE: Alternate Placement Locations for the **Hood Clips** may be the front door openings as shown. (This location may be more suitable for smaller (narrower) vehicles.)

C - **PLEASE READ THE CAUTIONARY TAGS ON THE BUNGEE STRAPS FIRST.** Attach the **Bungee Straps** to the wheel wells or springs on both sides of the vehicle as shown. Adjust each **Bungee Strap** so it will not fall off. **DO NOT STRETCH EXCESSIVELY.** Instructions for attachment to the rear of your car (if preferred) are given in the next step.