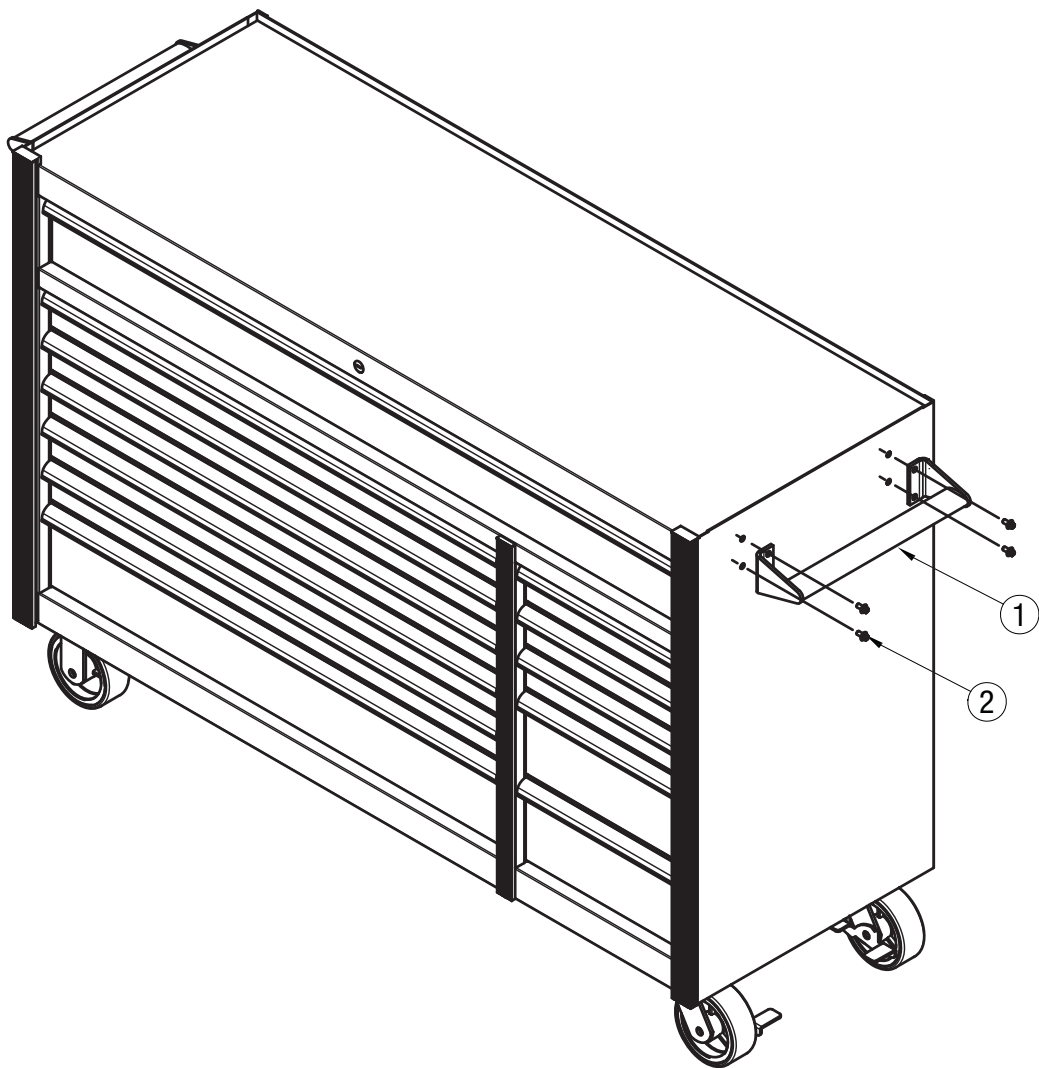


56" 12 Drawer Roller Cabinet

No.	Description	Qty.	No.	Description	Qty.
1	Side Handle	2	2	Bolt M6 x 16	8



Tool needed for Assembly



Wrench (7/16 inch)



SAVE THESE INSTRUCTIONS

This manual contains important safety and operating instructions. Read all instructions and follow them with use of this product.

INSTRUCTION MANUAL

Read and follow all instructions before using this product.

INSPECT this product before use. Do not use the product if you notice loose or damaged parts.

LOAD the cabinet from the bottom up. Failure to load the cabinet from the bottom up may cause the product to tip, which could cause personal injury and product damage.

WEAR approved safety glasses when removing or repositioning the slides. Failure to wear safety glasses may cause personal injury.

DO NOT open more than one drawer at one time. Opening more than one drawer at one time may cause the product to become unstable and tip, which may cause personal injury and product damage.

AVOID placing heavy loads into the cabinet. Placing heavy loads in the cabinet may cause the cabinet to tip and cause injury or product damage. Avoid dropping or bouncing a load. This could temporarily create an excess load and cause product failure.

DO NOT stand on this product. Standing on the product may cause you to fall and cause personal injury.

DO NOT step on the drawers. Stepping on the drawers may cause you to fall and cause personal injury.

DO NOT attempt to lift this product by the side handle using chains, ropes, or other lifting devices. The side handle could fail, which may cause personal injury or damage to the product.

DO NOT mount this product on a truck bed or other moving object. Mounting this product on a truck bed or other moving object may cause personal injury or product damage.

DO NOT tow this product with power equipment. The cabinet could tip, which may cause personal injury or product damage.

DO NOT alter this product in any manner. For example, do not weld external lock bars, or attach electrical equipment to the product. Altering this product may cause personal injury or product damage.

KEEP this product on level surfaces at all times. Failure to keep this product on level surfaces may cause it to become unstable and tip, which may cause personal injury and product damage.

CLOSE and lock the drawers before moving this product. The drawers could open during movement and cause the cabinet to become unstable and tip. Moving the cabinet with unlocked drawers may cause personal injury and property damage.

SPREAD the weight evenly in the drawers. The contents of the drawers could shift and fall out if the weight is not spread evenly. Failure to spread the weight evenly in the drawers may cause personal injury, damage the contents of the drawers, and cause damage to the cabinet.

USE the brakes when the product is not being moved. Failure to use the brakes to stabilize the roller cabinet for use may cause the cabinet to roll and cause personal injury or product damage.

DO NOT allow children to play on or around the cabinet. Failure to keep children from playing on or around the cabinet may cause personal injury or product damage.

THE MAXIMUM LOAD CAPACITY FOR THE TOP TRAY SHOULD BE NO MORE THAN 1100 lb

THE MAXIMUM LOAD CAPACITY FOR THE TOP LARGE DRAWER SHOULD BE NO MORE THAN 200 lb

THE MAXIMUM LOAD CAPACITY FOR THE TOP LEFT FIVE DRAWERS SHOULD BE NO MORE THAN 100 lb EACH

THE MAXIMUM LOAD CAPACITY FOR THE BOTTOM LEFT DRAWER SHOULD BE NO MORE THAN 160 lb

THE MAXIMUM LOAD CAPACITY FOR THE RIGHT FIVE DRAWERS SHOULD BE NO MORE THAN 80 lb EACH

THE MAXIMUM LOAD CAPACITY FOR THE PRODUCT SHOULD BE NO MORE THAN 2360 lb