

TYPHOON

SLANT WALL EXHAUST FAN



NOTE: Read ALL instructions over carefully before attempting to assemble and install the Typhoon series.

If you have any questions please call your local dealer or
J&D Manufacturing at: 1-800-998-2398.
 Or visit our website at: www.jdmfg.com

WARRANTY

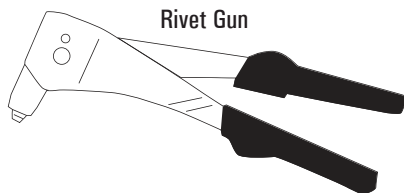
J&D Mfg warrants all products are free from defects in materials and workmanship under normal use for the period of one year from date of purchase and our warranty does not cover normal or regular wear and tear. J&D Mfg can repair or replace at our option, any product or part of the product that is found to be defective. Our warranty applies to materials only and does not include return freight, delivery, loss or damage to personal property, cost of removal or installation, any incidental or consequential damages or labor. This warranty does not apply to products which are misused, abused, altered, improperly installed or subject to negligence. All warranties must be approved through our warranty department. The original purchaser must present a copy of the invoice for the defective product. One year is our standard warranty unless specified on our literature or in the installation instructions/user manuals.

RECOMMENDED TOOLS FOR ASSEMBLY (NOT PROVIDED)

Safety Glasses

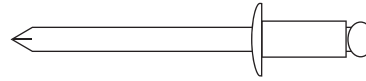


Rivet Gun

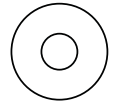


INCLUDED ASSEMBLY HARDWARE - TO SCALE

(8) 3/16" x 1/4"
Aluminium Rivet

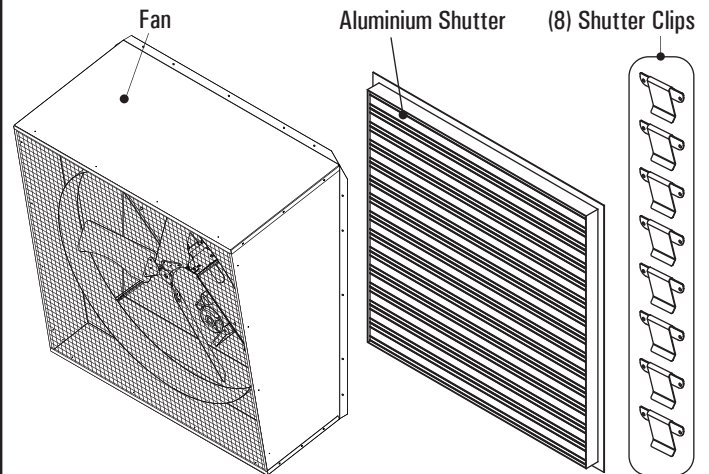


(8) 3/16"ID x 1/2"OD
Backup Washer



INSTALLATION HARDWARE IS NOT PROVIDED

PARTS LEGEND



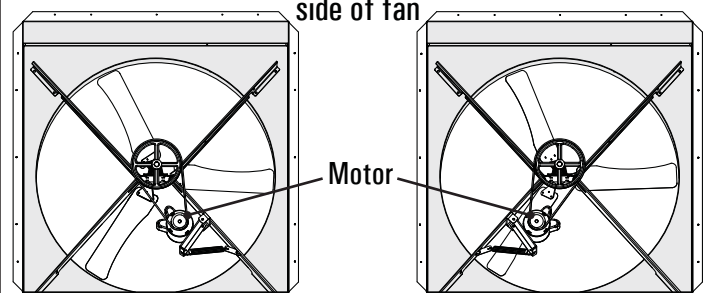
ROUGH OPENING

Fan Size	Rough Opening Width x Height*	Shutter Size
24"	31 1/4" x 32"	30" x 30"
30"	37" x 38"	36" x 36"
36"	41" x 42"	40" x 40"
42"	49 1/2" x 50 1/2"	48" x 48"
48"	55 1/2" x 56 1/2"	54" x 54"
50"	55 1/2" x 56 1/2"	54" x 54"

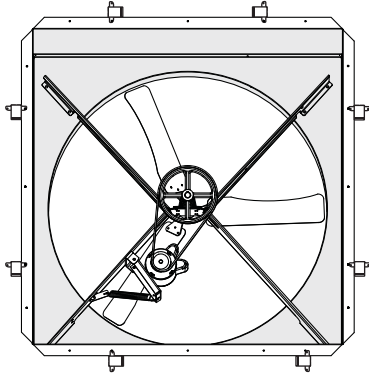
***NOTE:** Rough opening height is based upon a 6" wall thickness. For walls of 1 1/2" or less, subtract 1" from the height measurements.

Correct orientation of fan. From the inlet side, the motor will be located below and to the left or to the right of the shaft, depending on your model.

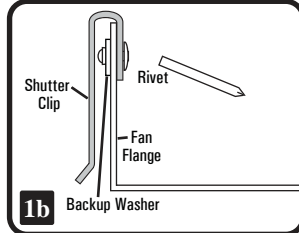
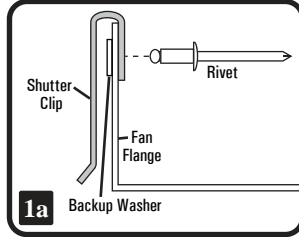
View from inlet side of fan



Attach all (8) shutter clips with a rivet gun using (8) 3/16" rivets and (8) 3/16" backup washers. Review the illustrations below for placement and assembly.



1



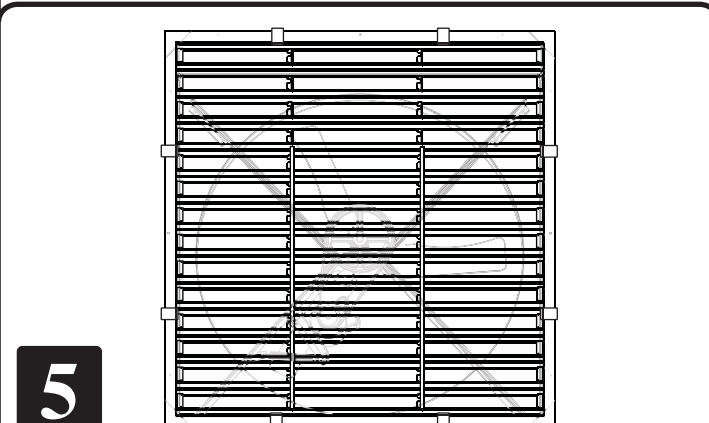
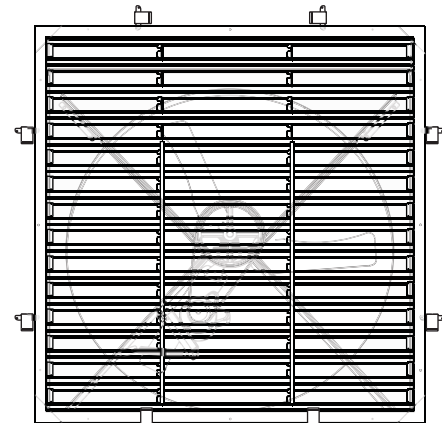
ALL ELECTRICAL WORK SHOULD BE COMPLETED BY QUALIFIED PERSONNEL AND MEET NATIONAL, REGIONAL AND LOCAL CODES

Connecting power to the unit.

- Install manual disconnect inside building adjacent to fan.
- Route wire to motor with drip loop and secure. Drip loop will drain accumulated moisture away from the motor.
- Configure internal wires to match supply voltage and wire according to motor nameplate. Test to verify correct rotation.
- Shut off manual disconnect for remainder of install. Only permit power to unit when shutter and guard is fully installed to prevent injury.

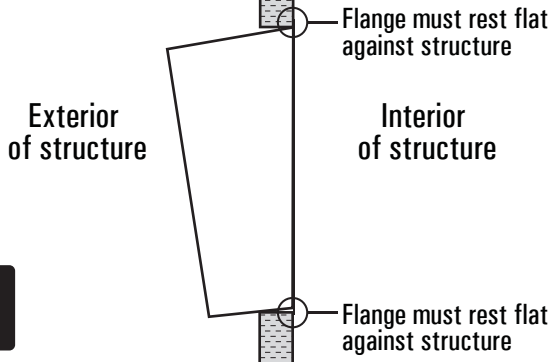
4

Swivel top and side shutter clips open. Set bottom shutter flange between housing flange and bottom shutter clips. Secure shutter by swiveling top and side shutter clips over shutter flange.



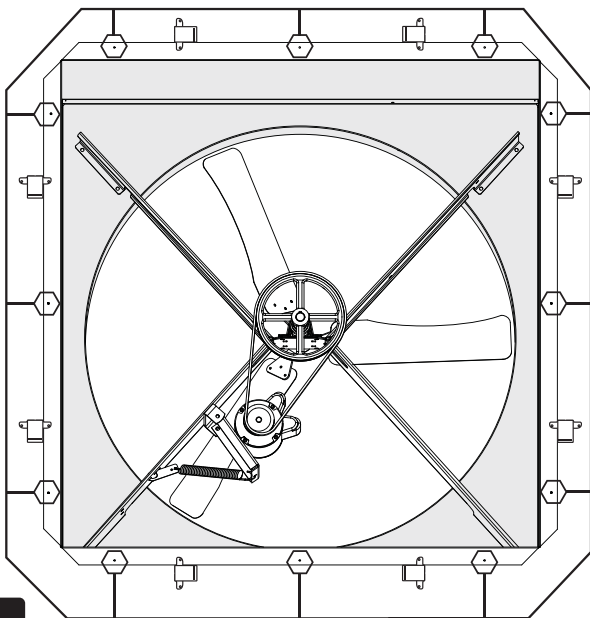
5

Lift and tilt fan body as you insert fan into the rough opening. Fan is fully inserted when flange rests flat against structure as shown below.



2

Center the fan body in wall opening. Using the holes indicated, secure fan to framework with (12) fasteners (not provided) suitable for your structure.



3

Use (12) fasteners (not provided) suitable for your structure.