



## GENERAL OPERATION

1. Attach your TrunkPump® to 3-point hitch of tractor and secure in place.
2. Attach PTO shaft securely to tractor power take-off and TrunkPump® power input.
3. Raise your TrunkPump® up as high as it will go
4. Unscrew the top fill plug and Fill your TrunkPump® with water BEFORE you use it. Screw the fill plug back on hand tight. *Never run your TrunkPump® dry.*
5. Keep the TrunkPump® raised during transport to keep as much water in it as possible
6. Once you are in place, engage parking brake. Attach the suction hose with strainer and place it in water. Always use the strainer to keep out debris.
7. Make sure your strainer is in the deepest water and laying flat. Any air will cause your TrunkPump® not to prime properly.
8. Unroll the discharge hose and place it where you want the water to go.
9. Engage the Tractor's PTO as you lower the TrunkPump® to parallel.
10. Increase the throttle and raise the engine's RPM's to full throttle.
11. Pinch the discharge hose as shown. This will help your TrunkPump® to prime faster.
12. Hold the hose until you feel enough pressure for the hose to pop out of your hands
13. Decrease the throttle to about 80%. Note. (As the water level gets low, decrease the throttle so your Trunk-Pump can keep pumping without getting any air. Going slow near the end allows the water to move towards the strainer)
14. When you are done, raise your TrunkPump® all the way up BEFORE you turn off the PTO. (this keeps water in your TrunkPump to stay primed if you need to move to another pumping location.)
15. Roll up discharge hose and place back on the frame. Note. (You may need to loosen the top fill plug and let a little air out to be able to roll up your discharge hose)
16. When you are finished using your TrunkPump®, remove the bottom plug and the top fill plug and rinse out with clean water. This cleans out any sediment.



1a



1b



2



3



4



6



11



## SAFETY WARNINGS



- Operators of the TrunkPump® should read and understand all directions, precautions and warnings in TrunkPump® manual and Pacer®/Hypro®/AMT® Pump manual before operating equipment.
  - Avoid putting hands near belt or PTO shaft while tractor is running, failure to do so can result in serious injury.
    - Keep pulley guard in place during operation.
    - Always use a strainer to keep out large debris.
      - DO NOT PUMP FLAMMABLE LIQUIDS.
    - Grease PTO shaft at recommended intervals.

### GENERAL MAINTENANCE

#### **BELT: BX22 or BX26 or BX30 (BX cogged belts are recommended)**

- Check belt at regular intervals. Replace if damaged or severely worn.
- Be sure your belts are properly tensioned.

The adjustment is made by loosening the bolts on the pump base, prying the pump (or tightening adjustment bolt) in the adjustment slots, then tightening the bolts down again. Use of a nut locking solution might be helpful if you have an especially rough running machine. Over tensioning will cause undue wear on the bearings, while an overly loose belt will slip. Find the middle ground. The belt should give about 1/2" under medium pressure. An adjustment may be needed after initial pump use as the belt will expand slightly under operational temperature and will seat itself in the pulley.

#### **INTERNAL PUMP PARTS:**

- If diminished performance is noticed, replace gaskets, o-rings and/or impeller and volute according to repair kit instructions.

#### **PTO SHAFT**

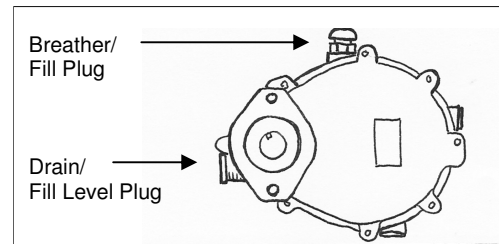
- Grease PTO shaft at recommended intervals (see PTO shaft for maintenance schedule)

#### **GEARBOX**

- The initial oil should be changed after 50 hours of use then approximately every 1000 hours or once a year.
- Oil type:

Ambient Temperature	ISO VG Grade	AGMA No.	SAE Gear Oil
-5 F to 60 F	150	4EP	75W-90
40 F to 120 F	220	5EP	85W-140

- Tilt unit on side to drain via drain plug located near output shaft.
- Return to upright position, leave drain plug out and fill unit via breather port until oil comes out drain plug - Approximately 15 fluid ounces / .4 liters
- Secure drain plug and breather following oil change.
- Dispose of used oil responsibly.



### HELPFUL TIPS

- With TrunkPump® raised, Fill with water before use.
- Never run pump dry.
- Transport TrunkPump® in raised position to keep as much water in unit as possible.
- Always use a strainer to keep out debris and extend pump life.
- Use the shortest suction hose possible to get the pump to prime as fast as possible.
- For quick priming, use full throttle - then reduce rpms to 80% when flow is established.
- In shallow water, idle down to allow sufficient volume of water to feed suction line.
- Keep all guards in place during operation and avoid contact with moving parts.
- Disconnect TrunkPump® from tractor and PTO when servicing.
- Be sure all hose gaskets are in place and Teflon tape has been used on pump fittings.
- Read and follow instructions in PACER®/Hypro®/AMT® and TRUNKPUMP® manuals.



## TROUBLESHOOTING GUIDE:

My TrunkPump® won't pump...

- Are the two drain plugs securely screwed in place?
- Did you make sure all belts were tensioned and hoses were properly attached complete with gaskets? Are your hoses watertight? The smallest leak will make your pump difficult to prime.
- Did you engage the PTO immediately after dipping the trunk?
- Did you fill the unit with water before you attempted pumping?
- Did you check for any obstructions or clogs in the system?
- If the pump was not level, water may have drained from the unit, fully raise Trunk Pump and add more water.
- Check for pressure build-up in discharge hose... if pressure is building up, the pump is priming the suction line and should be moving water soon.

My TrunkPump® doesn't seem as efficient as it used to be...

- If you have had the pump for a while and it has been pumping abrasive materials, it may necessary to replace the gaskets and/or the impeller and volute (for repair kits, *see your local TrunkPump® dealer*). Installing these parts annually would be a good maintenance practice.

## FREQUENTLY ASKED QUESTIONS:

What kind of **hoses and fittings** does my TrunkPump® use?

- *Suction hose should be a reinforced 3" PVC hose (usually green) with a female camlock fitting and a threaded hose barb. Discharge hose should be a 3" PVC lay flat 3" hose (usually blue) with female camlock fitting and either an open end or male camlock fitting on the other. NOTE: You'll need to find a hose and rubber supply company for these items, hardware stores and home improvement centers normally do not carry these products.*

Can I use longer hoses if I need to?

- *Yes, a longer suction hose can be used so long as you don't exceed the vertical pumping capacity of the pump (25 feet of head). NOTE: A longer suction hose will likely need to be detached for transport. And long discharge hoses can run for hundreds of feet.*

I want a TrunkPump® "PUMP" shirt, what do I do?

- *Contact us at [info@trunkpump.com](mailto:info@trunkpump.com) or 910-463-1282 and for a few bucks we'll update your wardrobe with the latest in PUMP-wear.*

What size **belts** should I use on my TrunkPump®?

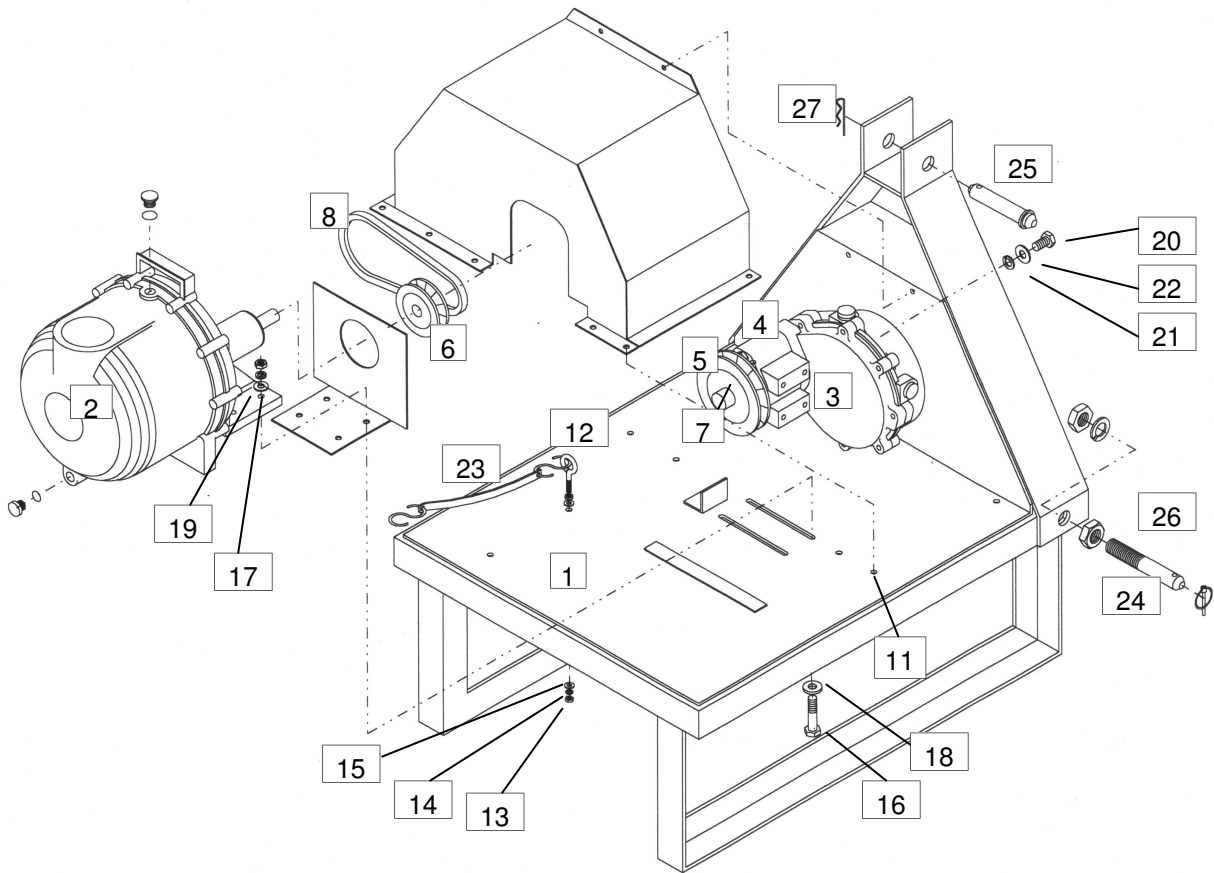
- *See under General Maintenance section.*

**Disclaimer:** All information contained in this manual is assumed to be accurate at the time of distribution. TrunkPump reserves the right to revise this publication and to make changes in it from time to time without obligation of TrunkPump to notify any person or organization of such revisions or changes.

### WARRANTY INFORMATION

TrunkPump® warrants its products to be free from defects of material and workmanship for a period of one year (12 months) from date of purchase. Wearable items (Hoses, fittings, strainer(s), gaskets and seals) will carry a limited 3 month (90 days) warranty. The company warrants that its products will be free of defects of material and workmanship for normal use and service. This warranty will not apply or be extended to products subjected to misuse, neglect, accident, or improper installation, or to maintenance of products which have been altered or repaired by anyone except TrunkPump® or its authorized representatives. The buyer, or any person receiving such a product during the duration of the warranty, shall contact a TrunkPump® dealer as soon as any defect occurs. Contact TrunkPump® for the name and address of your nearest dealer.

# TrunkPump®



1	Frame (complete unit)	1
2	Pedestal Pump	1
3	Gearbox	1
4	OHLA (N/A)	1
5	BK62 or 2BK80 Pulley	1
6	BK34 or 2BK45 Pulley	1
7	1/4" Key	1
8	BX26 or BX30 Belt	1
9	3/8"-16 x 3.75" bolt	2
10	3/8"-1/2" sleeve	2
11	1/4"-20 bolt	8
12	Eye Bolt	2
13	1/4"-20 nut	10
14	1/4" washers	20
15	1/4" lockwasher	10
16	3/8"-16 bolt	4
17	3/8"-16 nut	4
18	3/8" washer	10
19	3/8" lockwasher	6
20	M12 bolt	4
21	M12 washer	4
22	M12 Lockwasher	4
23	Bungee Strap w/ s-hooks	1
24	Lift arm pins w/hardware	2
25	toplink pin	1
26	linch pins for lift arm pins	2
27	linch pin for top link	1
28	Safety Stickers	3
29	TrunkPump Stickers	1 set