

STRONGWAY®

OIL HOSE REEL KIT

OWNER'S MANUAL



WARNING: Read carefully and understand all INSTRUCTIONS before operating. Failure to follow the safety rules and other basic safety precautions may result in serious personal injury.

Item # 28533

Thank you very much for choosing a Strongway Product! For future reference, please complete the owner's record below:

Model: _____ Purchase Date: _____

Save the receipt, warranty and these instructions. It is important that you read the entire manual to become familiar with this product before you begin using it.

This machine is designed for certain applications only. The distributor cannot be responsible for issues arising from modification. We strongly recommend this machine is not modified and/or used for any application other than that for which it was designed. If you have any questions relative to a particular application, DO NOT use the machine until you have first contacted distributor to determine if it can or should be performed on the product.

For technical questions, please call **1-800-222-5381**.

⚠ WARNING: Read carefully and understand all INSTRUCTIONS before operating. Failure to follow the safety rules and other basic safety precautions may result in serious personal injury. Save these instructions in a safe place and on hand so that they can be read when required. Keep these instructions to assist in future servicing.

TECHNICAL SPECIFICATIONS

Model	28533
HOSE REEL:	
Inlet/ Outlet connection	1/2in.
Max. pressure	2000 PSI
Hose capacity	1/2in.I.D. x 50ft.
DIGITAL OIL CONTROL VALVE:	
Inlet connection	1/2in.
Flow rate	0.3-9.2 GPM
Operating pressure range	7-1500 PSI
Max. operation temperature	140°F
Precision	±0.5%
Power source	one 3.6V ER14250 battery

GENERAL SAFETY REGULATIONS

⚠ WARNING: Read and understand all instructions.

⚠ WARNING: The warnings, cautions, and instructions discussed in this instruction manual cannot cover all possible conditions or situations that could occur. It must be understood by the operator that common sense and caution are factors that cannot be built into this product, but must be supplied by the operator.

- 1. Keep the work area clean and dry.** Damp or wet work areas can result in injury.
- 2. Keep children away from work area.** Do not allow children to handle this product.
- 3. Store idle equipment.** When not in use, tools and equipment should be stored in a dry location to inhibit rust. Always lock up tools and equipment, and keep out of reach of children.

4. Use the right tool for the job. Do not attempt to force small equipment to do the work of larger industrial equipment. There are certain applications for which this equipment was designed. It will do the job better and more safely at the capacity for which it was intended. Do not modify this equipment, and do not use this equipment for a purpose for which it was not intended.

5. Use proper eye protection when assembling and using the kit.


6. Check for damaged parts. Before using this product, carefully check that it will operate properly and perform its intended function. Check for damaged parts and any other conditions that may affect the operation of this product. Replace damaged or worn parts immediately.


7. Do not overreach. Keep proper footing and balance at all times to prevent tripping, falling, back injury, etc.

8. DO NOT use the equipment when tired or under the influence of drugs, alcohol, or medication. A moment of inattention while operating this equipment may result in serious personal injury.

9. Industrial applications must follow OSHA requirements.

SPECIFIC OPERATION WARNINGS

 **WARNING:** To prevent personal injury, perform Pressure Relief Procedure before and after operating the control valve and before performing any disassembly or assembly.

 **WARNING:** No complying with below requests will result in severe harm to your body even death.

1. EQUIPMENT MISUSE HAZARD: Equipment misuse can cause the equipment to rupture or malfunction and result in serious injury.

- Only trained or authorized people should operate this kit.
- Read all instruction manuals, tags, and labels before you operate this equipment.
- Use the equipment only for its intended purpose. If you are not sure, call the distributor.
- Do not modify this equipment. If you need to replace the parts, use the standard parts or components.
- Check equipment daily. Repair or replace worn or damaged parts immediately.
- Do not exceed the maximum working pressure of the lowest rated system component. This equipment has a 1500 PSI maximum working pressure.
- Make sure all application comply with local, state, and national fire, electrical, and safety regulations.
- Use fluids and solvents that are compatible with the equipment wetted parts. Refer to the Technical Data section of all equipment manuals. Read the fluid and solvent manufacturer's warnings.
- Do not move or lift the equipment when the control valve is in use.
- The operation environment must be fireproof, safety electric use and other security assured.

2. SKIN INJECTION HAZARD: Fluid from the control valve, leaks, or ruptured components can splash into your body, eyes or skin, which may cause extremely serious injury. If this happens, ask for medical help immediately.

- Do not point the dispensing valve at anyone or at any part of the body.
- Do not stop or deflect leaks with your hand, body, glove or rag.
- Do not use oil that has been polluted.
- Do not put your hand or fingers over the fitting coupler.
- Follow the **Pressure Relief Procedure** in the **OPERATION INSTRUCTIONS** section if the oil fitting coupler clogs and before you clean or service this equipment.
- Before each use, make sure that all connections are properly installed. Tighten all fluid connections before operating the equipment.

- Check the hoses, tubes, and couplings daily. Replace worn or damaged parts immediately. Do not repair high-pressure couplings. You must replace the entire hose.

INSTALLATION

Typical installation refers to Fig.1.



Fig. 1

NOTE: The above typical installation is only for reference. It may be different from your actual system design.

⚠ WARNING: If this is a new installation, or if the oil in the lines is contaminated, flush the lines before you install the kit. No impurities or contaminant are allowed to enter the kit.

⚠ WARNING: To reduce the risk of serious injury, the pressure release should be concerned. Please follow the **Pressure Relief Procedure** in **OPERATION INSTRUCTIONS** section for the release process.

⚠ WARNING: To reduce the risk of static sparking, effectively ground all of this equipment.

NOTE: Use oil resistant pipe sealant or Teflon® Tape on all fitting threads.

1. INSTALLATION OF HOSE REEL

⚠ WARNING: Before mounting the hose reel, ensure that the supply line pressure does not exceed the maximum working pressure of the hose reel.

Unpack and inspect reel for damage. Turn by hand to check for smooth operation. Check for completeness. Position the reel on the floor, wall or ceiling. Secure into place using four mounting bolts (NOT INCLUDED). See Fig. 2.

NOTE: Depending on where the reel is placed, it may be necessary to adjust the hose bumper and guide arm to use the hose properly. See the instructions on the next page to adjust the hose bumper and reposition the guide arm.

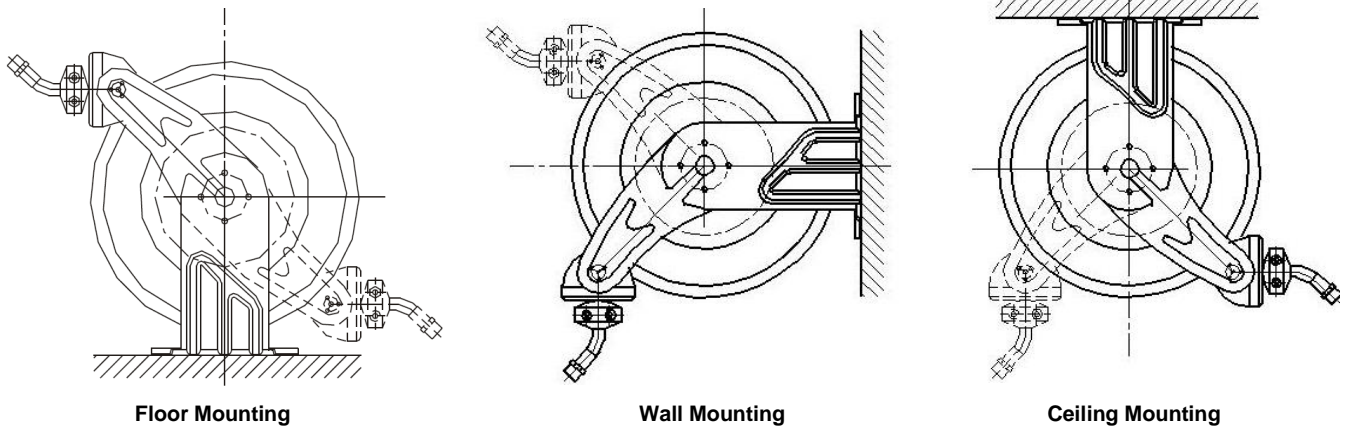


Fig. 2

2. INSTALLATION OF DROP TRAY

Use one or two bolts and nuts (NOT INCLUDED) to secure the drop tray.

3. INSTALLATION OF CONTROL VALVE

- ①. Apply appropriate thread sealant around the male thread of flexible spout, and then screw the flexible spout to the meter.
- ②. Assemble the rubber cover to the meter.
- ③. Apply appropriate thread sealant around the male thread of hose reel, then connect the male thread into the female thread of oil inlet of the control valve, and fix them together.
- ④. Turn on all check valves of oil system.
- ⑤. Press the trigger to drain enough oil to make sure the oil system is completely cleaned. See “OPERATION INSTRUCTIONS” section for the control valve operation.

NOTE: To ensure the meter accuracy, purge all air out from the fluid lines and control valve before using them.

OPERATION INSTRUCTIONS

⚠ WARNING:

- **Never operate the meter with the plastic cover removed.** The cover protects the meter from damage due to impact. Meters are sealed in the factory to keep moisture and dirt away.
- Flush the lines before you install this equipment in the system to prevent line contamination, or it can cause equipment to malfunction or be damaged.
- To reduce the risk of a serious bodily injury, including fluid injection, never exceed the maximum working pressure of the kit you are using or of the lowest rated component in your system.

1. PRESSURE RELIEF PROCEDURE

⚠ **WARNING: Skin injection hazard:** The equipment stays pressurized until pressure is manually relieved. To reduce the risk of serious injury from pressurized fluid, fluid from the valve or splashing fluid, follow this procedure whenever you:

- Are instructed to relieve pressure
- Check, clean or service any system equipment
- Install or clean dispensing devices

(1) Pressure relief procedure

- ①. Turn off the air supply to the pump.

- ②. Hold a metal part of the control valve firmly to a grounded metal waste container and point the valve outlet toward the waste container, then trigger the control valve to relieve the fluid pressure.
- ③. Open any bleed-type master air valves and fluid drain valves in the system.
- ④. Leave the drain valve open until you are ready to pressurize the system.

(2) Clean the obstruction in the oil system, when any of the following cases occurs:

- ①. Problem on control valve, flexible hose, rigid tube or manual/auto tip.
- ②. Pressure cannot be relieved completely after above procedures are done.
- ③. It takes more than 5 seconds to relieve the pressure thoroughly.

2. OPERATION

 **WARNING:** Follow the instructions in **PRESSURE RELIEF PROCEDURE** before each operation.

- ①. Check reel for correct operation by slowly pulling out the hose. A “clicking” noise will be heard every half revolution of the drum.
- ②. To latch the reel, pull out the hose and allow it to retract after hearing the first second or third “click”.
- ③. To unlatch, slowly pull out the hose until the “clicking” noise stops, then let the hose retract until the hose stop rests against the hose guide. Note: To avoid damage to the reel, always hold on to the hose while it is rewinding.
- ④. Grab the trigger (part# 1-4 of control valve) gently, and then the control valve starts to work.
- ⑤. Keep the trigger lock (part# 1-3 of control valve) squeezed and depress the trigger lock (part# 1-3 of control valve) to keep the control valve on.
- ⑥. Disengage the trigger lock (part# 1-3 of control valve) and release the trigger lock (part# 1-3 of control valve) to stop dispensing.
- ⑦. Place the control valve through the hook of drop tray and let the oil drip to the poly tray.

3. ADJUSTMENTS FOR HOSE REEL

(1) Adjusting spring tension

If necessary, adjust spring tension on reel by adding or removing wraps of hose from spool, one wrap at a time, until desired tension is obtained.

- ①. Pull out the hose until the latch pawl is engaged.
- ②. Loosen the stopper (part# 46 of hose reel), then add wraps or decrease the wraps. Add wraps to increase tension. Remove wraps to decrease tension.
- ③. Tighten the stopper (part# 46 of hose reel), and adjust stopper position if necessary.

CAUTION: Do not exceed the winding mechanism’s spring capacity when adding wraps of hose. Add just enough wraps of hose to achieve the desired tension. The winding mechanism will be damaged if spring is over-tensioned.

(2) Adjusting the hose bumper

- ①. Pull out the hose until the latch pawl is engaged.
- ②. The stopper (part# 46 of hose reel) can be adjusted by loosening the slotted screws. Slide the stopper to the desired position and tighten the screws before pulling hose to disengage the latch pawl.

(3) Removing and positioning guide arm

According to each mounting application, recommend Guide Arm positions.

- ①. Pull out hose until the latch pawl is engaged.
- ②. Remove stopper (part# 46 of hose reel) by removing the slotted screws.
- ③. Disengage the latch pawl while maintaining a firm hold on spool. Turn the spool hand over hand approximately two or three circles in the direction of the drive spring until tension is removed.

- ④. Remove the nuts and washers holding the guide arm and shift to base.
- ⑤. Rotate the guide arm and adjust it to any of the three positions hinted. See Fig. 3.

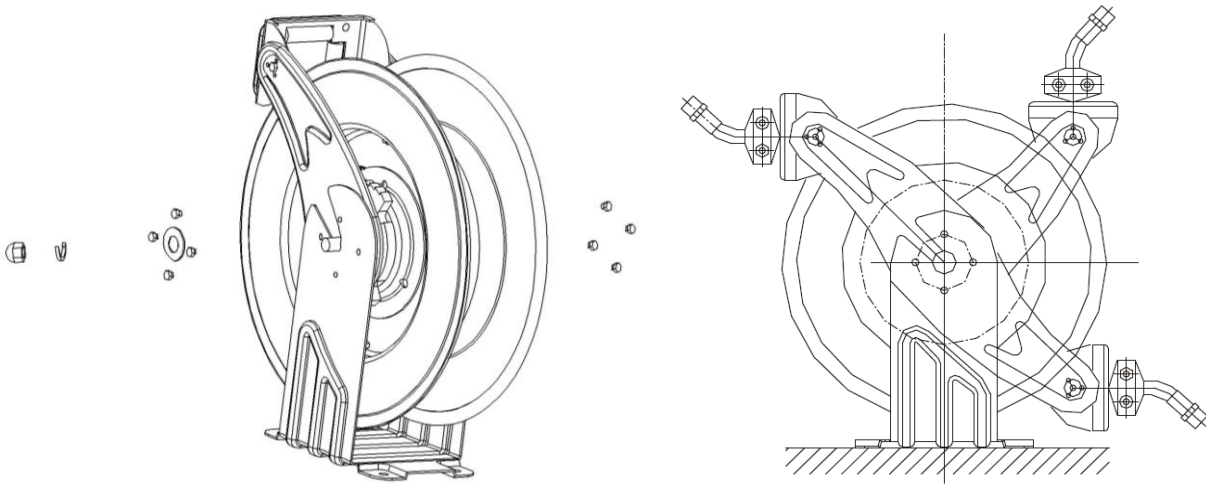


Fig. 3

- ⑥. Replace and tighten the nuts and washers.
- ⑦. Tighten the drive spring by turning the spool two or three circles and engage the latch pawl.
- ⑧. Pull the hose through the roller opening in the guide arm and replace the stopper.

4. OPERATION OF CONTROL VALVE

(1) LCD DISPLAY

INDICATIONS: See the following displaying illustration of the LCD panel.

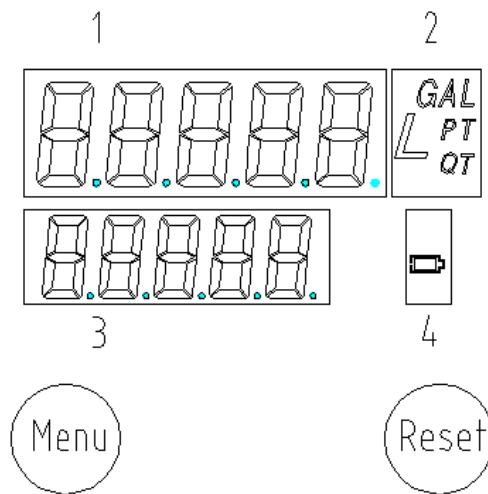


Fig. 4 LCD panel displays region

- ①. Partial register
Measurement exceeds the maximum value will become zero and re-measure.
- ②. Indication of unit of measurement (L, GAL, PT, QT)
- ③. Accumulated total
- ④. Battery condition (Low-power alarm device is built in.)

(2) OPERATIONAL FUNCTIONS

The control valve features two keys (MENU and RESET).

A. Setting measurement unit

Solution 1

- ①. Press "MENU" and "RESET" simultaneously and hold for about 5 seconds to enter the unit set mode.
- ②. Press "RESET" to select the unit.
- ③. When desired measurement unit is displayed, press "MENU" and hold about 1 second or the digit stops blink to quit the setting mode.

Solution 2

- ①. Move the flashing display to Zone ② by pressing "MENU", then press "RESET" to choose measurement unit;
- ②. Press "MENU" over 3 seconds to exit the setting mode.

B. Resetting the accumulated total

Press "MENU" for 10 seconds, the accumulated total will be reset to be "0".

C. Displaying current correction factor

Press "MENU" and "RESET" simultaneously and hold for 2 seconds. The display shows the correction factor.

(3) CALIBRATION PROCEDURE

A. Procedure for entering the correction factor directly

- ①. Wait for the control valve to go to standby.
- ②. Press the "MENU" key. Keep it pressed until the digit flashes in Zone ①. Press the "RESET" key to choose the right digit from 0 to 9. Press the "MENU" key to go the next digit so that the Actual Value can be input.
- ③. Make sure the correction factor is right and then press the "MENU" key. Keep it pressed until calibration is finished and the factor is saved. The control valve will then return to standby.

B. Modify the correction factor in field

- ①. Press the "RESET" for 1 second, Zone ① displays "0.00".
- ②. Start dispensing into a measuring glass.
- ③. Stop dispensing when over 5 liters of volume is reached, then check the actual dispensed value. The volume that is displayed on the LCD is the Display Value, not the Actual Value.
- ④. Press the "MENU" key. Keep it pressed until the digit flashes in Zone ①. Then press the RESET key to choose the right digit from 0 to 9. Press the "MENU" key to go the next digit so that the Actual Value can be input.
- ⑤. Make sure the Actual Value is input right and then press the "MENU" key. Keep it pressed until calibration is finished and the factor is saved. The meter will then return to standby.

(4) BATTERY REPLACEMENT

If Voltage is too low, low-power alarm device will be activated and light flashes in Zone ④.

When the LCD panel displays nothing or light flashes in Zone ④, the battery should be replaced. Follow the steps below to replace new battery.

- ①. Open the battery cover (part# 3-11) with a flat screwdriver.
- ②. Remove the old battery. Discard the battery in accordance with local laws and ordinances.
- ③. Insert a 3.6V ER14250 battery into the battery compartment. Install the battery according to the direction of polarity "+" & "-" indicated and insert the end of anode "+" first.
- ④. Place back the battery cover (part# 3-11).

TROUBLE SHOOTING

 **WARNING: Relieve pressure before you check or service any system equipment.**

Problem	Possible Cause	Corrective Action
Slow or no fluid flow	1. Filter is clogged 2. Pump pressure is low	1. Clean or replace the filter (part# 1-13 of control valve)

	3. Shut-off valve is not fully open 4. Foreign material is jammed in the metering element	2. Relief the pressure 3. Fully open the shut-off valve 4. Loosen swivel fitting (part# 1-1 of control valve), and clean up foreign material
Oil leaks from swivel	1. Swivel is loose 2. O-ring is worn or damaged	1. Tighten the swivel (part# 1-1 of control valve) 2. Replace the o-ring (part# 1-14 of control valve)
Oil drips from nozzle	Nozzle is damaged or obstructed	Inspect the nozzle for damage or obstructions, and replace if damaged
Valve leaks	O-rings or valve seat are worn or damaged	Replace the o-rings (part# 1-5 of control valve) and/or the valve seat (part# 1-10 of control valve)
Leakage from meter	O-ring damaged	1. Get the meter off from the dispense system 2. Take off the Rubber Protector (part# 3-4 of control valve) and Front Label (part# 3-6 of control valve) 3. Remove four the socket head cap screws (part# 3-8 of control valve) on the cover of the meter 4. Remove eight the hex bolts (part# 3-18 of control valve) on the bottom of the meter 5. Take off the seat(part# 3-10 of control valve) 6. Check the o-ring (part# 3-1 of control valve), replacing the o-ring if it is damaged 7. After replacing the o-ring, assemble the meter and fix it back to the dispense system
No display	Battery out of power	Replace the battery
Wrong reading	Wrong correction factor	Follow " CALIBRATION PROCEDURE " for right correction factor

MAINTENANCE

CAUTION: Remove all tension before servicing. Hazards or unsafe practices MAY result in minor personal injury, product or property damage.

⚠ WARNING: Before performing any service, always disconnect and lock out compressed air or fluid, and remove all spring tension. Hazards or unsafe practices COULD result in severe personal injury or death.

⚠ WARNING: User servicing of the reel is limited to replacing input/output hoses only. Refer all other repairs to an authorized service person. Failure to do so can result in personal injury and/or equipment damage and may void the warranty.

Replacing the hose

To remove the hose

- ①. Pull out the hose leaving 2 to 3 feet on the spool. Engage the latch pawl.
- ②. Unthread the hose at the connection to the swivel tube.
- ③. Remove the hose.

To install the hose

- ①. Route the hose through the guide arm rollers and opening of the spool. Apply thread tape or sealant to hose threads.
- ②. Screw hose fitting into threaded fitting on swivel. Tighten connection with a wrench on fitting. Install stopper on working end of hose if required.
- ③. Disengage latch pawl and allow hose to retract.

Replacing the swivel

- ①. If the swivel leak, replace the O-ring or seal (#31) and washer (#30) by removing the lock washer (#40) and the part of the swivel shift.
- ②. If the balls (#37) wear out, replace by removing the lock washer (#40).
- ③. Replace the new seal by clipping the lock washer (#40). Replace the part of the swivel shift by clipping the lock washer (#40).

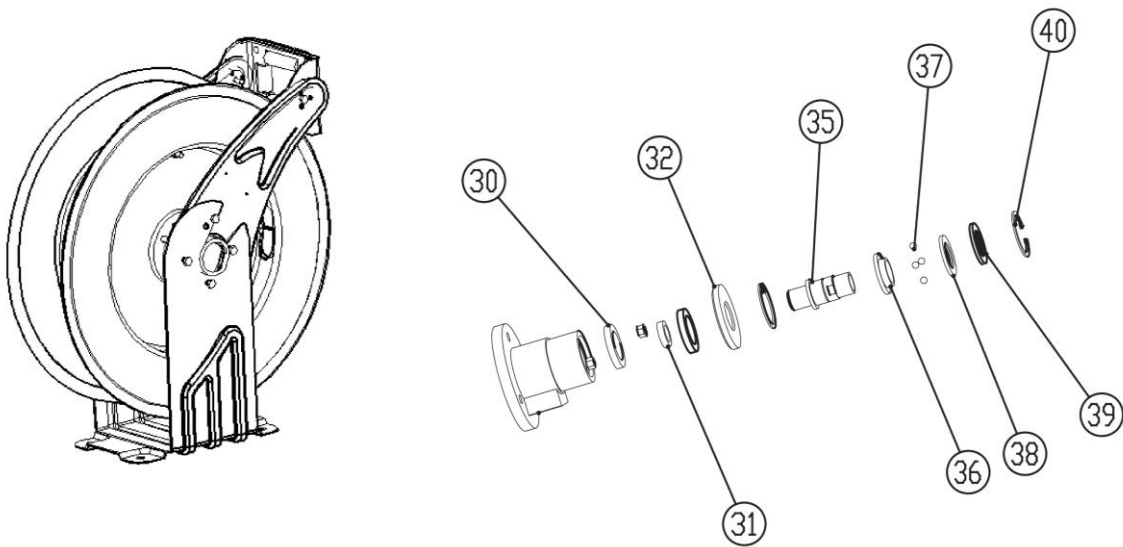


Fig. 5

Transportation

When the control valve is in transit, do not exposure the control valves with direct sunlight and avoid rain, falling, erosive substance, etc.

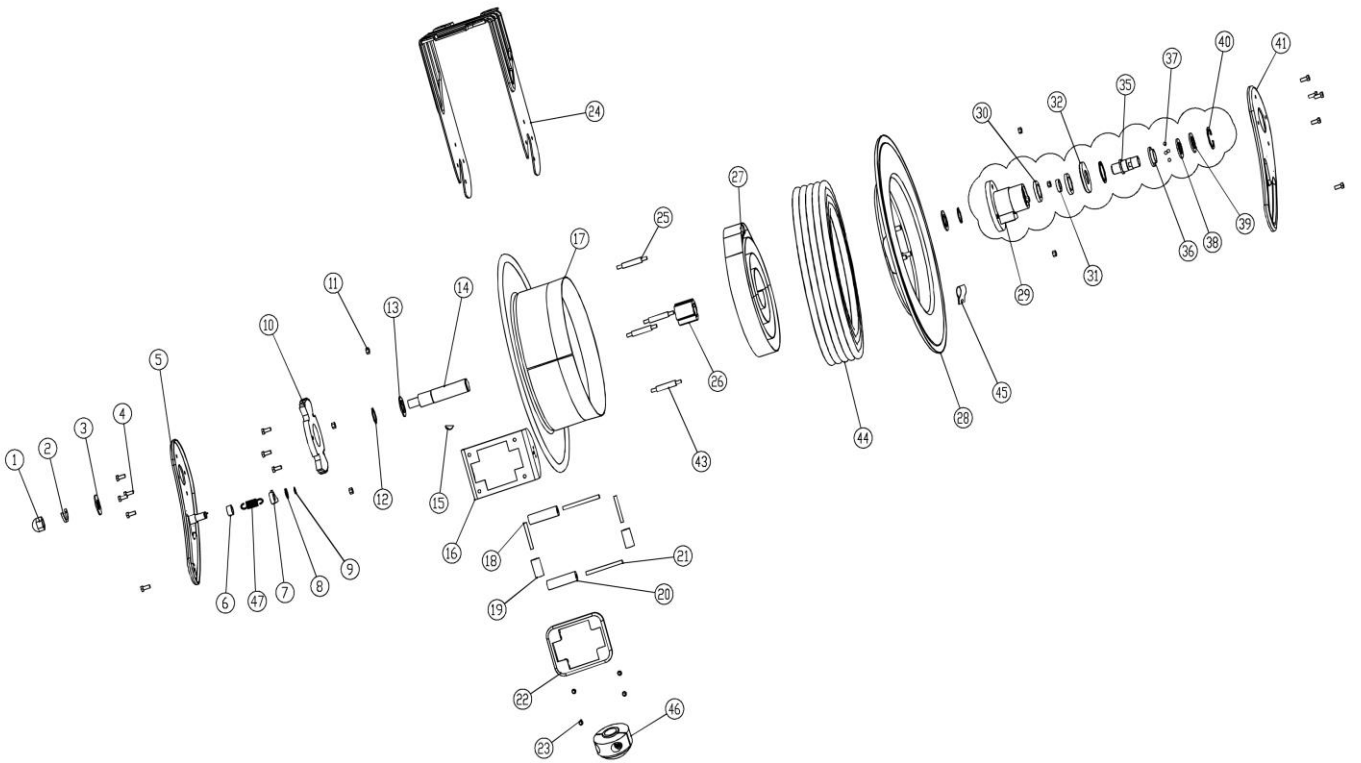
Storage

- ①. Store the control valve in a dry place with good ventilation. Do not expose it to excessive heat, humidity or sunlight. Never let it touch any corrosive substances.
- ②. Store it out of the reach of children.

DIAGRAMS AND PARTS LIST

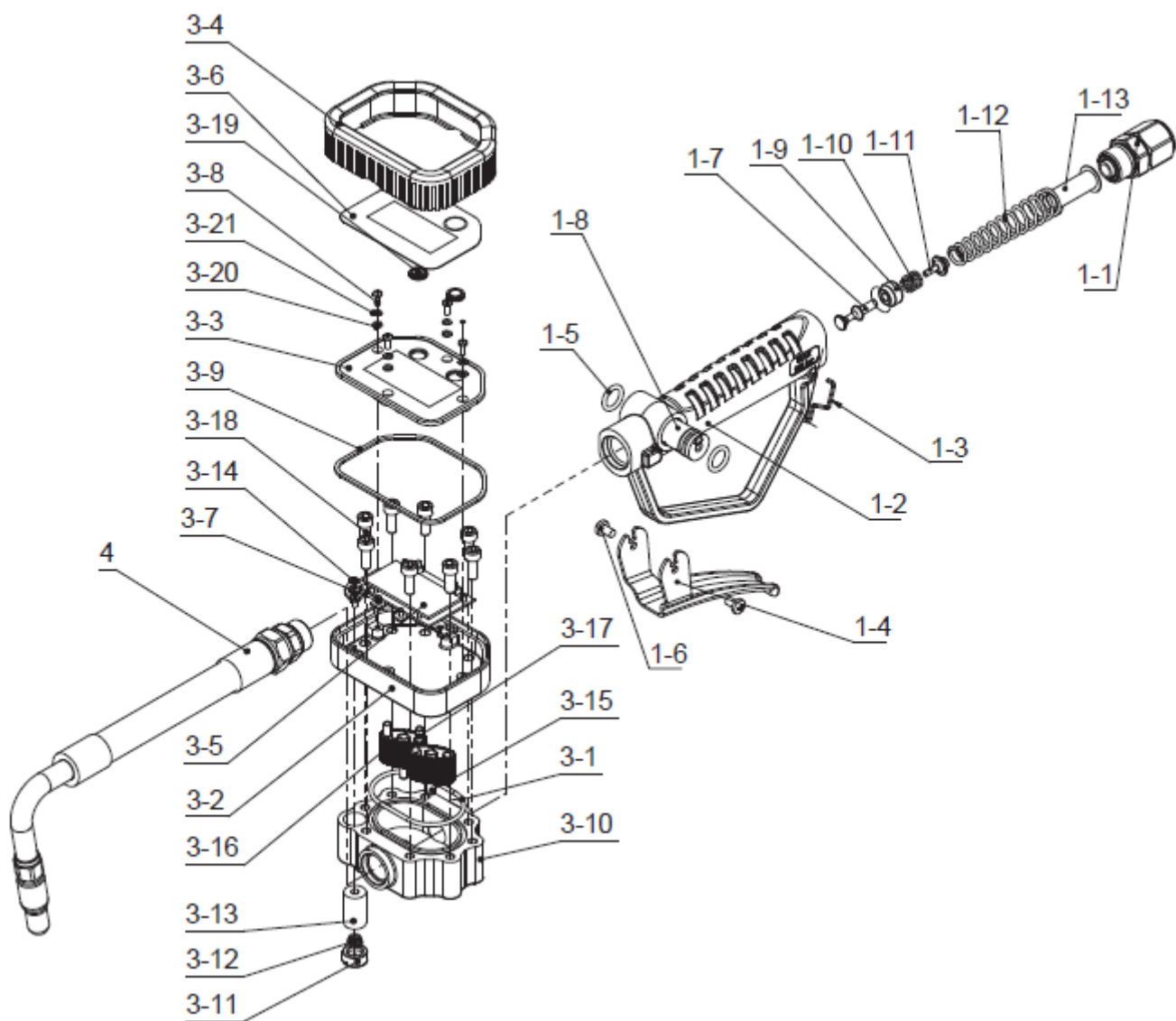


1. M860154 Hose Reel



Part No.	Description	Qty.	Part No.	Description	Qty.
1	Nut	1	23	Bolt	4
2	Spring washer	1	24	Base	1
3	Washer	2	25	Double bolt	3
4	Bolt	9	26	Spring core	1
5	Bracket arm	1	27	Spring	1
6	Washer	1	28	Drum	1
7	Ratchet	1	29	Swivel shaft	1
8	Washer	1	30	Washer	2
9	Lock washer	1	31	O-ring or seal	1
10	Click pulley	1	32	Washer	1
11	Nut	8	35	Swivel shaft	1
12	Lock washer	2	36	Bearing cover	1
13	Washer	4	37	Ball bearing	17
14	Shaft	1	38	Bearing washer	1
15	Key	1	39	Washer	1
16	Guide sub-plate	1	40	Lock washer	2
17	Drum	1	41	Bracket arm	1
18	Roller axle	2	43	Double bolt	1
19	Roller	2	44	Hose assembly	1
20	Roller	2	45	Clamp	1
21	Roller axle	2	46	Stopper assembly	1
22	Guide plate	1	47	Ratchet spring	1

2. 18123522 Digital Oil Control Valve



Part No.	Description	Qty.	Part No.	Description	Qty.
1-1	Swivel	1	3-5	Main Circuit Board	1
1-2	Handle	1	3-6	Front Label	1
1-3	Trigger lock	1	3-7	Screw	4
1-4	Trigger	1	3-8	Screw	4
1-5*	O-ring	2	3-9*	O-ring	1
1-6	Screw	2	3-10	Seat	1
1-7*	Rod	1	3-11	Battery cover	11
1-8	Cam	1	3-12	Spring	1
1-9*	Seat	1	3-13*	Battery	1
1-10	Spring	1	3-14	Screw	2
1-11	Seat	1	3-15	Shaft	2
1-12	Spring	1	3-16	Oval Gear	2
1-13*	Filter	1	3-17	Magnetic Rod	2
2	Adapter	1	3-18	Bolt	8
3-1*	O-ring	1	3-19*	Waterproof protector	2
3-2	Meter Holder	1	3-20*	Seal washer	4

3-3	Meter Cover	1	3-21	Washer	4
3-4	Rubber Protector	1	4	Nozzle with tip	1

Item #4 description:

Part No.	Description
MH10001	Rigid nozzle
MT10002	Flexible nozzle
MT10001	Manual tip
MT10002	Auto tip
MT10003	Semi-auto tip

Wear parts

Part No.	Description	Qty.	Part No.	Description	Qty.
1-5*	O-ring	2	3-9*	O-ring	1
1-9*	Seat	1	3-13*	Battery	1
1-13*	Filter	1	3-19*	Waterproof protector	1
1-4	Trigger	1	3-20*	Seal washer	4
3-1*	O-ring	1			

3. DT10001 Drop tray

Part No.	Description	Qty.
1	Steel stand	1
2	Poly tray	1

For replacement parts and technical questions, please call **1-800-222-5381**.

WARRANTY

Two Years Limited Warranty

STRONGWAY®

Distributed by
Northern Tool + Equipment Co., Inc.
Burnsville, MN 55306
NorthernTool.com
Made in Vietnam