



JACK® Digital HDTV Over-the-Air Antenna w/built-in SureLock® Digital TV Signal Meter

OA8200-White
OA8201-Black

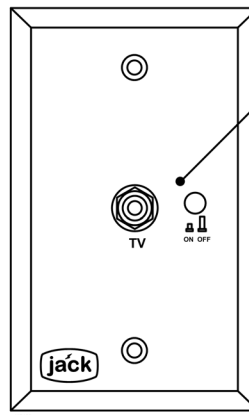
SPECIFICATIONS			
Dimensions:	11.25"H x 16"W x 12.5"L	Powered Amplifier	+12 volt / 100 mA working
Weight:	2.3 lbs.	Power supply:	Wall Mt. Switch (included) • Mfr. # PB1000 - power supply, white
Frequency Bands:	VHF (47-230 Mhz) - 20 db gain UHF (470-860 Mhz) - 25 db gain	Enclosure/Mount:	ASA-Automotive grade
Signal meter			
Frequency Response:	40-862 Mhz (Ch 2-69)		

OPERATION

The Wall Mount Power Injector is a convenient way to switch between your cable feed and over-the-air signals from your JACK antenna.

To use the Power Injector, simply turn the unit on with the ON/OFF button. When on (button depressed), the power light will turn green indicating +12 volts to the antenna, and the over-the-air signal from your JACK antenna will be fed to the two TV outputs.

When off, the cable TV signal will be fed to the two TV outputs if wired for cable TV input.



Power Light: GREEN=ON



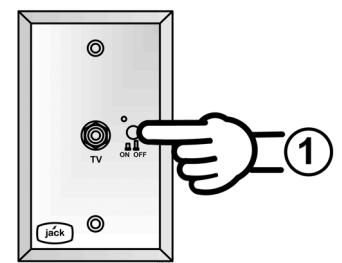
ON: +12 volts sent to antenna and JACK antenna signal is passed to both TV outputs.



OFF: Cable signal is passed to both TV outputs if cable input connected.

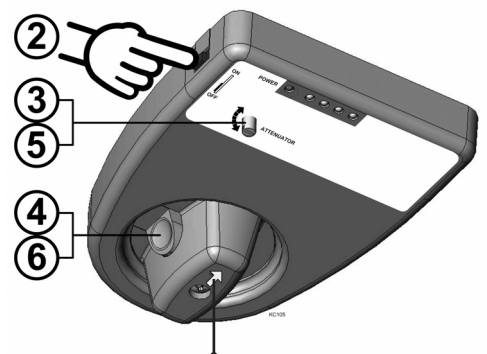
POSITIONING THE ANTENNA

1. Turn on antenna power at wall mount plate.
2. Turn on SureLock Signal Meter power button on side of rotational knob enclosure.
3. Rotate attenuator dial fully clockwise.



Step 4 Note: LED lights will illuminate from left (next to power) to right.
All LED lights may not illuminate depending on signal strength.

4. Depress button on rotational knob and rotate antenna until maximum number of LED lights illuminate on signal meter.
5. Rotate attenuator dial counter clockwise until last illuminated LED light flickers.
6. Rotate antenna to illuminate last flickering LED light.
7. Repeat steps 5 and 6 to pinpoint signal reception.
8. Follow instructions for TV or converter box to scan for available channels.



Note: Arrow on knob indicates which direction antenna is pointing.

OVERVIEW (FIG. 1 & 1-A)

Note: Please read thru the instructions before beginning.

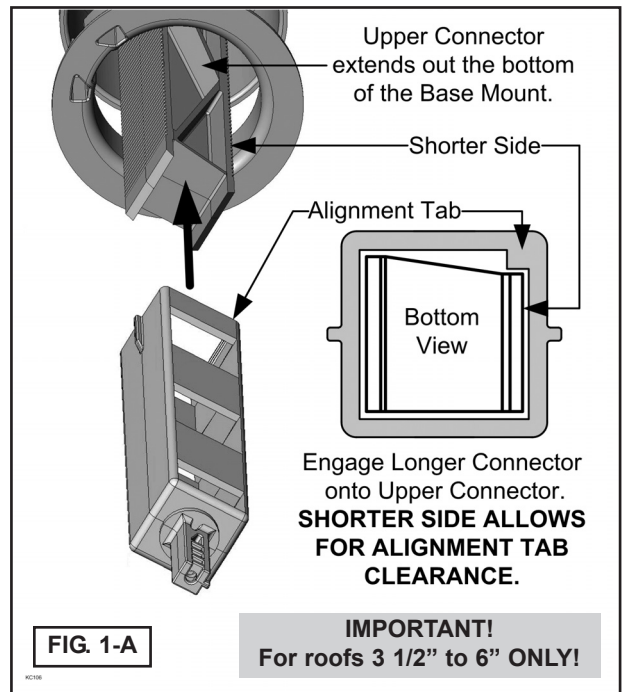
1. Unpack and verify all parts are present.
2. Determine which adjustable connector you need to use:
 Roof thicknesses from 1 1/4" to 3 1/2" use assembly as shipped.
 Roof thicknesses from 3 1/2" to 6" use the longer connector.

IMPORTANT! (Fig. 1-A): If using the longer connector, install it now, BEFORE INSTALLING BASE MOUNT ON ROOF.

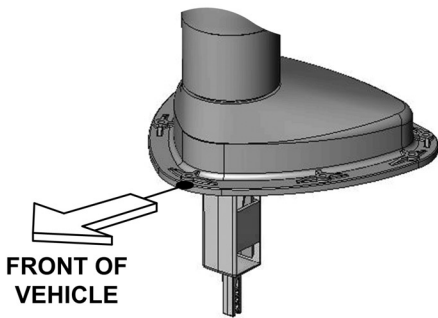
Remove the existing adjustable connector from the upper connector located in the base mount.

Line up the tab with the shorter side as shown at right and engage the longer connector onto the upper connector.

Leave connector sticking out of base mount more than the thickness of the roof.



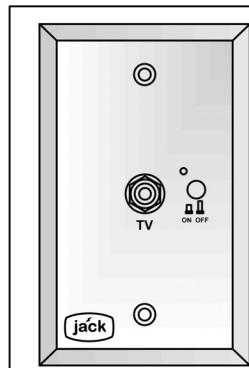
IMPORTANT!
 The point of the base mount must face towards the front of the vehicle.



IMPORTANT!
 There are two lengths of adjustable connectors included.

For roof thicknesses 1 1/4" to 3 1/2" use the assembly as shipped.

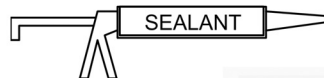
For roof thicknesses 3 1/2" to 6" use the longer connector.



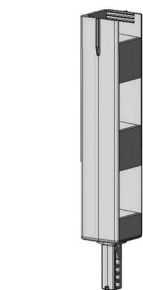
IMPORTANT!
 You must install the included wall mount switch KC# PB1000 to operate the JACK antenna. (See page 5)

NOT SUPPLIED

(8) Fasteners to be determined by installer



Vehicle Roof
 1 3/4" - 2 1/4" Hole



Supplied Optional Longer Connector

FIG. 1

CONTENTS

Wall Mount Switch (see inset below)

Antenna Head

Base Mount

Adjustable Connector

Enclosure Base w/SureLock® Signal Meter

(4) Sheet Metal Screws

Enclosure Cover

Enclosure Decal

Knob with Button

Knob Screw

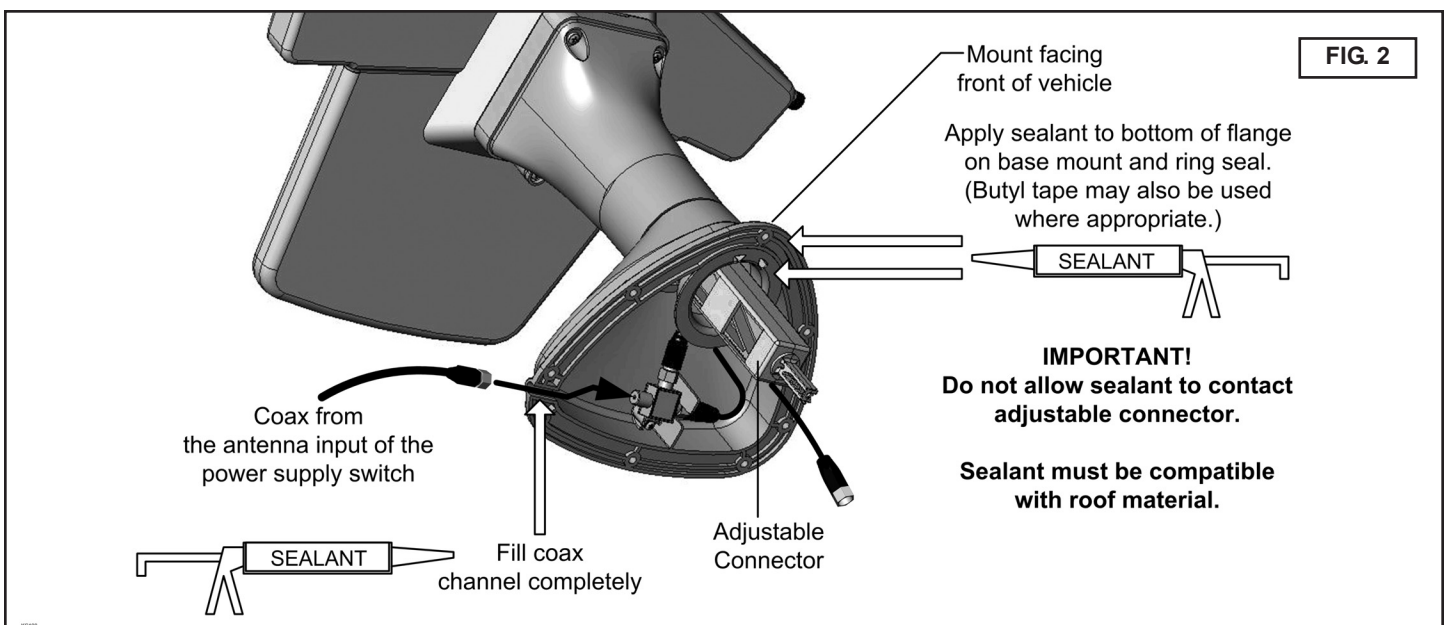
EXTERIOR BASE MOUNT INSTALLATION (FIG. 2)

IMPORTANT! The installer is responsible for determining the most appropriate fastener to secure the base mount to the roof and weatherproofing all holes with sealant. The installer is responsible for sealing all existing holes when replacing an existing antenna mount.

1. Select an area on the roof for the base mount keeping in mind the following **IMPORTANT POINTS**:
 - a) The point of the base mount with the adjustable connector should face the front of the vehicle (Fig. 1).
 - b) The center of the roof hole must be at least 20" away from any object taller than 8" to provide clearance for the antenna head to rotate freely. The center of the roof hole must also be at least 8" from the edge of the roof.
 - c) For roof thicknesses 1 1/4" to 6", the roof pitch can not be more than 3 degrees.
 - d) There must be room on the interior ceiling of the vehicle to attach the rotation knob and enclosure to the adjustable connector. The interior enclosure can be mounted in any direction.
2. Drill a 2" hole **perpendicular to the roof surface** all the way thru the vehicle roof where the adjustable connector will go. (A 1 3/4" hole will work for flat roofs. If roof has a pitch (up to 3 degrees) you may need a larger hole up to 2 1/4".)
3. Inside the vehicle, place the enclosure base over the hole and against the ceiling in the position it will be mounted. Mark the coax hole on the ceiling. Enlarge the **interior roof hole only** at this location to accommodate the coax cable where it will exit the roof and enter the enclosure base (Fig. 3).
4. On the roof of the vehicle, carefully pull out the adjustable connector so it will extend beyond the thickness of the roof when the base mount is installed. It must extend thru the roof to allow installation of interior components. Exact length will be adjusted when interior components are installed.
5. Connect the coax from the antenna input of the power supply switch to the open connection on the splitter in the base mount.

IMPORTANT! In Step 6, ring seal sealant must not get on the adjustable connector.

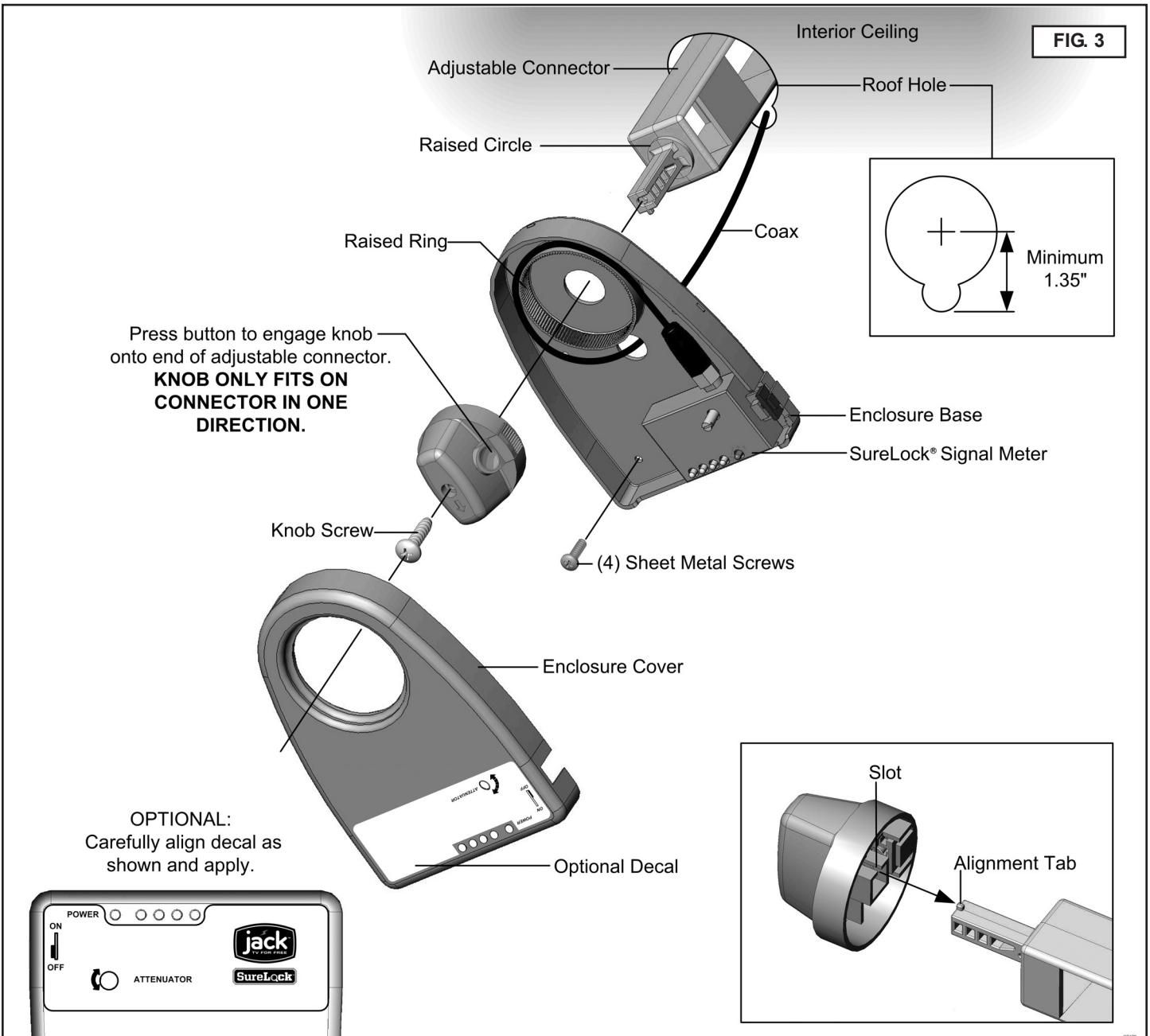
6. Apply sealant to ring seal and base mount, and fill the coax channel with sealant. (Butyl tape may be used in combination with sealant.) Carefully place the base mount in position with the adjustable connector and coax going thru the roof hole and into the interior of the vehicle. **Make sure the point of the base mount with the adjustable connector is pointed towards the front of the vehicle.**
7. Center the adjustable connector in roof hole and fasten the base mount to the roof. Use the mounting holes in the base mount as a guide to install the fasteners (determined by the installer) into the roof. Make sure the base mount is sealed all the way around and the coax channel is fully sealed as well. **ALL EXISTING HOLES MUST BE SEALED!**



INTERIOR ENCLOSURE INSTALLATION (FIG. 3)

IMPORTANT! The rotation knob only fits on the end of the adjustable connector in one direction. SEE INSET BELOW.

1. Press knob button and remove knob from enclosure base.
2. Make sure the coax exits the roof thru the enlarged portion of the roof hole and route the coax thru the coax hole in the enclosure base. Place the enclosure base around the adjustable connector and against ceiling (The enclosure base will seat around the raised circle on the adjustable connector.) Fasten the enclosure to the ceiling with four included screws.
3. Press the knob button and push knob onto the end of the adjustable connector. (**The knob only fits on the end of the adjustable connector in one direction.**) The knob will fit into the raised ring on the enclosure.) Fasten knob to connector with screw.
4. Route the coax around the raised ring as shown and connect the coax to the RF connector on the SureLock signal meter.
5. Optional: If desired, apply the decal to the enclosure cover.
6. Carefully align the cover and snap into place. Make sure not to damage or bend LED lights or pinch the coax cable.

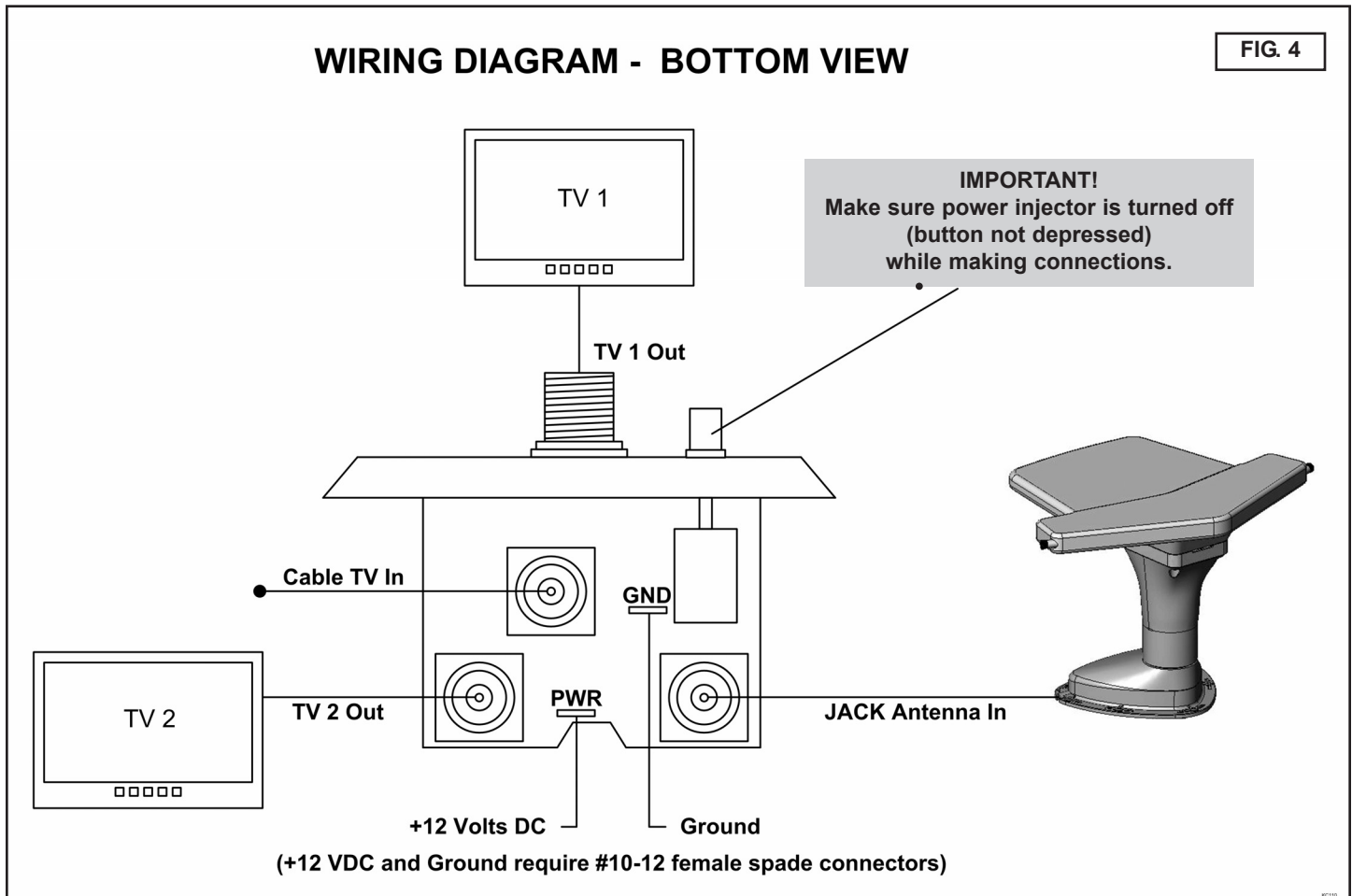


WALL MOUNT POWER SWITCH INSTALLATION (FIG. 4)

The Wall Mount Power Injector:

- Can be mounted in most standard electrical boxes.
- Requires a +12 Volt DC power source.
- Requires #10-12 female spade connectors for power and ground connections.
- Has an internal fuse rated @ 400mA max. If tripped, the fuse will reset when the circuit cools.
- Is not an amplifier. No devices other than those shown below should be connected.

1. Wire the wall mount power switch as shown.



IMPORTANT! Do not power wash any part of the JACK antenna head or base mount.

LIMITED WARRANTY

Every new **JACK** HDTV Antenna System is thoroughly inspected and tested before leaving the factory, and is covered by the following two year parts and one year labor limited warranty from the date of original purchase:

- Two year parts warranty: The customer is not responsible for the cost of replacement parts if the original part is determined to be defective under the terms of the warranty. The customer is responsible for the cost of replacement parts after two years.
- One year labor warranty: The customer is not responsible for labor costs to repair unit if unit falls under the terms of the warranty. Any warranty labor outside of that performed at the factory is not covered unless the product has been installed by an authorized dealer/installer or OEM manufacturer. The customer is responsible for all labor costs after one year.

Should any trouble develop during the warranty period, contact King Controls. You must contact King Controls before the warranty period expires. The customer must supply proof of purchase (such as a dated sales receipt) when requesting warranty service. If customer cannot supply proof of purchase, warranty period shall start 30 days after date of manufacture.

Only King Controls and certified dealers are authorized to perform warranty evaluations and repairs. Depending upon the problem, King Controls may authorize the dealer to perform the necessary repairs, or may have the unit returned to King Controls for repairs.

A certified dealer must not perform any repair without first contacting King Controls for a Service Order Number. King Controls will advise the dealer on how to proceed with any repairs.

If it is determined that the unit needs to be returned to King Controls, customer must return COMPLETE product, freight prepaid, to: **King Controls, 11200 Hampshire Avenue South, Bloomington, MN 55438-2453.**

If inspection shows the trouble is caused by defective workmanship or material, King Controls will repair (or at its option, replace) without charge.

When returning product, King Controls will supply an RMA number (Return Merchandise Authorization). This number must be clearly written on the box. Failure to clearly write RMA number on box may result in delays in processing claim. Along with product, customer should include in the box: his/her name, address, daytime phone number, proof of purchase and description of the problem.

This warranty does not cover installation and external wiring, or remanufactured units. This warranty is not transferable from the original owner.

This warranty also does not apply where:

- The product has been abused, misused, improperly installed or improperly maintained.
- Repairs have been made or attempted by others that are not certified by King Controls to do such repairs.
- Repairs are required because of normal wear and tear.
- Alterations have been made to the product.
- The product enclosure has been opened without authorization.
- Damage has been caused by power washing.
- Circumstances beyond the control of King Controls cause the product to no longer operate correctly.
- Customer is not the original owner.

In no event shall King Controls be liable for any indirect, incidental, or consequential damages from the sale or use of the product. This disclaimer applies both during and after the term of the warranty.

King Controls disclaims liability for any implied warranties, including implied warranties of “merchantability” and “fitness for a specific purpose,” after the one year term of this warranty.

This warranty gives you specific legal rights, and you may also have other rights, which vary from state to state. Some states do not allow the exclusion or limitation of incidental or consequential damages, so the above limitation or exclusion may not apply to you. Some states do not allow limitations on how long an implied warranty lasts, so the above limitation may not apply to you.

King Controls
11200 Hampshire Avenue South, Bloomington, MN 55438-2453
Phone: (952) 922-6889 Fax: (952) 922-8424
www.kingcontrols.com