



OWNER'S MANUAL
MANUEL DE L'UTILISATEUR
MANUAL DEL USUARIO

TCB6800
Tumbling Composter
Composteur à tambour basculant
Tambor compostador oscilante

Tools Required / Outils nécessaires / Herramientas requeridas

- 3/8" and 9/16" Wrench / Clé de 3/8 po et de 9/16 po / Llave de 3/8 pulg. y 9/16 pulg.
- Adjustable Crescent Wrench / Clé à molette réglable / Llave ajustable
- Phillips Screwdriver / Tournevis cruciforme / Destornillador Phillips

⚠ WARNING

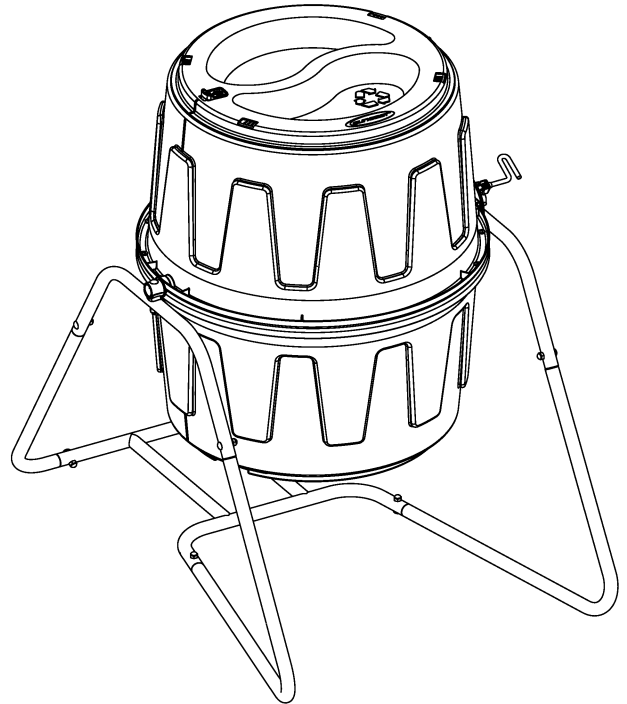
- Do not exceed maximum weight of 60 lbs.
- Not intended for storage of flammable or caustic chemicals.
- Not for mixing concrete.
- Not intended for use by children or pets. To avoid suffocation do not allow children to play inside.
- Repair or replace broken parts immediately.
- Do not sit or stand on frame or barrel.
- Suncast is not responsible for damage caused by weather or misuse.
- Avoid excess heat from any auxiliary source.

⚠ AVERTISSEMENT

- Ne pas excéder un poids maximum de 60 lbs. (27,2 kg).
- Cet article n'a pas été conçu afin de stocker des produits chimiques inflammables ou caustiques.
- Cet article n'a pas été conçu pour mélanger du ciment.
- Cet article ne doit pas être utilisé par des enfants ou des animaux domestiques. Pour éviter tout risque de suffocation, interdire aux enfants de jouer à l'intérieur.
- Réparer ou remplacer immédiatement les pièces endommagées.
- Ne pas s'asseoir ni se tenir debout sur le cadre ou le tambour.
- Suncast décline toute responsabilité en cas de dommages suite à des intempéries ou à une mauvaise utilisation.
- Éviter toute chaleur excessive en provenance d'une source auxiliaire.

⚠ ADVERTENCIA

- No exceda el peso máximo de 60 lbs. (27,2 kg).
- No está diseñado para almacenar productos químicos inflamables o cáusticos.
- No debe usarse para mezclar concreto.
- No está diseñado para que los usen niños ni mascotas. Para evitar la asfixia, no permita que los niños jueguen dentro del tambor.
- Repare o cambia las piezas rotas inmediatamente.
- No se sienta ni se pare sobre la estructura o el tambor.
- Suncast no se responsabiliza por el daño causado por la intemperie o el mal uso.
- Evite el calor excesivo de cualquier fuente auxiliar.



SAFETY AND CARE / SÉCURITÉ ET ENTRETIEN / SEGURIDAD Y CUIDADO

- Use caution when tumbling. Keep pets, children, and other people safely clear of composter.
- Keep hands away from barrel to frame pinch points when tumbling.
- Excessive speed in tumbling may cause injury to user.
- Both lids should be locked before tumbling.
- Lock barrel in upright position after each use.
- Clean barrel and lid with a garden hose after each compost cycle. Do not use cleaning products inside the barrel. The micro-organisms and insects that create compost will perish if exposed to cleaning solutions and fumes.
- Faites attention en basculant le composteur. Ne laissez pas les animaux domestiques, les enfants et toute autre personne se tenir trop près du composteur.
- Tenez les mains à bonne distance du point de traction lors du basculement du composteur.
- Un basculement trop rapide risque de blesser l'utilisateur.
- Les deux couvercles doivent être verrouillés avant de faire basculer.
- Verrouillez le tambour en position verticale après chaque usage.
- Nettoyez le tambour et les couvercles avec un tuyau d'arrosage après chaque cycle de compostage. N'utilisez pas de produits de nettoyage à l'intérieur du tambour. Les micro-organismes et les insectes responsables du compost seront tués s'ils sont exposés à des solutions et des vapeurs de produits de nettoyage.
- Tenga cuidado al momento de oscilar. Mantenga a las mascotas, niños y otras personas alejados del compostador.
- Mantenga las manos alejadas de los puntos de pelliczo del tambor a la estructura al oscilar.
- La velocidad excesiva de oscilamiento puede lesionar al usuario.
- Las dos tapas deben estar aseguradas antes de empezar a oscilar.
- Fije el tambor en posición vertical después de cada uso.
- Limpie el tambor y la tapa con una manguera después de cada ciclo del compostador. No use productos de limpieza dentro del tambor. Los micro-organismos e insectos que crean el abono perecerán si se exponen a soluciones y vapores de limpieza.

WHY COMPOST

Composting At Home - Composting is nature's way of recycling. Living plants, and annual plants that die at the end of the season, are consumed by mammals, birds, rodents, worms, insects, and microscopic organisms. The result of this natural cycle is compost, a combination of digested and undigested food that is left on the forest floor to create rich, soft, sweet-smelling soil.

Backyard composting is the intentional and managed decomposition of organic materials for the production of compost. It's free, easy to make, and environmentally responsible. Compost is the single best additive for good, even great, garden soil.

How Does Composting Help the Environment? - Composting can significantly reduce the amount of solid waste that would otherwise find its way into the trash collection and dumping cycle. Yard trimmings and kitchen scraps make up 20-30% of all household wastes. In the past 15 years, composting has reduced landfill waste by 9 million tons, and it continues to decrease yearly.

Using compost to feed your lawn and garden will reduce your dependency on chemical fertilizers. You'll save money and reduce, if not eliminate, the potential of chemical pollution to your backyard. Using compost, instead of chemical fertilizers, will ensure that your lawn and garden thrive in soil that is alive and healthy.

THE TUMBLING COMPOSTER

The Tumbling Composter is a speed composter with rods or fins that mix and break up clumps to speed up decomposition. Speed composters can reach a temperature of more than 140°. This type of composting requires mixing a correct ratio of "brown" (carbon) and "green" (nitrogen) materials. See KEY COMPONENTS FOR GREAT COMPOST. Add water when necessary and turn the tumbler every 1-2 days to keep oxygen, nutrients, micro-organisms, and moisture evenly distributed throughout the developing batch. Within weeks, your Tumbling Composter will transform your scraps into valuable organic material.

There are two ways you can compost with a tumbler:

- 1. Recommended:** You can batch compost, where you load up the bin until it's full, and then let the whole thing break down until it is completely finished. If you run two tumblers at once, you can start adding to the second tumbler as you wait for the first tumbler to finish up. You'll have much better success if you refrain from adding raw materials to your batch of working compost, and simply start a new batch with new raw materials.
- 2.** You can continuously compost, where you keep adding more and more material so that the new material is mixed in with the material that's breaking down. If you want to use continuous composting with a tumbler, you can stop adding when it approaches fullness, and let the last part of the contents break down, and then start over.

KEY COMPONENTS FOR GREAT COMPOST

Biological Process - What happens in a compost pile? If you are just trying composting for the first time, you may be surprised by the size and complexity of the community of small organisms that take up residence in your compost pile. These organisms, which include many insects, bugs, slugs, bacteria, and fungi, form what is called a "food web." Adding a small amount of garden soil to your compost will serve as a starter/activator. The micro-organisms in the soil will accelerate the formation of the "community" and speed up decomposition.

All members of the compost food web are very beneficial to your compost and should be left alone to do their work. If you remove any of the member organisms through the use of insecticides, you will interfere with their natural cycle, as well as contaminate your compost with insecticide residues.

Ingredients - There are four basic ingredients for composting: nitrogen, carbon, water and air. The water and air are easy. The food is a little more complex. Food consists of two classes of materials, simply referred to as "greens" and "browns". "Green" and "brown" doesn't refer to the color of the materials, it's just shorthand for saying nitrogen-rich or carbon-rich. "Green" is high in nitrogen and "brown" is high in carbon. The "green" materials provide protein for the micro bugs, while the "brown" materials provide energy. Anything growing in your yard is potential food for these microbes. Simply layer and mix these materials into the Tumbling Composter. Add water and tumble to add air. Then leave it to the microorganisms, which will break down the material over time.

Nitrogen / Carbon Ratio - The ideal mix is 75% "brown" and 25% "green" material by volume. A good mix of "browns" and "greens" helps the pile maintain the right amount of moisture and air, thus speeding up decomposition. Too much nitrogen makes for a heavy, smelly, slowly decomposing mass. If in doubt, add more carbon!

Nitrogen - "Green" materials such as lawn clippings, green leaves, manures, and landscape trimmings are ideal sources of nitrogen for composting. Food scraps such as vegetable and fruit trimmings and peels can also provide nitrogen. For kitchen wastes, keep a large plastic container with a lid and a handle under the sink. Chop up any large chunks before you toss them in. When the container is full, empty it into the composter.

Carbon - "Brown" yard and garden material such as dry leaves, twigs, or hay provide carbon balance and give compost its light, fluffy body. The best source of carbon material is dry leaves. Harvesting, shredding, and storing dry leaves for next year's compost pile is the best thing you can do to create great compost. If your mix is too wet or contains too much nitrogen, add dry leaves.

See BASIC NITROGEN / CARBON CHART for more detailed information.

Water - One of the most common mistakes in composting is letting the mixture get too dry. Your compost should be as moist as a wrung-out sponge. A moisture content of 40-60% is preferable. To test for adequate moisture, reach into your compost tumbler and grab a handful of material and squeeze it; if a few drops of water come out, it probably has enough moisture, if it doesn't, add water. It is best to insert a hose into the mixture so that you aren't just wetting the top. Excess water will drain out through the ventilation openings. Keep it moist, but not wet.

Air - The bacteria and fungus that are in your compost pile need oxygen to live and work. If your pile is too dense or becomes too wet, the air supply to the inside is cut off and the beneficial organisms die. Decomposition will slow and an offensive odor may arise. To avoid this and speed the process, turn the tumbler every 1-2 days. This is also a good time to add shredded leaves from your stash. Opening the lid for a few hours can also help remove excess moisture.

Just remember that all organic material breaks down. Even if you just toss your yard debris into a hole in the ground, it will eventually turn into compost. It's not the end of the world if you take a step in the wrong direction. See TROUBLESHOOTING for more detailed information.

NOTE: Particle size has a lot to do with the speed of decomposition. The more surface area the microorganisms have to work on, the faster the materials decompose. Chop or shred the larger materials into smaller pieces. If you don't have a shredder for your dry leaves and small twigs, try running the lawn mower over them before you add them to the pile.

BASIC NITROGEN / CARBON CHART

Material	Carbon/Nitrogen	Info
Table scraps	Nitrogen	Add with dry carbon items.
Fruit & vegetable scraps	Nitrogen	Add with dry carbon items.
Chicken/rabbit manure	Nitrogen	Excellent compost 'activator', use in moderation.
Coffee grounds	Nitrogen	Filters may also be included.
Tea leaves	Nitrogen	Loose or in bags.
Grass clippings	Nitrogen	Add in thin layers so they don't mat into clumps and putrefy.
Garden plants	Nitrogen	Use disease-free plants only.
Lawn & garden weeds	Nitrogen	Only use weeds which have not gone to seed.
Flowers, cuttings	Nitrogen	Chop up any long woody stems.
Seaweed and kelp	Nitrogen	Rinse first; good source for trace minerals.
Eggshells	Neutral	Best when crushed.
Leaves	Carbon	Leaves break down faster when shredded.
Straw or hay	Carbon	Straw is best; hay (with seeds) is less ideal.
Pine needles	Carbon	Acidic; use in moderate amounts.
Wood ash	Carbon	Only use ash from clean materials; sprinkle lightly.
Cardboard	Carbon	Shred material to avoid matting.
Corn cobs, stalks	Carbon	Slow to decompose; best if chopped up.
Dryer lint	Carbon	Best if from natural fibers.
Wood chips	Carbon	High carbon content can overwhelm, and shut down, an otherwise good compost batch; use sparingly.
Sawdust	Carbon	High carbon content can overwhelm, and shut down, an otherwise good compost batch; use sparingly. Be sure sawdust is clean, with no machine oil or chain oil residues from cutting equipment. Do not use sawdust from painted or treated lumber.

Do Not Add These Ingredients To Your Compost Pile:

- **Meat, fish, animal fats and bones** - These foods ferment or putrefy, cause odors, and can attract flies, rodents and nocturnal animals that can be pests.
- **Fatty foods such as dairy products, sauces, salad dressing, and cooking oil** - These foods ferment or putrefy, cause odors, and can attract flies, rodents and nocturnal animals that can be pests.
- **Shredded newspapers or office paper** – Recycle them instead. The paper very likely contains chemicals that are not good for your compost.
- **Ashes from your BBQ grill** – Wood ashes can be very useful in small quantities. But, never put BBQ grill ashes into your compost pile.
- **Dog and cat feces** – Too much risk of adding nasty diseases, not to mention the unpleasant odor! Chicken, horse, cow, and rabbit manure is fine, in moderation.
- **Perennial weeds that have gone to seed or diseased plants** - They can be spread with the compost.
- **Cooked or canned foods that contain salt** - Salt kills the organisms composting your waste.
- **Any part of the Black Walnut tree** - It contains a chemical that will stunt or prevent the growth of some plants, tomatoes in particular.

TROUBLESHOOTING

Symptom	Problem(s)	Solution(s)
Odor	Excess nitrogen Excess moisture Lack of oxygen	Mix in "brown" material and rotate tumbler
The Pile Will Not Heat Up	Lack of nitrogen Lack of oxygen Lack of moisture Excess moisture Particle size is too big	Mix in "brown" material and rotate tumbler Rotate tumbler Dampen mix Mix in "brown" material and rotate tumbler Chip or grind materials
Animal Or Insect Pests	Pile contains bones, meat, fatty or starchy foods, or animal manure	DO NOT ADD THESE MATERIALS TO MIXTURE (See DO NOT ADD THESE INGREDIENTS TO YOUR COMPOST PILE)

MISC TIPS AND TRICKS

Critical Mass – When is Enough Enough? - For efficient speed composting, you need to have a critical mass to generate a heat core, starting at a minimum of 1 cubic foot of raw materials. Of course, more is better. The Tumbling Composter holds 6.5 cubic feet. A properly made batch will reach temperatures of about 140° F in four to five days. At this time, you will notice the batch "settling." This is a good sign that your batch is working properly.

NOTE: Once your batch gets to optimal size, refrain from adding raw materials to the working compost, and simply start a new batch with new raw materials. You might be tempted to add more materials; but, this resets the clock on that batch to "Day 1." This is why it's recommended to have at least two tumblers.

How to Tell When it's Done - Your compost is finished when the original material has been transformed into a uniform, dark brown, crumbly product with a pleasant, earthy aroma. Dump the compost out of the tumbler, leaving a little bit inside as starter microbes for your next batch.

WHEN AND HOW TO USE COMPOST

Garden Fertilizer and Soil Building – Compost can be used throughout the season as a garden fertilizer. Simply side dress vegetables and flowers for a slow-release food source and improved disease prevention. To improve tilth, fertility, water retention for sandy soils, water drainage for clay soils, and soil's disease fighting characteristics, till in compost in spring and fall.

Lawn Feeding – Screened compost (compost that has been sifted to collect the smaller particles) can be applied as a lawn fertilizer throughout the season. It will provide a wonderful slow-release food as well as assist in lawn disease prevention. Since the nutrients aren't as concentrated as in chemical lawn foods, you'll avoid the stripes that can easily occur when incorrectly applying chemicals, along with chemical run-off.

Potting Mix (potted plants, seed starting) – Compost can be added to potting soil to create a nutrient-rich mixture. Most commercial potting mix is made from Canadian peat moss, which is virtually void of nutrients, so the addition of good compost provides a real boost.

LOCATION FOR YOUR TUMBLING COMPOSTER

Choose a flat, level surface convenient to your source materials (kitchen scraps, lawn clippings, garden, etc.).

Since microbes work best at elevated temperatures, temperature is key to the breakdown of compost. Although microbes generate their own heat as they work, you can help keep them warm by positioning the Compost Tumbler out of excessive wind and in full sunlight. In hotter areas of the country a shady location may work as well. The fastest decomposition occurs between 140° and 160° Fahrenheit, but some breakdown will occur as long as the compost is kept above freezing.

WINTER - Since the Tumbling Composter is portable, it can be moved (even when full) by one or two people to convenient locations. In winter, place it by your back door so you do not have a long trek to recycle your kitchen scraps. Although the microbes stop working when the batch freezes, freezing breaks down fibers in organic material which will speed decomposition in spring. In winter, do not turn the unit, but continue to add waste. When spring arrives and the material defrosts, tumble and begin adding materials in the correct portions. You may find you need to add a lot of carbon material to achieve the correct ratio, so do not overfill the Compost Tumbler during winter.

If you prefer not to use the Tumbling Composter in winter, move it to a location sheltered from high winds and excess snow accumulation. Ideally, you should store it in your garage or shed.

POURQUOI COMPOSTER

Composter chez soi - Composter est le moyen qu'utilise la nature pour recycler. Les plantes vivaces, et les plantes caduques qui meurent à la fin de la saison, sont consommées par des mammifères, des oiseaux, des rongeurs, des vers, des insectes et des micro-organismes. Le résultat de ce cycle naturel est le compost, un mélange de nourriture digérée et non digérée qui est laissé sur le sol de la forêt pour créer une terre riche et malléable avec une odeur agréable.

Le compostage dans son jardin est la décomposition voulue et gérée de matières organiques pour produire du compost. Cela ne coûte rien, c'est facile à faire et c'est une gestion responsable de l'environnement. Le compost est le meilleur adjuvant pour obtenir une bonne, et même remarquable, terre de jardin.

Comment le compost aide-t-il l'environnement? - Le compostage peut diminuer de manière significative la quantité de déchets solides qu'on retrouverait sinon dans le ramassage des ordures et le cycle de déversement. Les coupes de jardin et les épluchures en cuisine représentent 20 à 30% de tous les déchets ménagers. Au cours des 15 dernières années, le compostage a diminué de 9 millions de tonnes les dépôts en décharge. Cette quantité continue de baisser chaque année.

Vous serez moins dépendant des engrais chimiques si vous utilisez du compost pour votre gazon et votre jardin. Vous économiserez de l'argent et vous réduirez, ou même éliminerez une pollution chimique potentielle dans votre jardin. Utiliser du compost plutôt que des engrais chimiques vous donnera la certitude que votre gazon et votre jardin poussent à profusion dans un sol vivant et non pollué.

COMPOSTEUR À TAMBOUR BASCULANT

Le Composteur à tambour basculant est un composteur rapide doté de tiges ou d'ailettes qui mélangent les touffes et les brisent pour accélérer la décomposition. Les composteurs rapides peuvent atteindre des températures supérieures à 140°F (60°C). Ce type de compostage nécessite de mélanger le bon ratio de matières « brunes » (carbone) et de matières « vertes » (azote). Voyez les COMPOSANTS ESSENTIELS POUR UN EXCELLENT COMPOST. Ajoutez de l'eau quand c'est nécessaire et retournez le tambour basculant chaque jour ou tous les 2 jours pour que l'oxygène, les éléments nutritifs, les micro-organismes et l'humidité soient répartis de manière égale à travers le contenu en décomposition. En quelques semaines, votre Composteur à tambour basculant aura transformé vos déchets en une précieuse matière organique.

Vous avez deux façons de faire du compost avec un composteur à tambour basculant :

1. Système recommandé : vous pouvez faire un lot de compost en chargeant le tambour jusqu'à ce qu'il soit plein. Vous laissez ensuite ce lot se décomposer jusqu'à ce que le cycle soit complètement terminé. Si vous faites marcher deux tambours basculants en même temps, vous pouvez commencer à ajouter de la matière dans le second tambour en attendant que le premier ait terminé son cycle. Vous aurez beaucoup plus de succès si vous évitez de rajouter des matières nouvelles au traitement en cours et commencez tout simplement un autre lot avec de nouveaux déchets.

2. Vous pouvez faire continuellement du compost en ajoutant de plus en plus de matières de sorte que ce nouveau matériel se mélange à celui qui se décompose. Si vous voulez faire un compostage continu, vous pouvez arrêter d'en ajouter quand le tambour est presque plein et laisser le reste du contenu se décomposer, puis vous recommencez le cycle complet.

COMPOSANTS ESSENTIELS POUR UN EXCELLENT COMPOST

Processus biologique - Que se passe-t-il dans un tas de compost? Si c'est la première fois que vous essayez d'en faire, vous serez peut-être surpris de la taille et de la complexité de la communauté de petits organismes qui s'installent dans votre tas de compost. Ces organismes, dont de nombreux insectes, bestioles, limaces, bactéries et champignons, forment ce que l'on appelle un « réseau alimentaire ». Ajouter un peu de terre de jardin à votre compost servira à le faire démarrer ou à l'activer. Les micro-organismes contenus dans la terre accéléreront la formation de la « communauté » et permettront de décomposer plus rapidement.

Tous les membres du réseau alimentaire du compost sont très utiles et ne doivent pas être dérangés dans leur travail. Si vous supprimez l'un d'entre eux avec un insecticide, vous interférez avec leur cycle naturel et vous contaminez également votre compost avec des résidus insecticides.

Ingrédients - Il y a quatre ingrédients de base pour composter : l'azote, le carbone, l'eau et l'air. L'eau et l'air ne sont pas difficiles. L'alimentation est un peu plus complexe. Elle regroupe deux catégories de matières, que l'on appelle tout simplement les matières « vertes » et les matières « brunes ». Le vert et le brun n'ont rien à voir avec la couleur de ces matières, ce n'est qu'une manière abrégée de dire que les matières sont riches en azote ou en carbone. Les « vertes » ont un taux d'azote élevé et les « brunes » ont un taux de carbone élevé. Les matières « vertes » fournissent des protéines aux bestioles microscopiques, tandis que les matières « brunes » leur donnent de l'énergie. Tout ce qui pousse dans votre jardin est un aliment possible pour ces microbes. Vous n'avez qu'à déposer ces matières par couche et les mélanger dans le Composteur à tambour basculant. Ajoutez de l'eau et faites basculer pour ajouter de l'air. Puis laissez les micro-organismes faire leur travail, qui décomposera la matière pendant un certain temps.

Ratio d'azote / carbone - L'idéal est de mélanger 75% de matière « brune » et 25% de matière « verte » par volume. Un bon mélange de matières « brunes » et de « vertes » aide le tas à conserver la quantité d'humidité et d'air adéquate, accélérant ainsi la décomposition. Trop d'azote donne une masse lourde et malodorante qui se décompense lentement. Si vous n'êtes pas sûr, ajoutez davantage de carbone!

Azote - Les matières « vertes », comme l'herbe coupée, les feuilles vertes, le fumier, et les coupes de jardin sont des sources idéales d'azote pour le compostage. Les déchets alimentaires comme les morceaux coupés de légumes et de fruit, ainsi que les épluchures peuvent également donner de l'azote. Pour ce qui est des déchets en cuisine, mettez un grand récipient en plastique doté d'un couvercle et d'une poignée sous l'évier. Coupez en petits bouts les morceaux trop importants avant de les jeter dans le récipient. Quand ce dernier est plein, videz-le dans le composteur.

Carbone - Les matières « brunes » de jardin, comme les feuilles sèches, les brindilles ou le foin, permettent d'équilibrer le carbone. Elles allègent et aèrent le compost. Les feuilles sèches sont la meilleure source de carbone. Ramasser les feuilles, les déchiqueter et les mettre de côté pour le tas de compost de l'année suivante est une excellente chose pour créer un très bon compost. Si votre mélange est trop mouillé, ou s'il contient trop d'azote, ajoutez des feuilles sèches.

Voyez le TABLEAU DE BASE POUR L'AZOTE ET LE CARBONE pour des informations plus détaillées.

Eau - L'une des erreurs les plus courantes du compostage est de laisser le mélange devenir trop sec. Votre compost doit être aussi humide qu'une éponge essorée. Il est préférable d'avoir un contenu d'humidité de 40 à 60%. Pour vérifier si vous avez assez d'humidité, prenez une poignée de matière dans votre compost et serrez-la. Si quelques gouttes d'eau s'en échappent, l'humidité est probablement suffisante. Dans le cas contraire, ajoutez de l'eau. Il vaut mieux insérer un tuyau d'arrosage dans le mélange de manière à ne pas mouiller uniquement le dessus. L'eau en excédent s'écoulera par les ouvertures de ventilation. Votre compost doit être humide, et non pas mouillé.

Air - Les bactéries et les champignons contenus dans votre tas de compost ont besoin d'oxygène pour vivre et travailler. Si votre tas est trop dense et devient trop humide, l'alimentation en air ne passe pas à l'intérieur et les organismes bénéfiques meurent. La décomposition sera lente et une odeur désagréable pourrait se dégager. Pour éviter ce problème et accélérer le processus, retournez le tambour chaque jour ou tous les deux jours. C'est aussi un bon moment pour ajouter les feuilles déchetées que vous avez mises de côté. Ouvrir le couvercle pendant quelques heures peut également aider à éliminer l'excédent d'humidité.

N'oubliez pas que toutes les matières organiques se décomposent en tous petits morceaux. Même si vous jetez des résidus de votre jardin dans un trou dans la terre, ils se transformeront en compost à un moment ou un autre. Ce n'est pas la fin du monde si vous vous trompez. Voyez le GUIDE DE DÉPANNAGE pour des informations plus détaillées.

REMARQUE : la taille des particules est très importante pour la vitesse de décomposition. Plus les micro-organismes auront de surface pour faire leur travail, plus les matières se décomposeront vite. Coupez ou déchiquetez en petits morceaux les matières plus grandes. Si vous n'avez pas de déchiqueteuse pour les feuilles sèches et les petites brindilles, passez la tondeuse dessus avant de les ajouter au tas.

TABLEAU DE BASE POUR L'AZOTE ET LE CARBONE

Matière	Carbone/Azote	Info
Déchets de table	Azote	Ajoutez avec des articles en carton sec.
Déchets de fruits et légumes	Azote	Ajoutez avec des articles en carton sec.
Fumier de poule/lapin	Azote	Excellent « activateur », utilisez-le avec modération.
Café moulu	Azote	Les filtres peuvent aussi être inclus.
Feuilles de thé	Azote	En vrac ou en sachets.
Coupes d'herbe	Azote	Ajoutez en petites couches minces de manière à ce qu'elles ne forment pas de touffes et se putréfient.
Plantes de jardin	Azote	N'utilisez que des plantes qui n'ont pas de maladie.
Mauvaises herbes de gazon et de jardin	Azote	Utilisez uniquement des mauvaises herbes qui n'ont pas germé.
Fleurs, coupes de jardin	Azote	Coupez les longues branches de bois.
Algues et varech	Azote	Rincez d'abord; bonne source de minéraux en trace.
Coquilles d'œuf	Neutre	Il vaut mieux les écraser.
Feuilles	Carbone	Les feuilles se décomposent plus vite si elles sont déchiquetées.
Paille ou foin	Carbone	La paille est parfaite ; le foin (avec des graines) est moins bien.
Aiguilles de pin	Carbone	Acide; utilisez en quantité modérée.
Cendres de bois	Carbone	Utilisez uniquement les cendres de matériels propres; saupoudrez légèrement.
Carton	Carbone	Déchiquetez la matière pour éviter l'enchevêtrement.
Épis de maïs, tiges	Carbone	Se décomposent lentement, il vaut mieux les couper en petits morceaux.
Peluche de séchoir	Carbone	C'est mieux quand ce sont des fibres naturelles.
Copeaux de bois	Carbone	Le contenu élevé en carbone peut être trop important et arrêter un bon compost; utilisez-les en petite quantité.
Sciure	Carbone	Le contenu élevé en carbone peut être trop important et arrêter un bon compost; utilisez-la en petite quantité. Assurez-vous que la sciure soit propre, sans huile de machine ou autre résidu d'équipement de coupe. N'utilisez pas de sciure provenant de bois peint ou traité.

N'ajoutez pas les ingrédients suivants à votre tas de compost :

- **Viande, poissons, os et graisses animales** - Ces aliments fermentent ou se putréfient. Ils causent des odeurs nauséabondes et attirent des moches, des rongeurs et des animaux nocturnes pouvant être nuisibles.
- **Les aliments gras comme les produits laitiers, les sauces, les sauces pour salade et l'huile de cuisson** - Ces aliments fermentent ou se putréfient. Ils causent des odeurs nauséabondes et attirent des moches, des rongeurs et des animaux nocturnes pouvant être nuisibles.
- **Journaux ou papiers de bureau déchiquetés** – Recyclez-les plutôt. Il est fort possible que ces papiers contiennent des produits chimiques qui ne sont pas bons pour votre compost.
- **Cendres de votre barbecue** – Les cendres de bois peuvent être très utiles en petite quantité. Cependant, ne mettez jamais les cendres de votre barbecue dans votre tas de compost.
- **Excréments de chien et de chat** – Il y a trop de risques à ajouter des maladies dangereuses, sans mentionner une odeur désagréable! Le fumier de poule, vache et lapin est bien en quantité modérée.
- **Les mauvaises herbes pérennes qui ont germées ou les plantes malades** - Elles peuvent se propager avec le compost.
- **Les aliments cuits ou en conserve contenant du sel.** - Le sel tue les organismes qui compostent vos déchets.
- **Tous les éléments constituant le noyer noir** - Il contient un produit chimique qui peut retarder ou empêcher la croissance de certaines plantes, en particulier les tomates.

GUIDE DE DÉPANNAGE

Symptôme	Problème(s)	Solution(s)
Odeur	Trop d'azote Trop d'humidité Manque d'oxygène	Mélangez avec des matières « brunes » et retournez le tambour.
Le tas ne chauffe pas	Manque d'azote Manque d'oxygène Manque d'humidité Trop d'humidité La taille des particules est trop grande	Mélangez avec des matières « brunes » et retournez le tambour. Retournez le tambour Humectez le mélange Mélangez avec des matières « brunes » et retournez le tambour Coupez en morceau ou écrasez les matières
Animaux ou insectes nuisibles	Le tas contient des os, de la viande ou des aliments gras ou féculents, ou du fumier d'animal.	N'AJOUTEZ PAS CES MATIÈRES AU MÉLANGE (Voyez le paragraphe "N'AJOUTEZ PAS LES INGRÉDIENTS SUIVANTS À VOTRE TAS DE COMPOST")

CONSEILS PRATIQUES ET ASTUCES DIVERSES

Masse critique – Quand y en a-t-il suffisamment? - Pour avoir un compost rapide et efficace, vous devez avoir une masse critique afin de générer de la chaleur au centre, en commençant avec un minimum de 1 pied cube de matière brute. Si vous en avez plus, c'est mieux. Le Composteur à tambour basculant contient 6,5 pieds cubes. Un tas bien fait atteindra une température d'environ 140°F (60°C) en quatre ou cinq jours. À ce moment-là, vous allez voir votre compost commencer à « se tasser ». C'est le signe que votre compostage se déroule correctement.

REMARQUE : une fois que votre lot a atteint la taille optimale, évitez d'ajouter de nouvelles matières au traitement en cours. Commencez tout simplement un nouveau lot avec de nouvelles matières. Vous pouvez être tenté d'ajouter encore de la matière, mais dans ce cas, vous allez revenir en arrière, au premier jour. C'est la raison pour laquelle, nous recommandons d'avoir au moins deux tambours.

Comment savoir quand le compost est fini - Il est terminé lorsque les matières initiales se sont transformées en un produit uniforme, brun foncé et friable, doté d'une odeur agréable de terre. Videz le composteur. Laissez un peu de compost à l'intérieur pour garder des microbes qui commenceront le lot suivant.

QUAND ET COMMENT UTILISER LE COMPOST

Engrais de jardin et renforcement du sol – Le compost peut servir d'engrais de jardin en toute saison. Mettez-en autour des légumes et des fleurs pour obtenir une distribution lente de source alimentaire et mieux éviter les maladies. Incorporez du compost à la terre au printemps et en automne pour améliorer le labourage, la fertilité, la rétention d'eau dans les sols sablonneux, le drainage des sols argileux et la capacité du sol à lutter contre les maladies.

Engrais de gazon – Le compost tamisé (que vous avez passé au tamis afin d'obtenir des petites particules) peut servir d'engrais de gazon en saison. Cela donne une excellente nourriture à distribution lente et aide à éviter les maladies. Dans la mesure où les éléments nutritifs ne sont pas concentrés comme dans les engrais chimiques, vous évitez les bandes qui apparaissent souvent lorsque les engrais chimiques ne sont correctement répartis. Vous évitez également les écoulements d'engrais chimiques.

Terreau (plantes en pot, semis) – Le compost peut être ajouté au terreau pour créer un mélange riche en éléments nutritifs. La plupart des terreaux du commerce sont constitués de mousse de tourbe canadienne, qui n'a pratiquement aucun élément nutritif. Ajouter un bon compost est un excellent stimulant.

EMPLACEMENT DE VOTRE COMPOSTEUR À TAMBOUR BASCULANT

Choisissez une surface plate et nivelée, à un endroit commode pour les matières que vous utilisez (déchets de cuisine, coupes de gazon, jardin, etc.).

Dans la mesure où les microbes travaillent mieux avec des températures élevées, la température est essentielle à la décomposition du compost. Les microbes génèrent leur propre chaleur en travaillant, mais vous pouvez les aider à rester au chaud en plaçant votre composteur en plein soleil et à l'abri des vents trop forts. Dans les endroits plus chauds du pays, un emplacement à l'ombre peut tout aussi bien faire l'affaire. La décomposition la plus rapide a lieu entre 140 et 160° Fahrenheit (60 et 65°C). Cependant, un peu de décomposition se fait, tant que le compost ne gèle pas.

HIVER - Puisque le composteur à tambour est mobile, une ou deux personnes peuvent le transporter dans un endroit commode (même quand il est plein). En hiver, mettez-le près de la porte qui donne au jardin. Vous n'aurez pas de longue distance à parcourir pour recycler vos déchets de cuisine. Même si le compost s'arrête de travailler lorsqu'il gèle, le grand froid transforme les fibres en matière organique, ce qui accélérera la décomposition au printemps. Ne retournez pas l'unité en hiver, mais continuez à ajouter des déchets. Quand le printemps arrive et que le compost dégèle, basculez le tambour et commencez à ajouter les matières dans les bonnes proportions. Vous devrez peut-être ajouter beaucoup de matières contenant du carbone pour obtenir le bon ratio. Évitez donc de trop remplir le Composteur à tambour pendant l'hiver.

Si vous préférez ne pas utiliser le Composteur à tambour basculant en hiver, déplacez-le à l'abri des vents et d'une trop grande accumulation de neige. Dans l'idéal, vous devriez le mettre dans votre garage ou sous un abri.

POR QUÉ FABRICAR ABONO

Fabricación de abono en casa - La generación de abono es la manera de reciclar de la naturaleza. Las plantas vivientes, y las plantas anuales que mueren al final de la estación son consumidas por animales mamíferos, roedores, gusanos, insectos y organismos microscópicos. El resultado de este ciclo natural es el abono, una combinación de alimento digerido y no digerido que queda en el suelo del bosque para crear tierra enriquecida, suave y de olor dulce.

La fabricación de abono en el jardín trasero es la descomposición intencional y administrada de materiales orgánicos para la producción de abono. Es gratis, fácil de hacer y responsable con el medio ambiente. El abono es el mejor aditivo para una tierra buena y hasta excelente.

¿Cómo ayuda la fabricación de abono al medio ambiente? - La fabricación de abono puede reducir significativamente la cantidad de desecho sólido que de otra manera terminaría en el basurero y en el ciclo de desechos. Los residuos de la poda y los desechos de la cocina constituyen entre el 20 y 30% de los desechos de los hogares. En los últimos 15 años, la fabricación de abono ha reducido el desecho sanitario en 9 millones de toneladas, y continúa disminuyéndolo cada año.

Utilizar abono para fertilizar el césped y el jardín reducirá la dependencia de productos fertilizantes químicos. Ahorrará dinero y reducirá, y hasta eliminará, el potencial de polución química en su jardín trasero. Usar abono en lugar de fertilizantes químicos, asegurará que su césped y jardín se desarrollen en un suelo lleno de vida y saludable.

EL TAMBOR COMPOSTADOR OSCILANTE

El tambor compostador oscilante es un compostador veloz con varillas o aletas que mezclan y descomponen terrones para acelerar la descomposición. Los compostadores veloces pueden alcanzar temperaturas mayores que 140°F (60°C). Este tipo de fabricación de abono requiere mezclar una proporción correcta de materiales “marrones” (carbono) y “verdes” (nitrógeno). Consulte LOS COMPONENTES CLAVE PARA UNA ABONO SUPERIOR. Añada agua cuando sea necesario y gire el tambor cada 1 a 2 días para mantener el oxígeno, nutrientes, micro organismos y humedad distribuidos homogéneamente en el lote que se está desarrollando. En semanas, el tambor compostador oscilante transformará los residuos en material orgánico valioso.

Hay dos maneras de fabricar abono en un tambor:

1. Recomendada: Puede hacer un lote de abono; en este proceso, usted carga el tambor hasta que está lleno, luego deja que todo se descomponga hasta terminar completamente. Si trabaja con dos tambores a la vez, puede empezar cargando el segundo tambor mientras espera que el primer tambor termine el proceso. Obtendrá mejores resultados si no añade más materia prima al primer lote de abono en fabricación, y simplemente comienza un segundo lote con nueva materia prima.

2. Puede fabricar abono continuamente; en este proceso, usted añade cada vez más material de manera que el nuevo material se mezcla con el material que ya se está descomponiendo. Si desea fabricar abono continuamente con un tambor, puede parar de agregar material cuando esté casi lleno, y dejar que la última parte del contenido se descomponga, y luego empezar de nuevo.

LOS COMPONENTES CLAVE PARA UN ABONO SUPERIOR

Proceso biológico - ¿Qué ocurre en una ruma de abono? Si está intentando fabricar abono por primera vez, puede sorprenderle el tamaño y la complejidad de la comunidad de pequeños organismos que habitan en la ruma de abono. Estos organismos, entre los cuales están muchos insectos, bichos, bacterias y hongos, forman lo que se llama una “red alimenticia”. El añadir una pequeña cantidad de tierra de jardín al abono servirá como un arrancador/activador. Los micro organismos en la tierra acelerarán la formación de la “comunidad” y acelerarán la descomposición.

Todos los miembros de la red alimenticia del abono son beneficiosos para el abono y deben dejarse solos para que hagan su trabajo. Si retira cualquiera de los organismos mediante el uso de insecticidas, interferirá con el ciclo natural, y también contaminará el abono con residuos de insecticidas.

Ingredientes - Hay cuatro ingredientes básicos en la fabricación de abono: nitrógeno, carbono, agua y aire. El agua y el aire son fáciles. Los nutrientes son un poco más complejos. Los nutrientes constan de dos clases de materiales, simplemente conocidos como “verdes” y “marrones”. “Verde” y “marrón” no se refieren al color de los materiales, es sólo una abreviación que significa rico en nitrógeno o rico en carbono. “Verde” significa alto contenido de nitrógeno y “marrón” significa alto contenido de carbono. Los materiales “verdes” proporcionan proteínas para los micro bichos, mientras que los materiales “marrones” proporcionan energía. Todo lo que crece en el jardín es alimento potencial para los microbios. Simplemente haga capas y mezcle estos materiales en el tambor compostador oscilante. Añada agua y voltee el tambor oscilante para añadir aire. Luego deje que los micro organismos hagan su trabajo, lo cual descompondrá los materiales con el transcurrir del tiempo.

La proporción entre nitrógeno y carbono - La mezcla ideal es 75% de material “marrón” y 25% de material “verde” por volumen. Una buena mezcla de materiales “marrones” y “verdes” ayuda a que la ruma mantenga la cantidad correcta de humedad y aire, lo cual acelera la descomposición. Demasiado nitrógeno produce una masa pesada, maloliente y de descomposición lenta. ¡Si tiene dudas, añada más carbono!

Nitrógeno - Los materiales “verdes”, tales como los recortes del jardín, las hojas verdes, excremento animal y residuos de la poda de arbustos son fuentes ideales de nitrógeno para la fabricación de abono. Los residuos de alimentos tales como pedazos y cáscaras de vegetales y frutas también proporcionan nitrógeno. En cuanto a los residuos de la cocina, mantenga un contenedor de plástico de gran tamaño con tapa y asa debajo del lavadero. Corte los pedazos grandes antes de arrojarlos al contenedor. Cuando esté lleno el contenedor, vacíelo dentro del tambor compostador.

Carbono - El material “marrón” del césped y el jardín tal como hojas secas, ramas o heno proporcionan el equilibrio del carbono y le dan al abono su cuerpo liviano y esponjoso. La fuente mejor de material de carbono son las hojas secas. Recoger, desmenuzar y almacenar hojas secas para la ruma de abono del próximo año es lo mejor que puede hacer para crear un excelente abono. Si la mezcla está demasiado húmeda o contiene demasiado nitrógeno, añada hojas secas.

Consulte la TABLA BÁSICA DE NITRÓGENO / CARBONO para obtener más información.

Agua - Uno de los errores más comunes en la fabricación de abono es dejar que la mezcla seque demasiado. El abono debe estar tan húmedo como una esponja exprimida. Es preferible un contenido de humedad entre 40 y 60%. Para comprobar que la humedad es la adecuada, meta la mano dentro del tambor compostador y agarre un puñado de material y apriete. Si caen gotas de agua, probablemente hay suficiente humedad, si no, añada agua. Es mejor meter una manguera dentro de la mezcla de manera que no humedezca solamente la parte superior. El exceso de agua drenará a través de las aberturas de ventilación. Mantenga la mezcla húmeda, pero no empapada.

Aire - Las bacterias y los hongos que están en la ruma de abono necesitan oxígeno para vivir y trabajar. Si la ruma es demasiado densa o se humedece demasiado, el suministro del aire hacia el interior se corta y los organismos beneficiosos mueren. La descomposición se retarda y pueden producirse malos olores. Para evitar esto y acelerar el proceso, voltee el tambor oscilante cada 1 ó 2 días. Este también es un buen momento para añadir hojas desmenuzadas de su reserva. Abrir la tapa por unas cuantas horas también puede ayudar a eliminar la humedad excesiva.

Sólo recuerde que todo material orgánico se descompone. Aún si sólo arroja los restos del jardín dentro un agujero en la tierra, se transformarán en abono tarde o temprano. No es el fin del mundo si da un paso en la dirección equivocada. Consulte RESOLUCIÓN DE PROBLEMAS para obtener información detallada.

NOTA: El tamaño de las partículas tiene mucho que ver con la rapidez de la descomposición. Mientras mayor es la superficie que tienen los micro organismos para trabajar, más rápido se descompone el material. Corte o desmenuce los materiales de tamaño grande en pedazos pequeños. Si no tiene un desmenuzador para las hojas secas y ramas pequeñas, intente pasar el cortador de césped sobre ellas antes de colocarlas dentro de la ruma.

TABLA BÁSICA DE NITRÓGENO / CARBONO

Material	Carbono/Nitrógeno	Información
Restos de comida	Nitrógeno	Añada con materiales de carbono secos.
Restos de frutas y vegetales	Nitrógeno	Añada con materiales de carbono secos.
Excremento de pollo/conejo	Nitrógeno	Excelente 'activador' de abono, use con moderación.
Café molido	Nitrógeno	También pueden incluirse filtros.
Hojas de té	Nitrógeno	Sueltas o en bolsas.
Recortes de césped	Nitrógeno	Añada en capas delgadas de manera que no formen grumos y se pudran.
Plantas del jardín	Nitrógeno	Use plantas sin enfermedades, solamente.
Hierba mala del césped y el jardín	Nitrógeno	Sólo use hierba mala que no ha producido semilla.
Recortes de flores	Nitrógeno	Corte los tallos de madera largos.
Algas y algas marinas	Nitrógeno	Enjuague primero. Buena fuente de micronutrientes.
Cáscara de huevo	Neutral	Mejor cuando está aplastado.
Hojas	Carbono	Las hojas se descomponen más rápido cuando están desmenuzadas.
Paja o heno	Carbono	Paja es mejor. Heno (con semillas) no es lo ideal.
Agujas de pino	Carbono	Ácido; use cantidades moderadas.
Ceniza de madera	Carbono	Use cenizas de materiales limpios, solamente. Espolvoree poco.
Cartón	Carbono	Desmenuce los materiales para evitar apelmazamiento.
Tallo y granos de maíz	Carbono	Lento para descomponer. Es mejor cortar.
Pelusa de la secadora	Carbono	Mejor si proviene de fibras naturales.
Astillas de madera	Carbono	Contenido con mucho carbono puede trastornar y detener lo que de otra manera sería un lote bueno de abono. Use en poca cantidad.
Aserrín	Carbono	Contenido con mucho carbono puede trastornar y detener lo que de otra manera sería un lote bueno de abono. Use en poca cantidad. Asegúrese de que el aserrín esté limpio, sin residuo de aceite de máquina o aceite de cadena de equipo para cortar. No use aserrín de madera pintada o tratada.

No añada los ingredientes siguientes a la ruma de abono:

- **Carne, pescado, grasa y huesos de animales** - Estos alimentos se fermentan o pudren, causando malos olores, y pueden atraer moscas, roedores y animales nocturnos que pueden convertirse en pestes.
- **Alimentos grasos como productos lácteos, salsas, aderezos de ensalada y aceite de cocina** - Estos alimentos se fermentan o pudren, causando malos olores, y pueden atraer moscas, roedores y animales nocturnos que pueden convertirse en pestes.
- **Papel periódico o papel de oficina en trizas** - Mejor es reciclarlos. Muy probablemente el papel contiene productos químicos que no son buenos para el abono.
- **Cenizas de la parrilla** - Las cenizas de madera pueden ser muy útiles en cantidades pequeñas. Pero, nunca ponga cenizas de la parrilla en la ruma del abono.
- **Excremento de perros y gatos** - Mucho riesgo de añadir enfermedades peligrosas, ¡ni qué decir de los olores desagradables! El excremento de pollo, caballo, vaca y conejo está bien, pero con moderación.
- **Hierba mala de plantas perennes que han producido semilla o plantas enfermas** - Pueden esparcirse conjuntamente con el abono.
- **Alimentos cocinados o enlatados que contienen sal** - La sal mata los organismos que producen el abono.
- **Cualquier parte del árbol nogal negro** - Contiene un producto químico que detendrá o evitará el crecimiento de algunas plantas, tomates en particular.

SOLUCIÓN DE PROBLEMAS

Síntoma	Problema(s)	Solución(es)
Mal olor	Excesivo nitrógeno Excesiva humedad Falta de oxígeno	Incluya en la mezcla material "marrón" y gire el tambor
La ruma no calienta	Falta de nitrógeno Falta de oxígeno Falta de humedad Excesiva humedad El tamaño de la partícula es demasiado grande	Incluya en la mezcla material "marrón" y gire el tambor Gire el tambor Humedezca la mezcla Incluya en la mezcla material "marrón" y gire el tambor Corte en trozos o muele los materiales
Peste de animales o insectos	La ruma contiene huesos, carne, alimentos grasosos o con almidón, o excremento animal	NO AÑADA ESTOS MATERIALES A LA MEZCLA (Consulte la sección "NO AÑADA ESTOS INGREDIENTES A LA RUMA DE ABONO")

SUGERENCIAS Y TRUCOS DIVERSOS

Masa crítica – ¿Cuándo es suficiente? - Para lograr una fabricación de abono veloz, necesita tener una masa crítica para generar un núcleo de calor, comenzando con un mínimo de 1 pie cúbico de materia prima. Por supuesto, más es mejor. El tambor compostador oscilante tiene capacidad para 6.5 pies cúbicos. Un lote preparado adecuadamente alcanzará temperaturas de alrededor de 140°F (60°C) F en cuatro a cinco días. En este momento, notará que el lote se está "asentando". Esta es una buena señal de que el lote está trabajando correctamente.

NOTA: Una vez que el lote alcanza el tamaño óptimo, no añada más materia prima al abono en proceso, y simplemente comience un nuevo lote con nueva materia prima. Puede verse tentado de añadir más materiales. Pero esto restablece el reloj del lote al "día 1". Es por esto que recomendamos que tenga por lo menos dos tambores.

Cómo saber cuándo ya está hecho - El abono está listo cuando el material original se ha transformado en un producto uniforme, de color marrón oscuro y desmenuzable con un aroma agradable a tierra. Vacíe el abono del tambor, dejando una pequeña cantidad dentro para que los microbios iniciadores empiecen con el lote siguiente.

CUÁNDO Y CÓMO UTILIZAR EL ABONO

Fertilizante de jardín y para formar tierra – El abono puede usarse durante la temporada como fertilizante de jardín. Simplemente, eche fertilizante al costado de vegetales y flores con el fin de liberar nutrientes lentamente y mejorar la prevención de enfermedades. Para mejorar el cultivo, la fertilidad y la retención de agua en suelos arenosos, el drenaje de agua en suelos arcillosos, y las cualidades de defensa contra enfermedades del suelo, coloque abono en la primavera y el otoño.

Fertilización del césped – El abono tamizado (abono que ha sido cernido para recolectar las partículas pequeñas) puede aplicarse al fertilizante de césped durante la estación. Proporcionará un nutriente maravilloso de liberación lenta y ayudará a prevenir enfermedades del césped. Ya que los nutrientes no están tan concentrados como en los nutrientes químicos para césped, evitará las franjas que fácilmente ocurren cuando se aplican productos químicos incorrectamente, así como también la escorrentía de productos químicos.

Mezcla para macetas (plantas en maceta, comenzando desde la semilla) – Puede añadirse abono a la tierra de maceta para crear una mezcla rica en nutrientes. La mayoría de mezclas comerciales para macetas se hace de musgo canadiense, que prácticamente no tiene nutrientes, de manera que añadir abono bueno produce un impulso real.

UBICACIÓN DEL TAMBOR COMPOSTADOR OSCILANTE

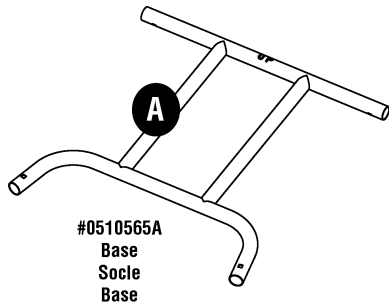
Escoja un superficie plana y nivelada de fácil acceso para añadir la materia prima (restos de la cocina, recortes del césped, jardín, etc.).

Ya que los microbios trabajan mejor a temperaturas elevadas, la temperatura es clave para la descomposición del abono. Si bien los microbios generan su propio calor al trabajar, puede ayudárseles manteniéndolos cálidos colocando el tambor compostador alejado de viento excesivo y a plena luz del día. En áreas más cálidas del país, una ubicación bajo la sombra también puede funcionar bien. La descomposición más rápida ocurre entre 140 y 160° Fahrenheit (60 y 65°C) Fahrenheit, pero un poco de descomposición puede ocurrir siempre que el abono se mantenga por encima de la temperatura de congelamiento.

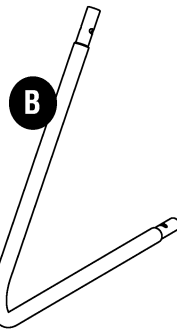
INVIERNO - Ya que el tambor compostador es portátil, una o dos personas pueden moverlo (aun cuando está lleno) a una ubicación más conveniente. En el invierno, ubíquelo junto a la puerta trasera de manera que no tenga que caminar mucho para reciclar los desechos de la cocina. Si bien los microbios dejan de trabajar cuando el lote se congela, el congelamiento descompone las fibras para convertirlas en material orgánico lo cual acelerará la descomposición en la primavera. En el invierno, no gire la unidad, pero continúe añadiendo desperdicios. Cuando llegue la primavera y el material se descongela, mueva de manera oscilante el tambor y empiece a añadir materiales en las porciones correctas. Puede que se percate que necesita añadir bastante material de carbono para lograr la proporción correcta, de manera que no llene demasiado el tambor compostador durante el invierno.

Si prefiere no utilizar el tambor compostador en el invierno, muévelo a una ubicación bajo techo alejado de vientos fuertes y de la acumulación excesiva de nieve. Idealmente, debería guardarlo en la cochera o en un cobertizo o caseta de almacenamiento.

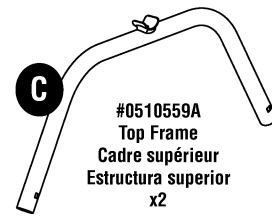
PARTS / PIÈCES / PARTES



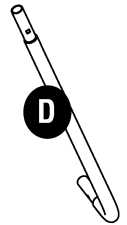
#0510565A
Base
Socle
Base



#0510558
Front Frame
Cadre avant
Estructura frontal
x2



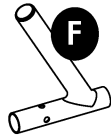
#0510559A
Top Frame
Cadre supérieur
Estructura superior
x2



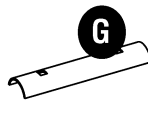
#0510560
Rear Frame
Cadre arrière
Estructura trasera
x2



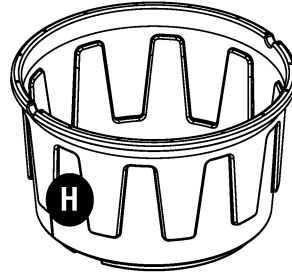
#0510555A
Outer Axle
Axe extérieur
Eje exterior
x2



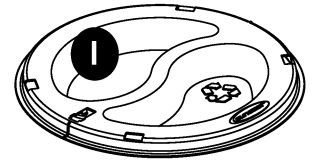
#0510561
Inner Axle
Axe intérieur
Eje interior
x2



#0510556
Clamp Plate
Plaque de collier
Placa de abrazadera
x2

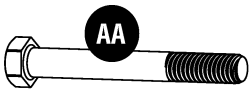


#010209424
Barrel Half
Demi tambour
Mitad del tambor
x2

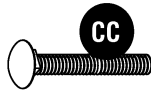


#010209718
Barrel Lid
Couvercle de tambour
Tapa del tambor
x2

HARDWARE / QUINCAILLERIE / TORNILLERÍA



#0630643
Hex Head Cap Screw
Vis à tête hexagonale
Tornillo de cabeza hexagonal
x2



#0200030
Carriage Bolt - 1 3/4"
Boulon de carrosserie de 1 3/4 po.
Perno de carrocería - 1 3/4 pulg.
x4



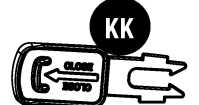
#0220051
Acorn Nut
Écrou borgne
Tuerca ciega
x8



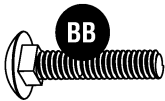
#0220048
1/4" Hex Nut
Écrou hexagonal de 1/4 po.
Tuerca hexagonal 1/4 pulg.
x22



#0510563
Drum Lock Base
Base de verrouillage du tambour
Base del seguro del tambor



#010210024
Lid Lock
Verrouillage du couvercle
Seguro de la tapa
x2



#0200032
Carriage Bolt - 1 1/4"
Boulon de carrosserie de 1 1/4 po.
Perno de carrocería - 1 3/4 pulg.
x8



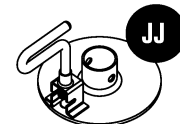
#0210177
Phillips Head Screw - 5/8"
Vis cruciforme de 5/8 po.
Tornillo Phillips - 5/8 pulg.
x18



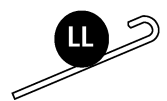
#010195510
Bushing
Bague
Buje
x2



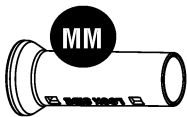
#0510562
Spacer
Entretoise
Espaciador



#0510564
Drum Lock
Verrouillage de tambour
Seguro del tambor



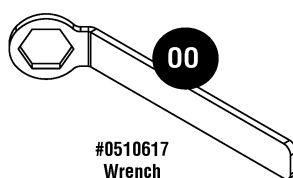
#0510557
Stakes
Piquets
Estacas
x4



#0630659
Lock Sleeve
Manchon de verrouillage
Manga de cierre



#0630644
3/8" Hex Nut
Écrou hexagonal de 3/8 po.
Tuerca hexagonal 3/8 pulg.
x2



#0510617
Wrench
Clé
Llave

FRAME ASSEMBLY / ASSEMBLAGE DU CHÂSSIS / ENSAMBLAJE DE LA ESTRUCTURA

1. Position Base (A) with bolt holes at back oriented as shown and the word "UP" facing up.

NOTE: Failure to correctly orient Base will prevent insertion of bolt in step 7.

Take one Front Frame (B) and insert longer section of frame into right front side of Base. Line up bolt hole in Front Frame tube with bolt hole in Base.

1. Placez le socle (A) de manière à ce que les trous de boulons situés à l'arrière soient orientés de la façon illustrée et que le mot « UP » soit orienté vers le haut.

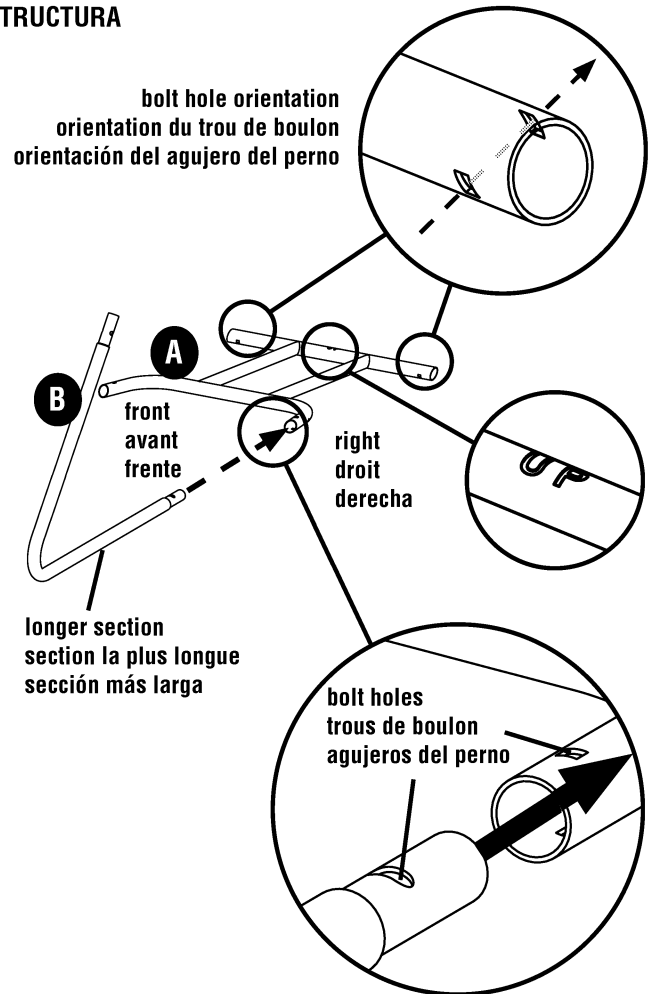
REMARQUE : Si vous n'orientez pas correctement le socle, vous ne pourrez pas insérer le boulon à l'étape 7.

Prenez un cadre avant (B) et insérez la partie la plus longue du cadre dans le côté avant droit du socle. Alignez le trou de boulon dans la tige du cadre avant au trou de boulon du socle.

1. Coloque la base (A) con los agujeros para pernos en la parte trasera orientados como se muestra y la palabra "UP" orientada hacia arriba.

NOTA: El no ubicar correctamente la Base no permitirá la inserción del perno en el paso 7.

Tome una estructura frontal (B) e inserte la sección más larga de la estructura en el lado frontal derecho de la Base. Alinee el agujero del perno del tubo de la estructura frontal con el agujero del perno de la Base.



2. Insert one Carriage Bolt (BB) through aligned bolt holes of Front Frame and Base. Secure with Acorn Nut (EE). Hand tighten.

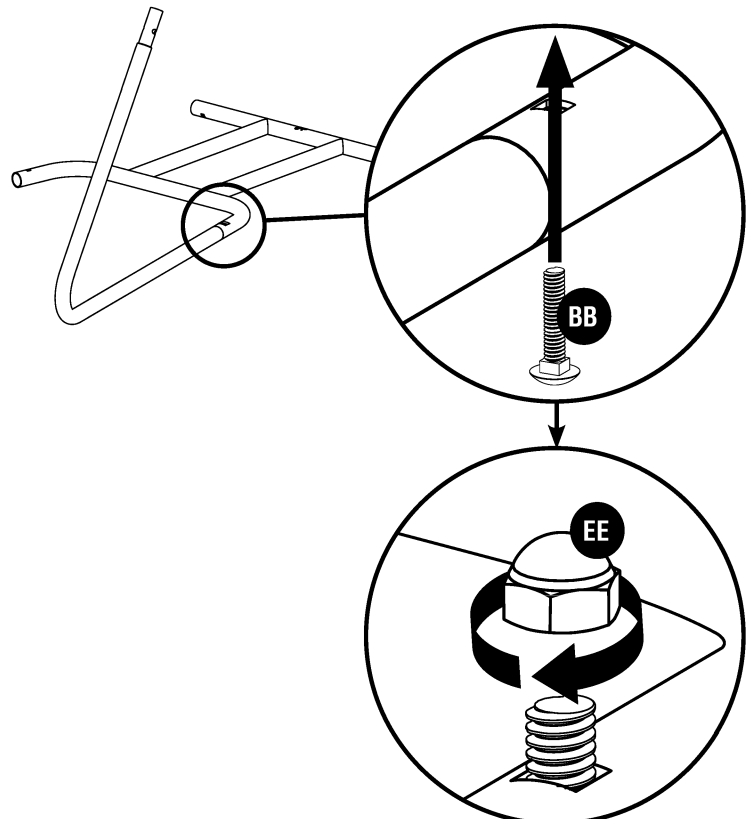
NOTE: Do not fully tighten until step 9.

2. Insérez un boulon de carrosserie (BB) à travers les trous de boulon alignés du cadre avant et du socle. Verrouillez avec un écrou borgne (EE). Serrez à la main.

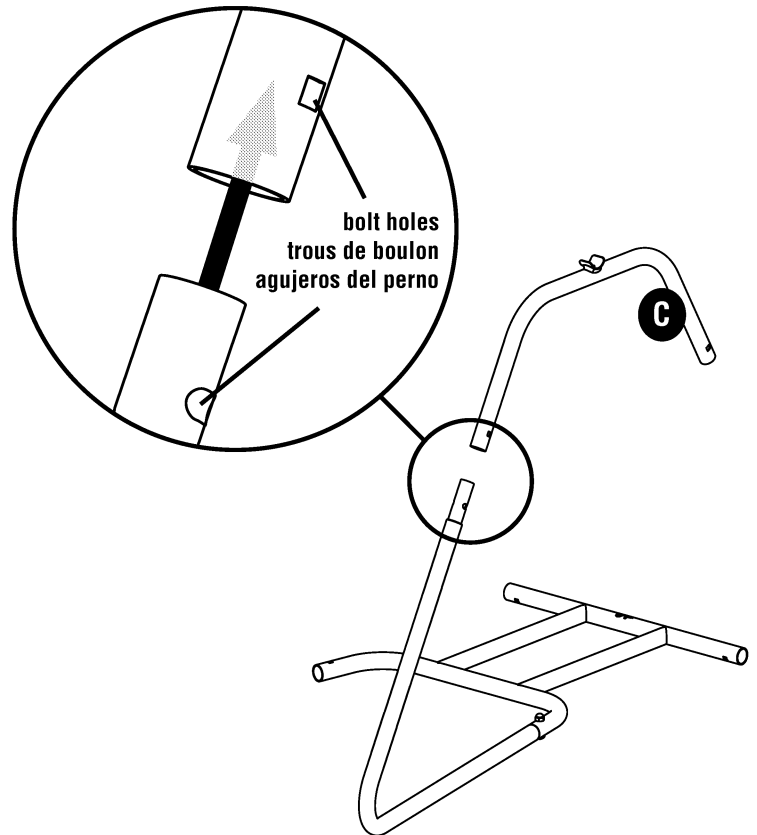
REMARQUE : Ne serrez pas complètement avant d'arriver à l'étape 9.

2. Inserte un perno de carrocería (BB) a través de los agujeros alineados de los pernos de la estructura frontal y la base. Asegure con una tuerca ciega (EE). Apriete con la mano.

NOTA: No apriete completamente hasta llegar al paso 9.



3. Take one Top Frame (C) and insert upper end of Front Frame into either end of Top Frame. Line up bolt hole in Front Frame with bolt hole in Top Frame.



3. Prenez un cadre supérieur (C) et insérez l'extrémité supérieure du cadre avant dans l'un des bouts du cadre supérieur. Alignez le trou de boulon dans le cadre avant au trou de boulon dans le cadre supérieur.

3. Tome una estructura superior (C) e inserte el extremo superior de la estructura frontal en los dos extremos de la estructura superior. Alinee el agujero del perno de la estructura frontal con el agujero del perno de la estructura superior.

4. Insert one Carriage Bolt (BB) through aligned bolt holes of Front Frame and Top Frame. Secure with Acorn Nut (EE). Hand tighten.

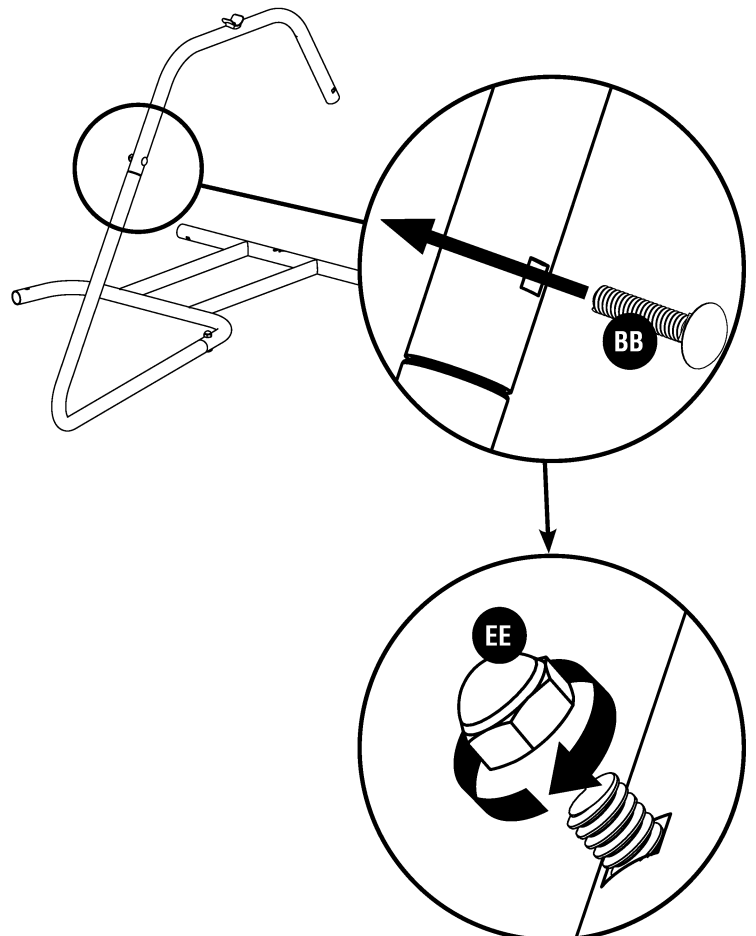
NOTE: Do not fully tighten until step 9.

4. Insérez un boulon de carrosserie (BB) à travers les trous de boulon alignés du cadre avant et du cadre supérieur. Verrouillez avec un écrou borgne (EE). Serrez à la main.

REMARQUE : Ne serrez pas complètement avant d'arriver à l'étape 9.

4. Inserte un perno de carrocería (BB) a través de los agujeros alineados de los pernos de la estructura frontal y la estructura superior. Asegure con una tuerca ciega (EE). Apriete con la mano.

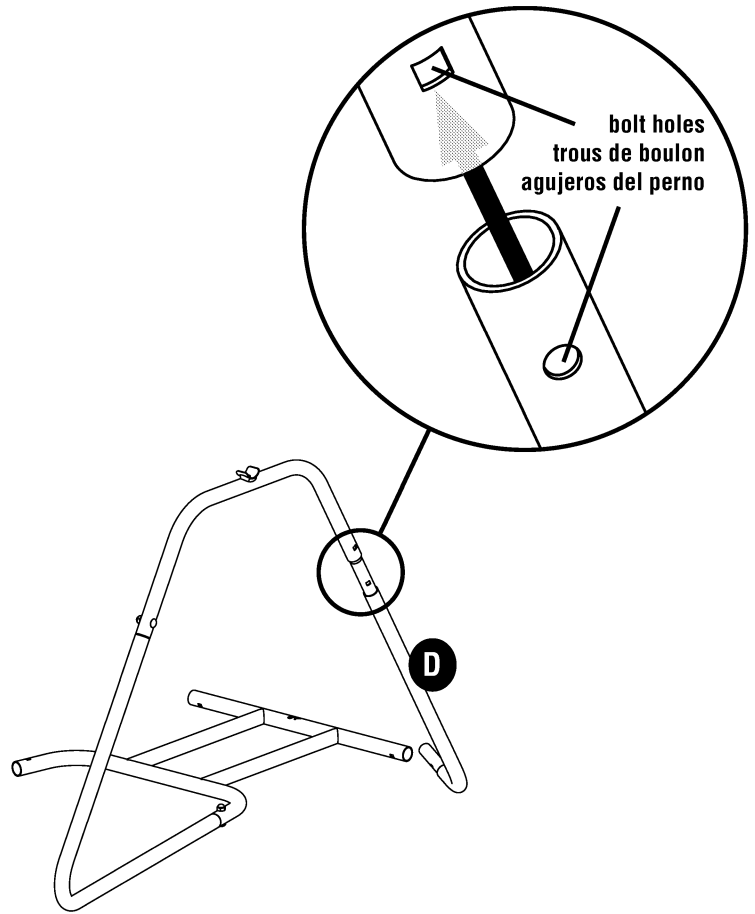
NOTA: No apriete completamente hasta llegar al paso 9.



5. Take one Rear Frame (D) and insert straight end into remaining opening of Top Frame.

5. Prenez un cadre arrière (D) et insérez l'extrémité qui est droite dans l'ouverture restante du cadre supérieur.

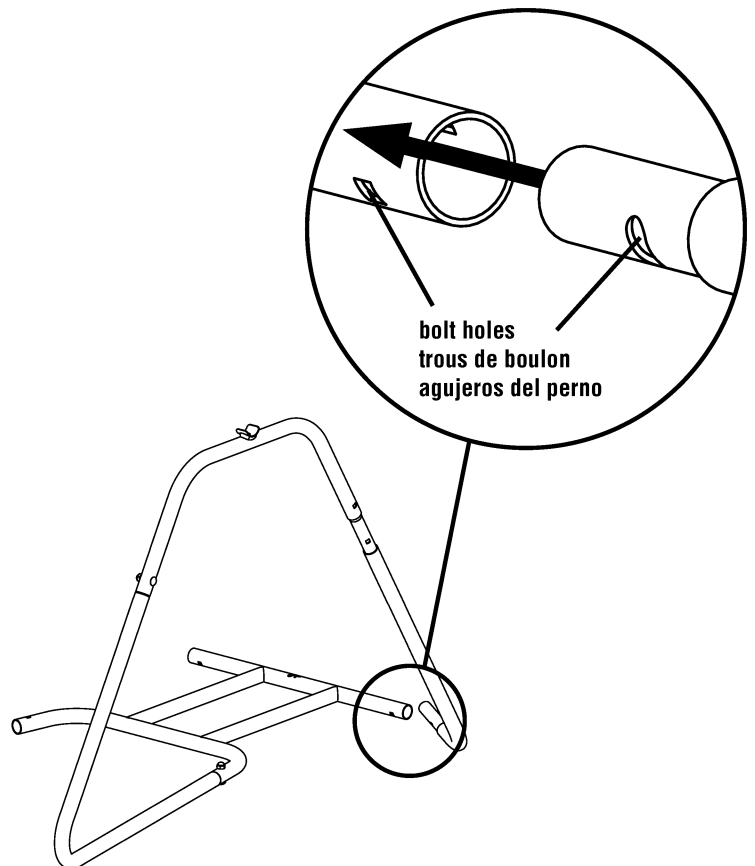
5. Tome una estructura trasera (D) e inserte el extremo recto dentro de la abertura restante de la estructura superior.



6. Rotate bottom end of rear Frame to insert into Base. Line up bolt hole in Rear Frame with bolt hole in Base. Line up bolt hole in Rear Frame with bolt hole in Top Frame.

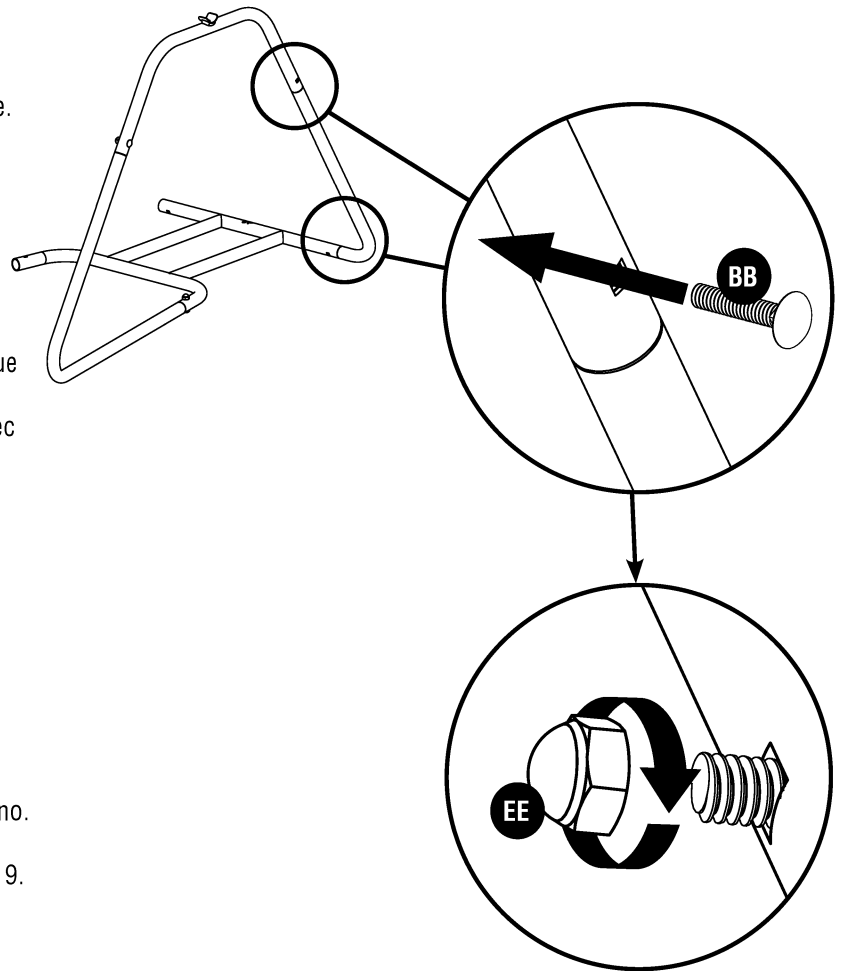
6. Faites pivoter l'extrémité basse du cadre arrière de manière à pouvoir l'insérer dans le socle. Alignez le trou de boulon du cadre arrière sur le trou de boulon du socle. Alignez le trou de boulon du cadre arrière sur le trou de boulon du cadre supérieur.

6. Gire el extremo inferior de la estructura trasera para insertarla dentro de la base. Alinee el agujero para perno situado en la estructura trasera con el agujero para perno en la base. Alinee el agujero para perno situado en la estructura trasera con el agujero para perno en la estructura superior.



7. Insert one Carriage Bolt (BB) through each (2) set of aligned bolt holes of Top Frame, Rear Frame and Base. Secure with Acorn Nut (EE). Hand tighten.

NOTE: Do not fully tighten until step 9.



7. Insérez un boulon de carrosserie (BB) à travers chaque ensemble (2) de trous de boulon alignés du cadre supérieur, du cadre arrière et du socle. Verrouillez avec un écrou borgne (EE). Serrez à la main.

REMARQUE : Ne serrez pas complètement avant d'arriver à l'étape 9.

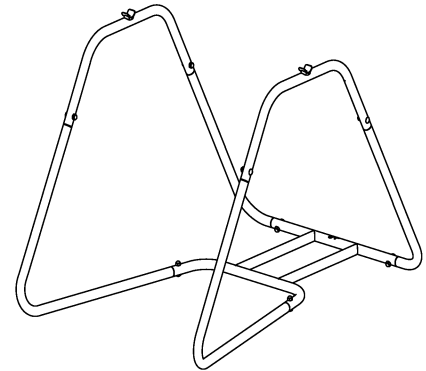
7. Inserte un perno de carrocería (BB) a través de cada conjunto (2) de agujeros de perno alineados de la estructura superior, la estructura trasera y la base. Asegure con una tuerca ciega (EE). Apriete con la mano.

NOTA: No apriete completamente hasta llegar al paso 9.

8. Repeat FRAME ASSEMBLY steps 1 - 7 for left side of composter frame.

8. Répétez les étapes 1 à 7 de l'ASSEMBLAGE DU CHÂSSIS pour le côté gauche du cadre du composteur.

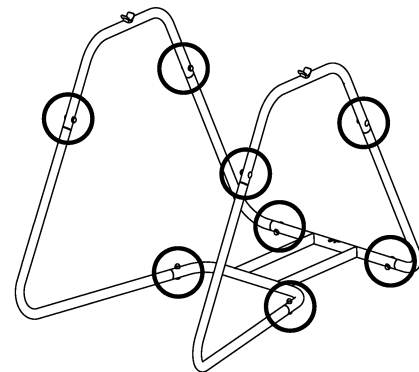
8. Repita los pasos 1 a 7 del ENSAMBLAJE DE LA ESTRUCTURA para el lado izquierdo de la estructura del tambor compostador.



9. Tighten all (8) Acorn Nuts on frame with 3/8" wrench (not supplied). Do not overtighten.

9. Resserrez tous (8) les écrous borgnes sur le cadre à l'aide d'une clé de 3/8 po (non fournie). Ne serrez pas trop fort.

9. Apriete todas las tuercas ciegas (8) en la estructura con la llave de 3/8" (no provista). No apriete más de lo necesario.

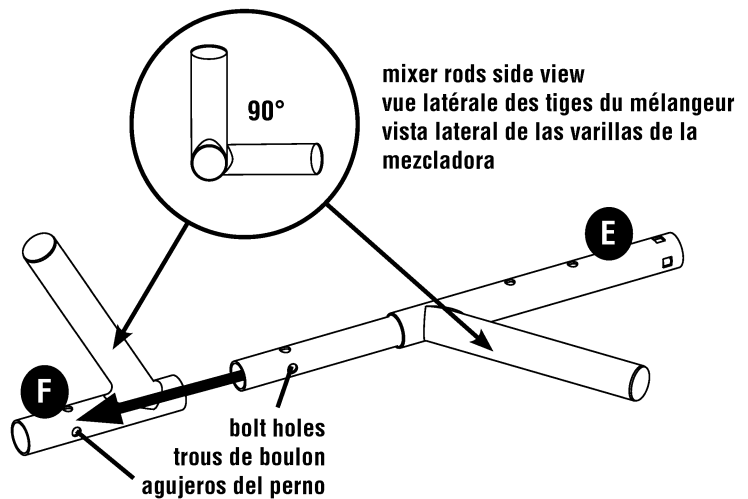


MIXER ASSEMBLY / ASSEMBLAGE DU MÉLANGEUR / ENSAMBLAJE DE LA MEZCLADORA

1. Insert one Outer Axle (E) into end of one Inner Axle (F), as shown. Align bolt holes to create a 90° angle between the two mixer rods. See illustration.

1. Insérez un axe extérieur (E) dans l'extrémité d'un axe intérieur (F), comme l'indique l'illustration. Alignez les trous de boulon afin de créer un angle de 90° entre les deux tiges du mélangeur. Voyez l'illustration.

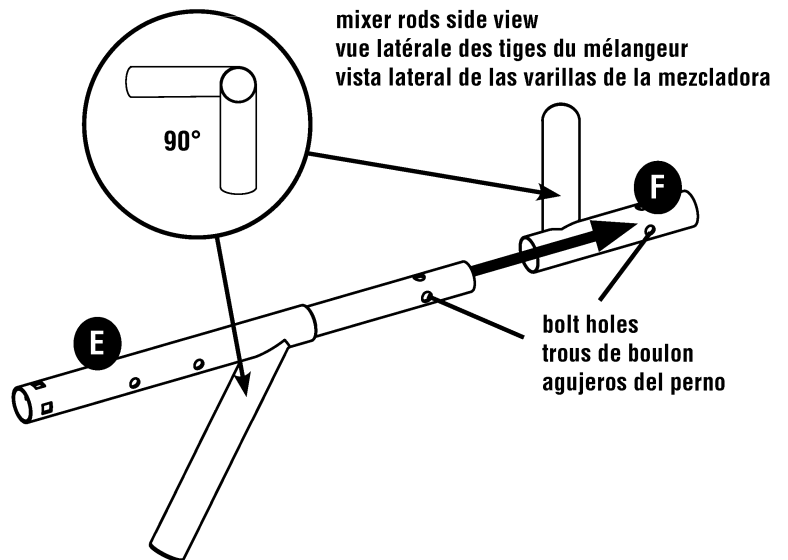
1. Inserte un eje exterior (E) en el extremo de un eje interior (F), como se muestra. Alinee los agujeros del perno para crear un ángulo de 90° entre las dos varillas de la mezcladora. Vea la ilustración.



2. Insert remaining Outer Axle (E) into end of remaining Inner Axle (F), as shown. Align bolt holes to create a 90° angle between the two mixer rods. See illustration.

2. Insérez l'axe extérieur restant (E) dans l'extrémité de l'axe intérieur restant (F), comme l'indique l'illustration. Alignez les trous de boulon afin de créer un angle de 90° entre les deux tiges du mélangeur. Voyez l'illustration.

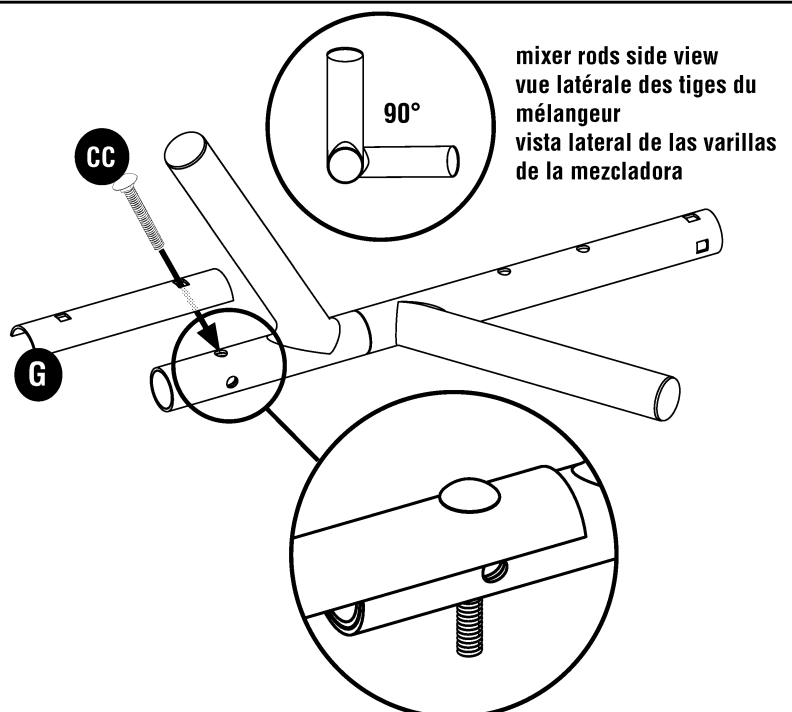
2. Inserte el eje exterior restante (E) en el extremo del eje interior restante (F), como se muestra. Alinee los agujeros del perno para crear un ángulo de 90° entre las dos varillas de la mezcladora. Vea la ilustración.



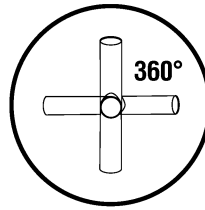
3. Position mixer rods of one axle assembly at angles shown. Attach one Clamp Plate (G) by inserting Carriage Bolt (CC) through aligned bolt holes of Clamp Plate and axle assembly.

3. Positionnez les tiges du mélangeur d'une des pièces de l'axe dans les angles indiqués. Fixez une plaque de collier (G) en insérant un boulon de carrosserie (CC) à travers les trous de boulon alignés de la plaque de collier et de l'axe.

3. Ubique las varillas de la mezcladora en uno de los ensambles del eje en ángulo como se muestra. Instale una placa de abrazadera (G) insertando el perno de carrocería (CC) a través de los agujeros de perno alineados de la placa de abrazadera y el ensamble de los ejes.



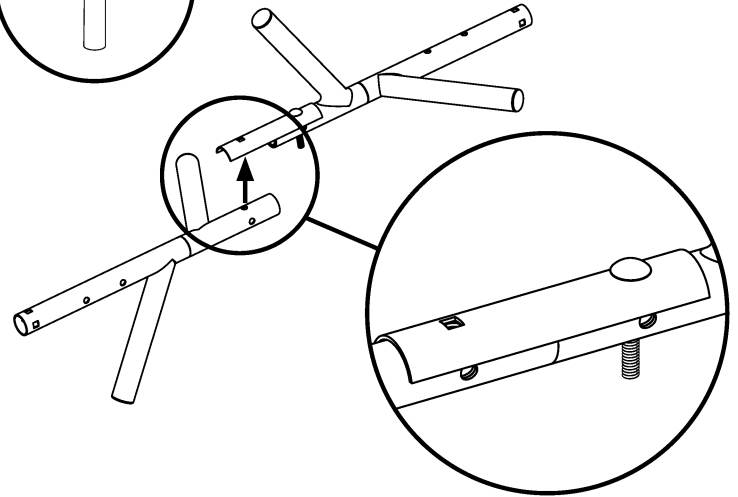
4. Position remaining axle assembly under Clamp Plate, aligning all four mixing rods in a 360° rotational sequence. See illustration.



mixer rods side view
vue latérale des tiges du mélangeur
vista lateral de las varillas de la mezcladora

4. Positionnez la pièce restante de l'axe sous la plaque de collier, en alignant les quatre tiges du mélangeur dans une séquence de rotation de 360°. Voyez l'illustration.

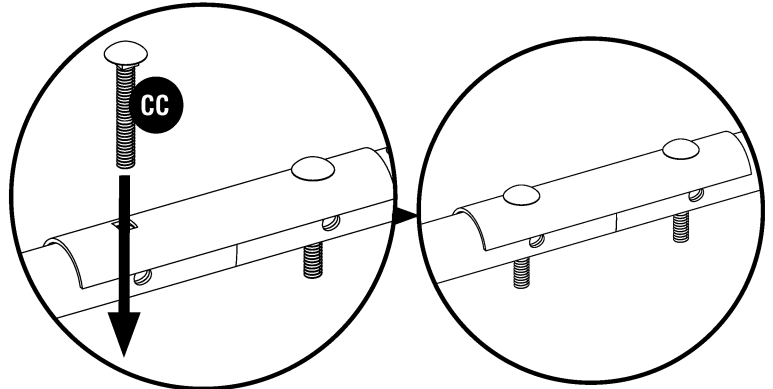
4. Ubique el ensamble del eje restante bajo la placa de abrazadera, alineando las cuatro varillas de la mezcladora en una secuencia rotatoria de 360°. Vea la ilustración.



5. Insert Carriage Bolt (CC) through remaining aligned bolt holes of Clamp Plate and axle assembly.

5. Insérez un boulon de carrosserie (CC) à travers les trous de boulon alignés restant de la plaque de collier et de la pièce de l'axe.

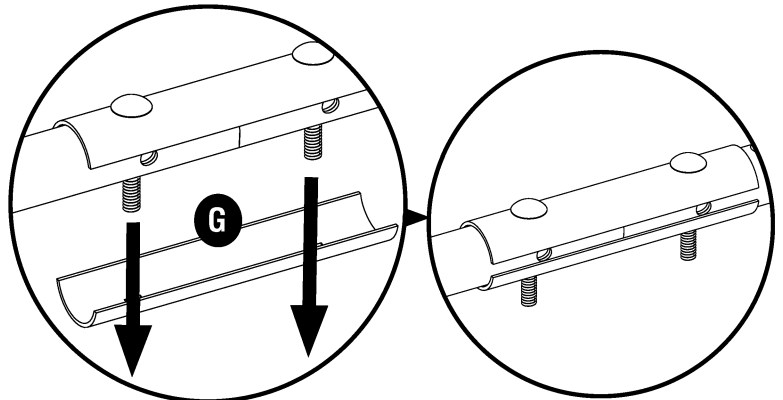
5. Inserte el perno de carrocería (CC) a través de los agujeros de perno alineados restantes de la placa de abrazadera y el ensamblaje de los ejes.



6. Thread ends of Carriage Bolts through remaining Clamp Plate (G), as shown.

6. Enfilez les extrémités des boulons de carrosserie à travers la plaque de collier restante (G), comme l'indique l'illustration.

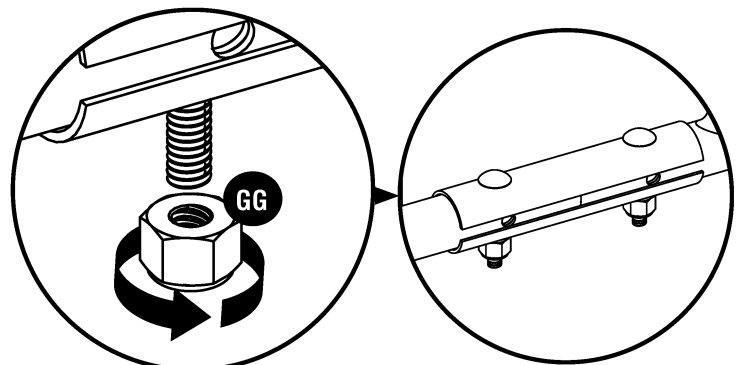
6. Enrosque los extremos de los pernos de carrocería a través de la placa de abrazadera (G), como se muestra.



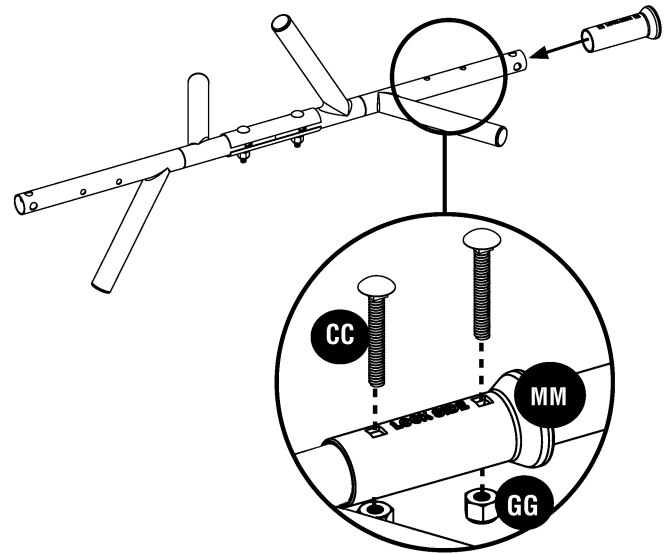
7. Thread one 1/4" Hex Nut (GG) onto end of each Carriage Bolt. Use a wrench to securely tighten.

7. Enfilez un boulon hexagonal de 1/4 po (GG) sur l'extrémité de chaque boulon de carrosserie. Resserrez fermement le tout à l'aide d'une clé.

7. Inserte una tuerca hexagonal de 1/4 pulg. (GG) en el extremo del perno de carrocería. Use una llave para apretarla de manera segura.



8. Slide Lock Sleeve (MM) over one end of axle assembly and align holes. Attach with one Carriage Bolt (CC) and one 1/4" Hex Nut (GG) at each hole. Use supplied Wrench (OO) to securely tighten. **NOTE: This is now the "lock side" of axle assembly.**



8. Glissez le manchon de verrouillage (MM) sur une extrémité de l'axe et alignez les trous. Fixez l'ensemble à l'aide d'un boulon de carrosserie (CC) et d'un écrou hexagonal de 1/4 po. (GG) au niveau de chaque trou. Utilisez une clé (OO) pour serrer. **REMARQUE: ceci est maintenant le côté comportant le « mécanisme de verrouillage » de l'axe.**

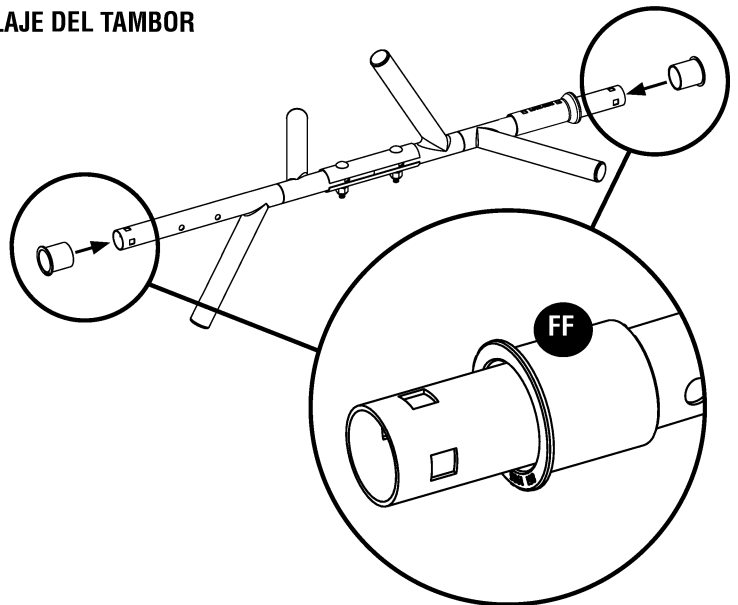
8. Deslice la manga de cierre (MM) sobre un extremo del ensamble de eje y alinee los agujeros. Coloque un perno de carrocería (CC) y una tuerca hexagonal de 1/4 de pulg. en cada agujero. Utilice la llave suministrada (OO) para apretarlos firmemente. **NOTA: Ahora éste es el "lado del seguro" del ensamble de eje.**

BARREL ASSEMBLY / ASSEMBLAGE DU TAMBOUR / ENSAMBLAJE DEL TAMBOR

1. Slide one Bushing (FF) over each end of axle assembly.

1. Glissez une bague (FF) au dessus de chaque extrémité de l'axe.

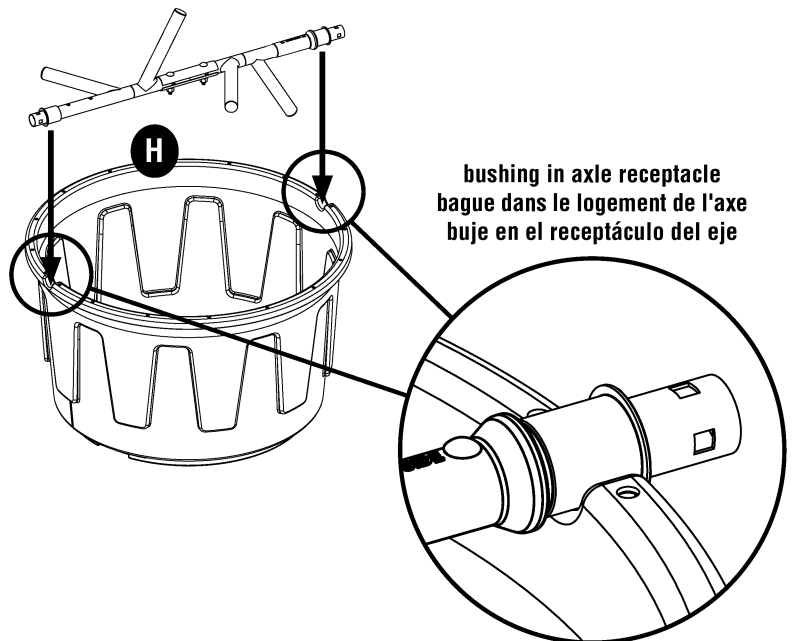
1. Deslice un buje (FF) sobre cada extremo del eje.



2. Place one Barrel Half (H) on a level surface. Place ends of axle assembly over axle receptacles located at sides of barrel. Slide Bushings to align with axle receptacle. See illustration.

2. Placez un demi-tambour (H) sur une surface plate. Mettez les extrémités de l'axe dans les logements situés sur les côtés du tambour. Glissez les bagues pour qu'elles s'alignent sur les logements de l'axe. Voyez l'illustration.

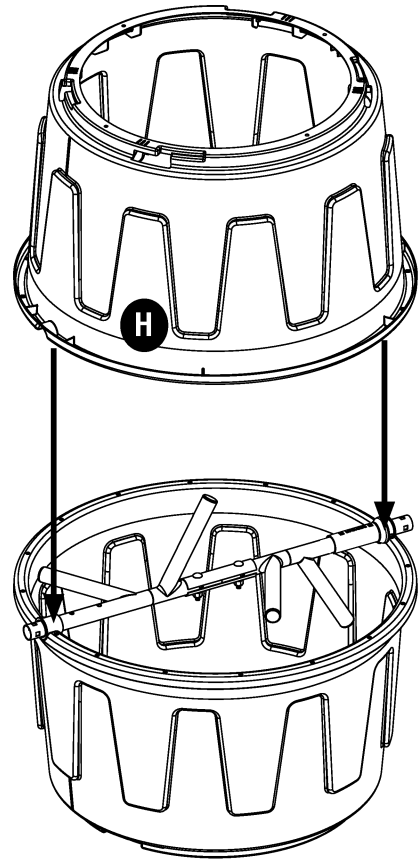
2. Coloque una mitad de tambor (H) en una superficie nivelada. Coloque los extremos del eje sobre los receptáculos de ejes ubicados en los lados del tambor. Deslice los bujes de manera que estén alineados con el receptáculo del eje. Vea la ilustración.



- Place second Barrel Half (H) over top of first Barrel Half and axle assembly. Align axle receptacles of second barrel with axle assembly.

- Placez le second demi tambour (H) au dessus du haut du premier demi tambour et l'axe. Faites correspondre les logements du second tambour aux extrémités de l'axe.

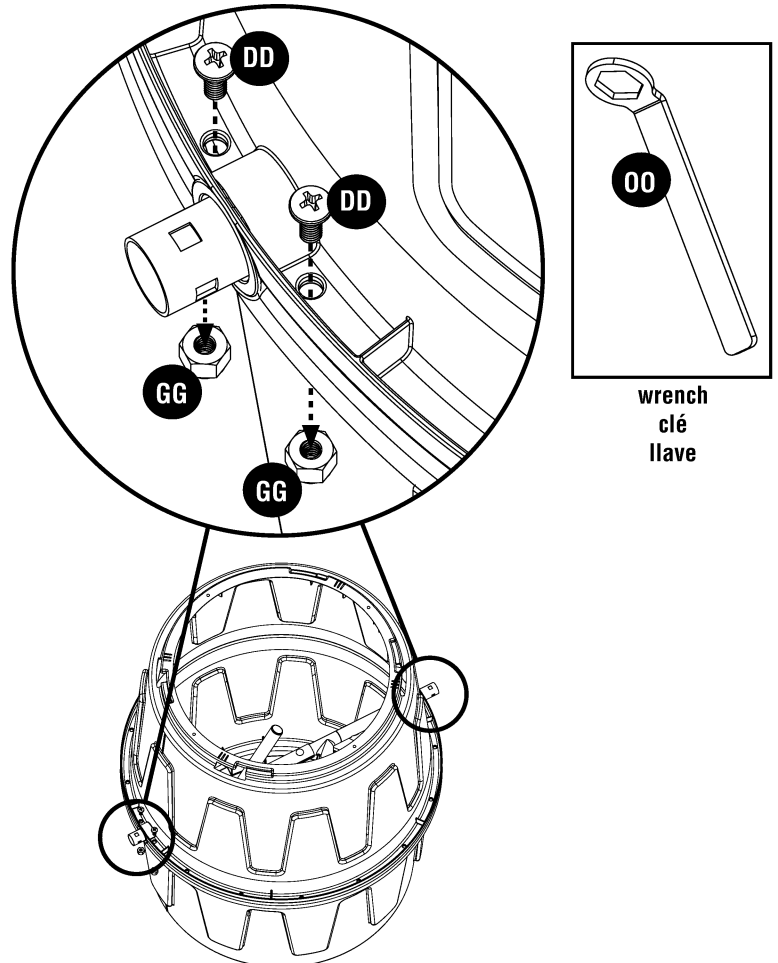
- Coloque la segunda mitad del tambor (H) encima de la primera mitad del tambor y el eje. Alinee los receptáculos del eje de la segunda mitad del tambor con el eje.



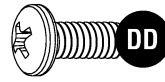
- Begin fastening barrel halves with one Phillips Head Screw (DD) and one 1/4" Hex Nut (GG) placed on each side of both axles. Using a phillips head screwdriver and supplied Wrench (OO), gently tighten until Hex Nut seats against rim. See illustration.

- Commencez à fixer les demi-tambours à l'aide d'une vis cruciforme (DD) et d'un écrou hexagonal de 1/4 po (GG) que vous placerez de chaque côté des axes. À l'aide d'un tournevis cruciforme et de la clé fournie (OO), serrez légèrement l'assemblage jusqu'à ce que l'écrou hexagonal se trouve contre le bord. Voir l'illustration.

- Comience fijando las mitades del tambor con un tornillo de cabeza Phillips (DD) y una tuerca hexagonal de 1/4 pulg. (GG) a cada lado de ambos ejes. Con un destornillador Phillips y la llave suministrada (OO), apriete suavemente hasta que la tuerca hexagonal quede asentada contra el borde. Vea la ilustración.



5. Finish fastening barrel halves with one Phillips Head Screw (DD) and one 1/4" Hex Nut (GG) at remaining 14 locations. See illustration. Using a phillips head screwdriver and supplied Wrench (OO), gently tighten until Hex Nuts seat against rim.



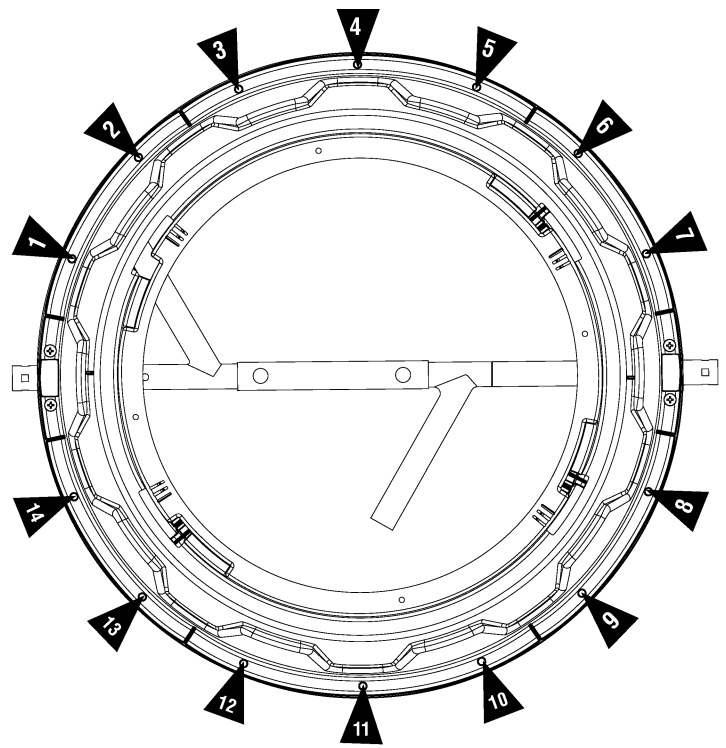
Once all Phillips Head Screws and Hex Nuts are installed, re-tighten all locations.

5. Complétez l'installation des demi-tambours en insérant une vis cruciforme (DD) et un écrou hexagonal de 1/4 po (GG) aux 14 emplacements pertinents restant. Voir l'illustration. À l'aide d'un tournevis cruciforme et de la clé fournie (OO), serrez légèrement l'assemblage jusqu'à ce que l'écrou hexagonal se trouve contre le bord.

Lorsque que vous avez mis toutes les vis cruciformes et tous les écrous hexagonaux, resserrez-les tous.

5. Termine de fijar las mitades del tambor con un tornillo de cabeza Phillips (DD) y una tuerca hexagonal de 1/4 pulg. (GG) en los 14 lugares restantes. Vea la ilustración. Apriete suavemente con un destornillador Phillips y la llave suministrada (OO), hasta que las tuercas hexagonales queden asentadas contra el borde.

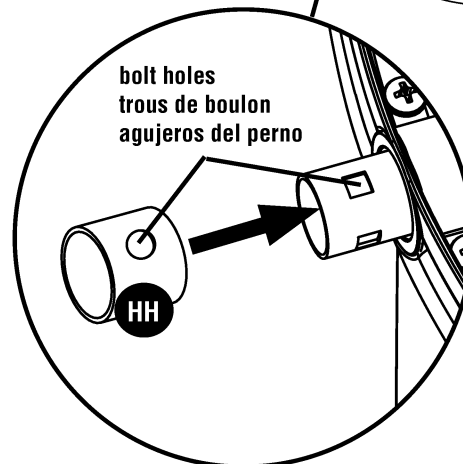
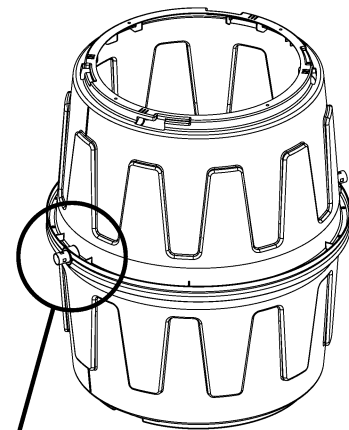
Una vez que todos los tornillos Phillips y las tuercas hexagonales estén instalados, vuelva a apretar en todas las posiciones.



6. Slide Spacer (HH) over the end of the protruding axle assembly that is opposite the Lock Sleeve attached on page 18, step 8. Align bolt holes.

6. Faites glisser l'entretoise (HH) sur l'extrémité de l'axe saillant qui se trouve en face du manchon de verrouillage fixé à l'étape 8 de la page 18. Alignez les trous de boulons.

6. Deslice el espaciador (HH) sobre el extremo del eje saliente situado frente a la manga de cierre acoplada en el paso 8, página 18. Alinee los agujeros de los pernos.



7. **NOTE: Drum Lock Base must be installed on the same side as the Lock Sleeve installed on page 18, step 8.**

Slide Drum Lock Base (II) over the protruding axle assembly with the Lock Sleeve. Fit flanges of Drum Lock Base over rims of fastened barrel halves. See illustration.

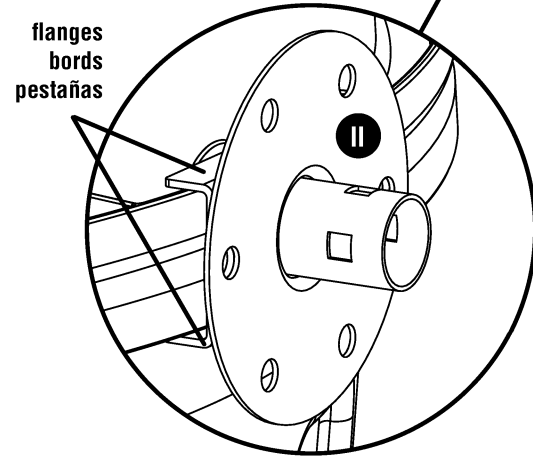
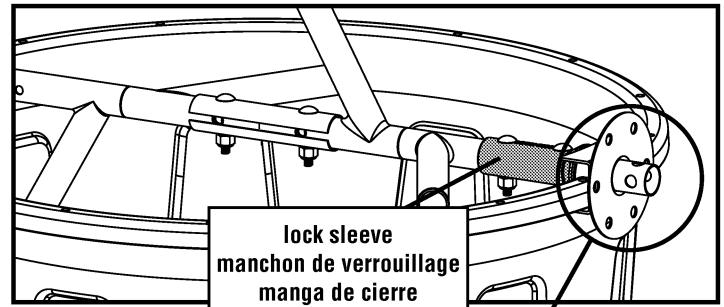
7. **REMARQUE : le socle de verrouillage du tambour doit être installé du même côté que le manchon de verrouillage installé à l'étape 8 de la page 18.**

Faites glisser le socle de verrouillage du tambour (II) sur la partie saillante de l'axe, alors que le manchon de verrouillage y est installé. Faites passer les bords du socle de verrouillage du tambour sur les bords des demi-tambours fixés. Voir l'illustration.

7. **NOTA: La base del seguro del tambor debe instalarse en el mismo lado que la manga de cierre instalada en el paso 8, página 18.**

Deslice la base del seguro del tambor (II) sobre el ensamble de eje saliente con la manga de cierre. Encaje las bridas de la base del seguro del tambor sobre los bordes de las mitades del tambor fijado. Vea la ilustración.

cutaway view / vue en coupe / vista de corte transversal



8. Slide Drum Lock (JJ) over axle assembly and seat against Drum Lock Base. Position Drum Lock as shown.

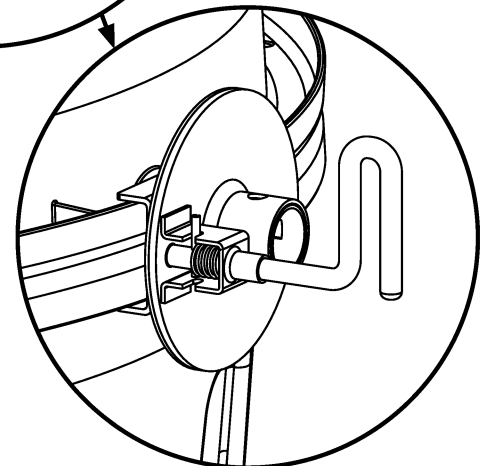
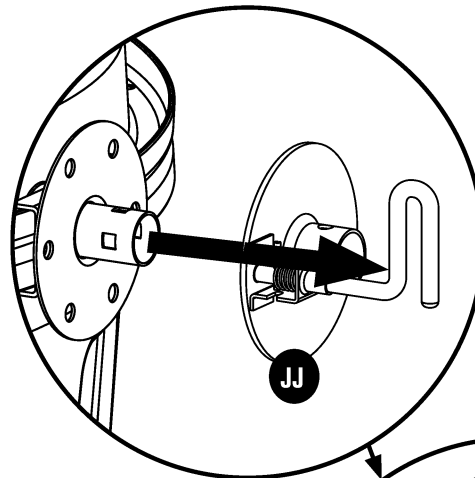
NOTE: See page 26 for detailed instructions on how to use Drum Lock.

8. Glissez le verrouillage de tambour (JJ) au dessus de l'axe et placez-le contre le verrouillage de tambour. Positionnez le verrouillage de tambour comme l'indique l'illustration.

REMARQUE : voyez la page 26 pour des détails sur la façon d'utiliser le verrouillage de tambour.

8. Deslice el seguro del tambor (JJ) sobre el eje y asíéntelo contra la base del seguro del tambor. Ubique el seguro del tambor como se muestra.

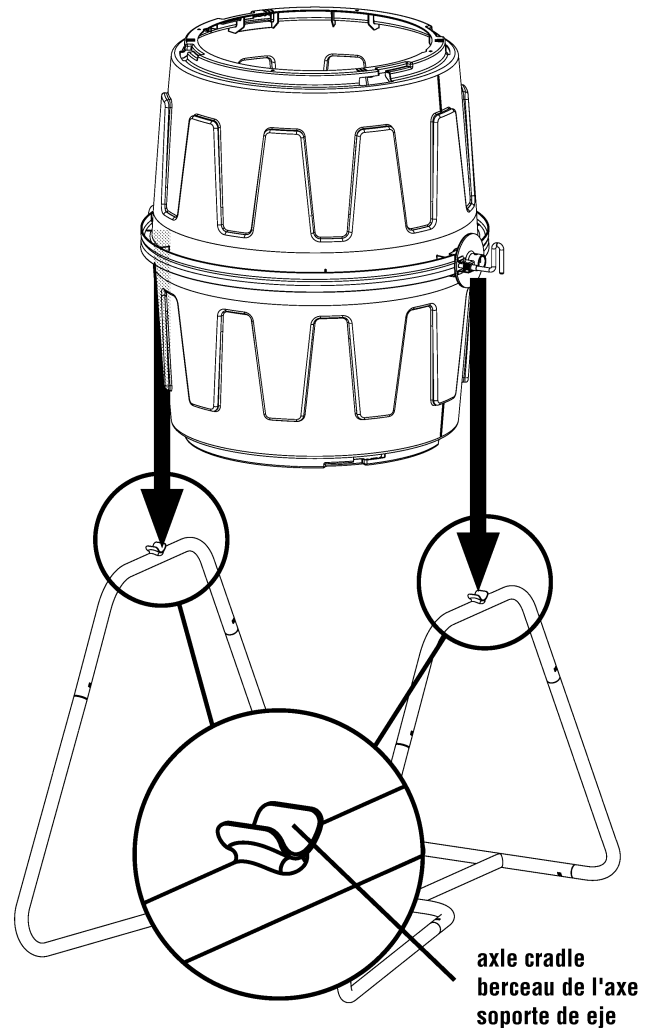
NOTA: Vea la página 26 para obtener instrucciones detalladas de cómo usar el seguro del tambor.



9. Lift barrel assembly and place axle ends on axle cradles. Align bolt holes in axle with bolt holes in axle cradles.

9. Soulevez l'assemblage de tambour et placez les extrémités de l'axe sur les berceaux de l'axe. Alignez les trous de boulon dans l'axe aux trous de boulon des berceaux de l'axe.

9. Levante el ensamblaje del tambor y coloque los extremos del eje sobre los soportes de eje. Alinee los agujeros de perno en el eje con los agujeros de perno en los soportes de eje.



10. At Drum Lock, fasten barrel assembly to frame with Hex Head Cap Screw (AA) and 3/8" Hex Nut (NN). Tighten with adjustable crescent wrench (not supplied) and 9/16" wrench (not supplied).

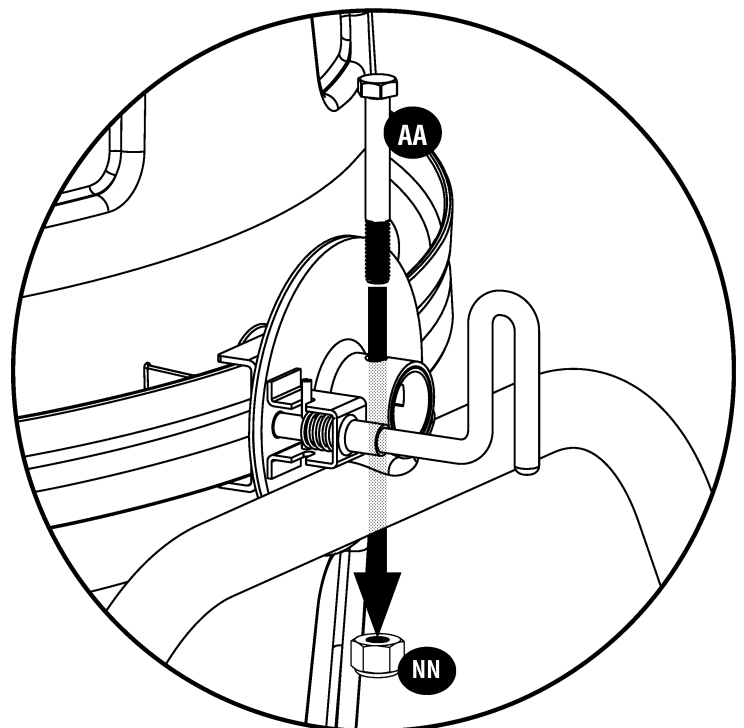
Do not overtighten.

10. Au niveau du verrouillage de tambour, fixez le tambour au cadre à l'aide d'une vis à tête hexagonale (AA) et d'un écrou hexagonal de 3/8 po (NN). Resserrez le tout à l'aide d'une clé à molette réglable (non fournie) et d'une clé de 9/16 po (non fournie).

Ne serrez pas trop fort.

10. En el seguro del tambor, fije el ensamblaje del tambor a la estructura con el tornillo de cabeza hexagonal (AA) y la tuerca hexagonal de 3/8 pulg. (NN). Apriete con la llave ajustable (no provista) y la llave de 9/16 pulg.

No apriete más de lo necesario.



- 11.** At Spacer, fasten barrel assembly to frame with Hex Head Cap Screw (AA) and 3/8" Hex Nut (NN). Tighten with adjustable crescent wrench (not supplied) and 9/16" wrench (not supplied).

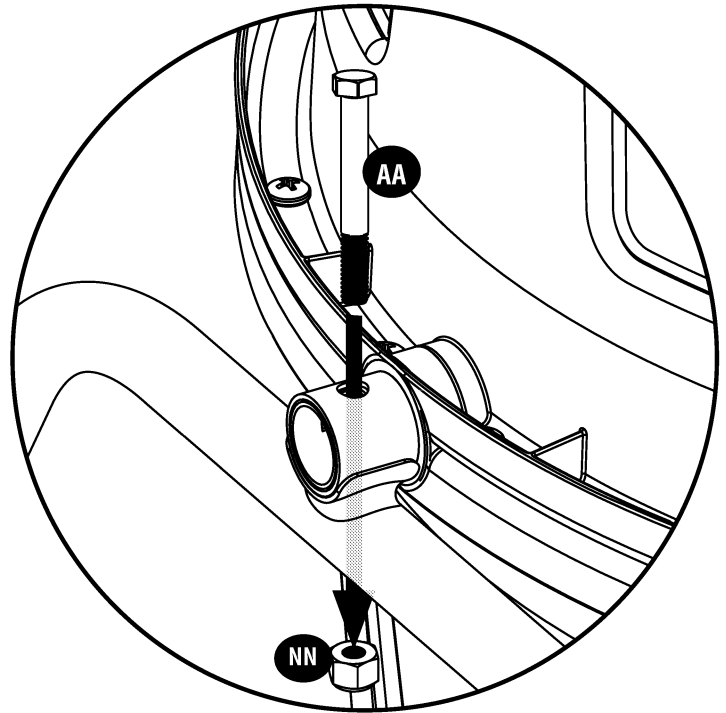
Do not overtighten.

- 11.** Au niveau de l'entretoise, fixez le tambour au cadre à l'aide d'une vis à tête hexagonale (AA) et d'un écrou hexagonal de 3/8 po (NN). Resserrez le tout à l'aide d'une clé à molette réglable (non fournie) et d'une clé de 9/16 po (non fournie).

Ne serrez pas trop.

- 11.** En el espaciador, fije el ensamble del tambor a la estructura con el tornillo de cabeza hexagonal (AA) y la tuerca hexagonal de 3/8 pulg. (NN). Apriete con la llave ajustable (no provista) y la llave de 9/16 pulg. (no provista).

No apriete demasiado.



- 12.** At angle shown, insert Lid Lock (KK) into receptacle in Lid (I).

Twist Lid Lock to orient 'CLOSE' text to top of Lid.

Press down and slide toward center of Lid to snap in place.

- 12.** À l'angle indiqué, insérez le verrouillage du couvercle (KK) dans le socle de fixation sur le couvercle. (I).

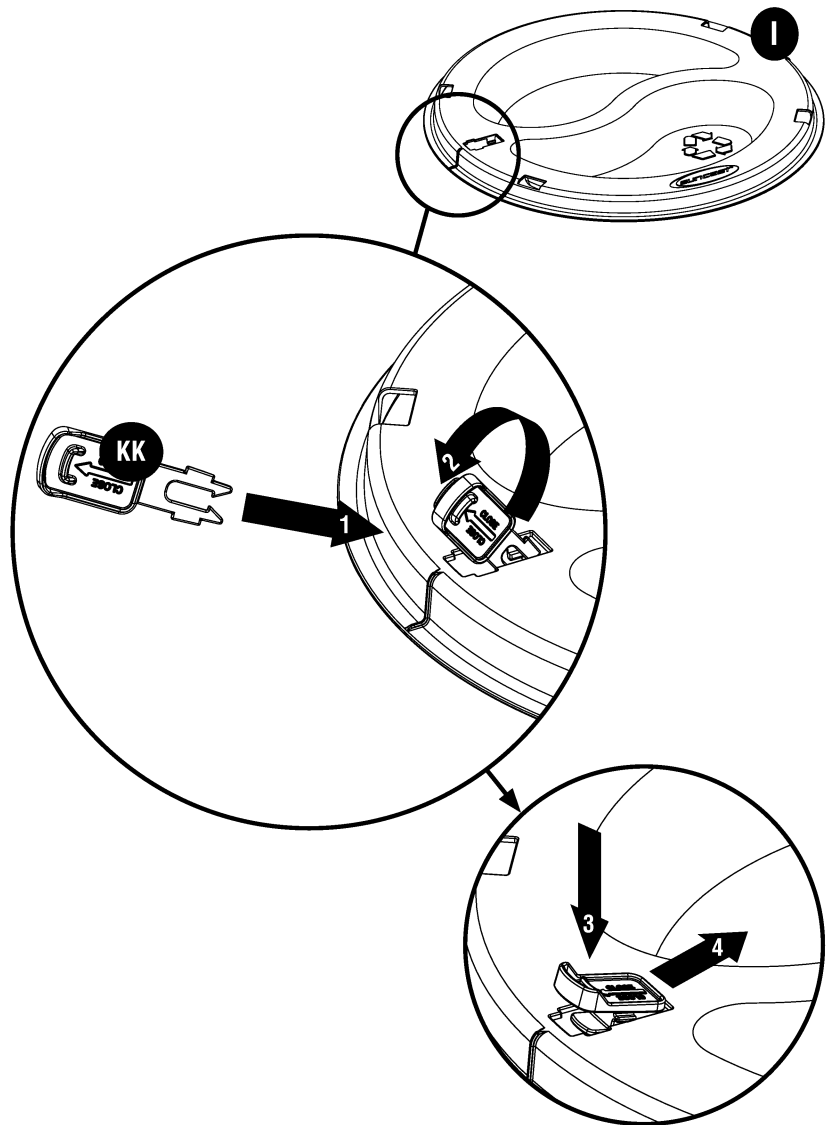
Tournez le verrouillage du couvercle de manière à orienter le texte « CLOSE » (fermer) en haut du couvercle.

Appuyez et glissez vers le centre du couvercle pour l'enclencher en place.

- 12.** En el ángulo que se muestra, inserte el seguro de la tapa (KK) dentro del receptáculo de la tapa (I).

Gire el seguro de la tapa de manera que el texto "CLOSE" (cerrar) se oriente hacia la parte superior de la tapa.

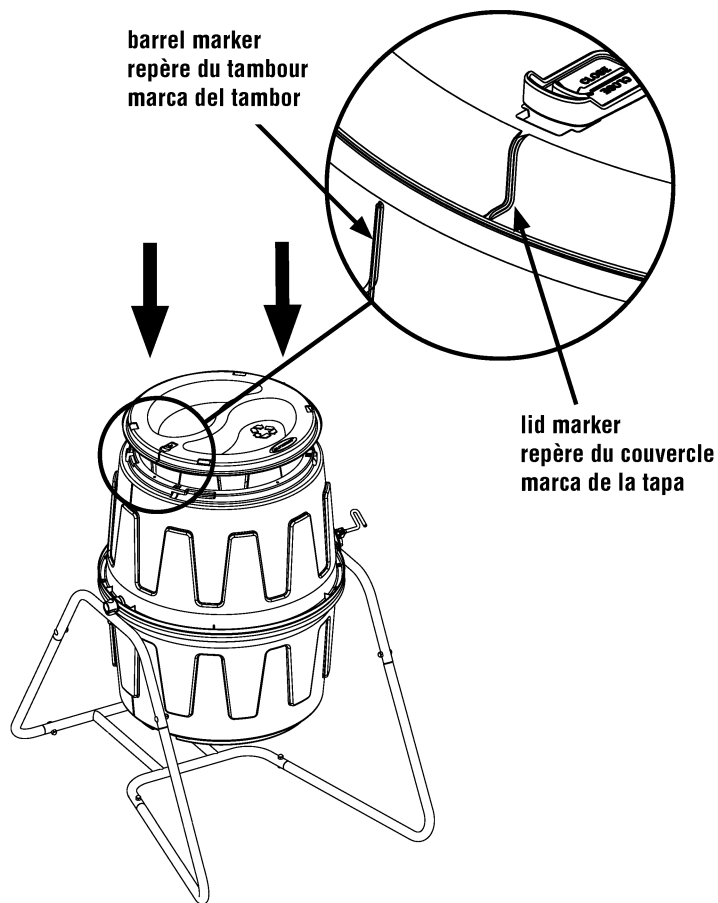
Presione hacia abajo y deslice hacia el centro la tapa para que encaje en su lugar.



13. Place Barrel Lid on barrel assembly with Lid and barrel markers in positions shown. See illustration.

13. Placez le couvercle de tambour sur l'assemblage du tambour avec les repères du couvercle et du tambour dans les positions indiquées. Voyez l'illustration.

13. Coloque la tapa del tambor en el ensamblaje del tambor con las marcas de la tapa y el tambor en las posiciones mostradas. Vea la ilustración.



14. Turn Barrel Lid clockwise until Lid and barrel markers are aligned.

To lock lid in place, slide Lid Lock (CLOSE) toward aligned markers.

NOTE: Lid can fall off during tumbling if not securely locked.

14. Tournez le couvercle du tambour dans le sens des aiguilles d'une montre jusqu'à ce que les repères du couvercle et du tambour soient alignés.

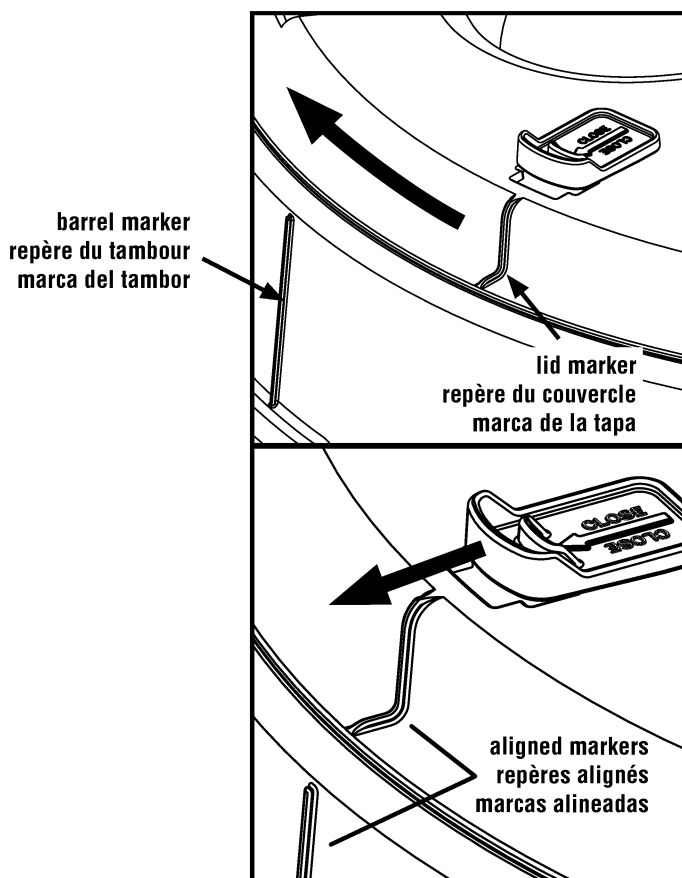
Pour verrouiller le couvercle en place, glissez le verrou du couvercle (CLOSE) en direction des repères alignés.

REMARQUE : Le couvercle peut tomber au cours du basculement s'il n'est pas bien verrouillé.

14. Gire la tapa del tambor en el sentido de las manecillas del reloj hasta que las marcas de la tapa y el tambor estén alineadas.

Para asegurar la tapa, deslice el seguro de la tapa (CLOSE) hacia las marcas alineadas.

NOTA: La tapa puede caerse al voltear el tambor oscilante si no está asegurada firmemente.



- 15. CAUTION:** Never tumble the barrel without insuring that other people and pets are clear of the barrel. Keep your hands and fingers away from pinch points at frame to barrel connections.

Flip barrel 1/2 turn.

Repeat steps 12 - 14 to install remaining Barrel Lid (I).

- 15. AVERTISSEMENT :** Ne faites jamais basculer le tambour avant de vous être assuré que les autres personnes et les animaux domestiques sont à bonne distance du tambour. Tenez les mains et les doigts à distance du point de traction aux raccordements du cadre et du tambour.

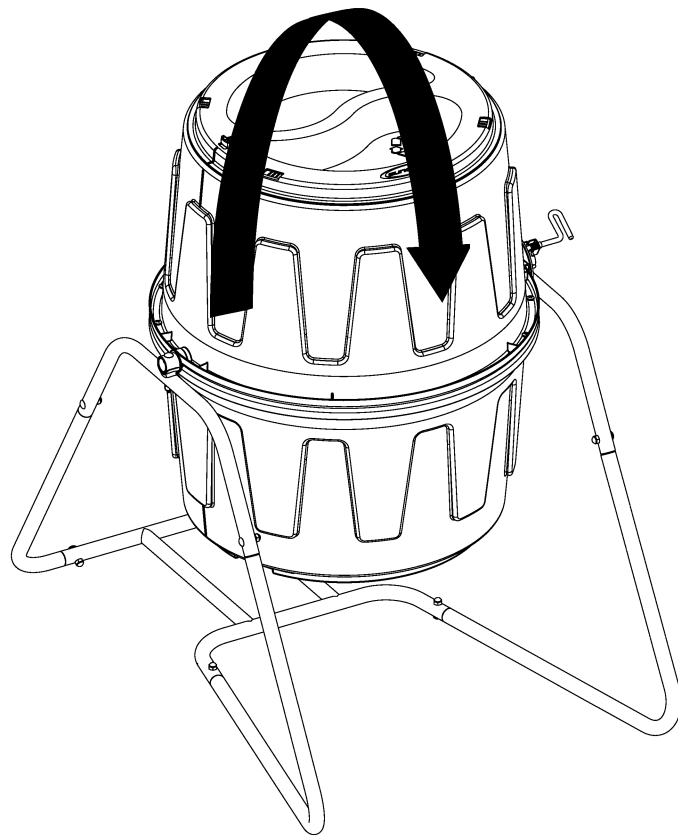
Donnez un demi-tour au tambour.

Répétez les étapes 12 à 14 pour installer l'autre couvercle de tambour (I).

- 15. PRECAUCIÓN:** Nunca inicie el movimiento oscilante del tambor sin antes asegurarse de que no haya personas ni mascotas cerca del tambor. Mantenga las manos y los dedos alejados de los puntos de pellizco de la estructura a las conexiones del tambor.

Gire el tambor 1/2 vuelta.

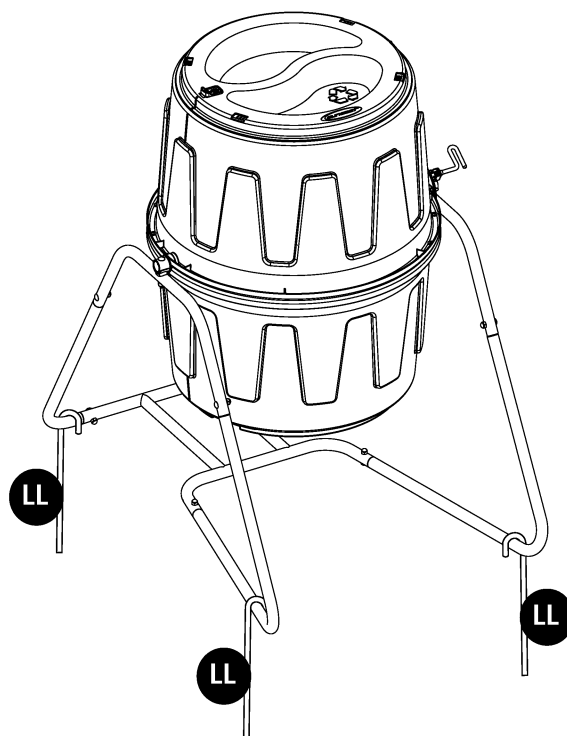
Repita los pasos 12 a 14 para instalar la tapa de tambor restante (I).



- 16. Optional - Stake (LL) frame at 4 corners.**
See illustration.

- 16. Optionnel - Fixez le cadre aux quatre coins avec des piquets (LL).** Voyez l'illustration.

- 16. Opcional - Coloque estacas (LL) para la estructura en 4 puntos.** Vea la ilustración.

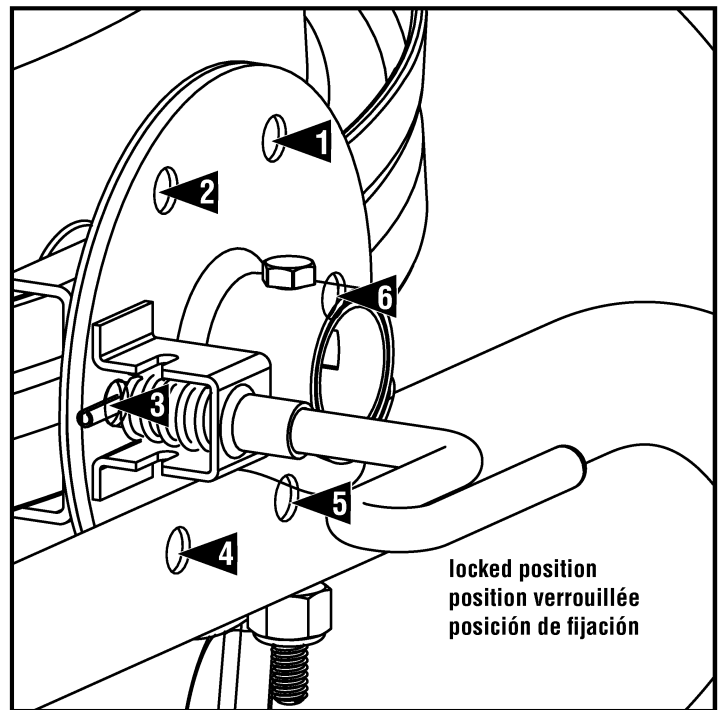


BARREL LOCKING MECHANISM / MÉCANISME DE VERROUILLAGE DU TAMBOUR / MECANISMO DE FIJACIÓN DEL TAMBOR

The barrel of the Tumbling Composter can be locked in one of 6 positions. See illustration.

Le tambour du composteur basculant peut être bloqué dans l'une des 6 positions. Voyez l'illustration.

El tambor del compostador oscilante puede fijarse en una de 6 posiciones. Vea la ilustración.



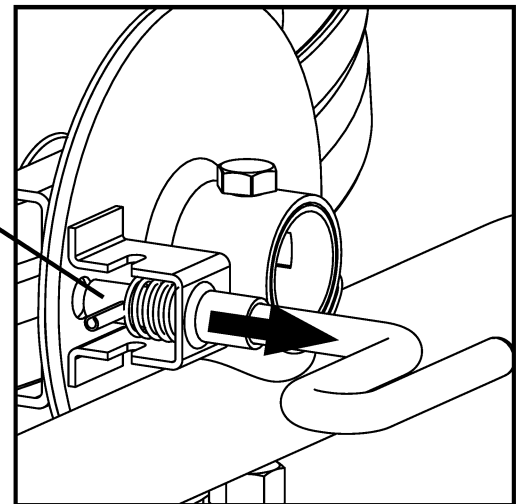
UNLOCK BARREL / DÉVERROUILLAGE DU TAMBOUR / TAMBOR SIN SEGURO

1. Pull handle away from barrel to release spring bolt.

1. Tirez la poignée du tambour pour libérer le pêne à ressort.

1. Tire de la manija del tambor para liberar el cerrojo de resorte.

spring bolt
pêne à ressort
cerrojo de resorte

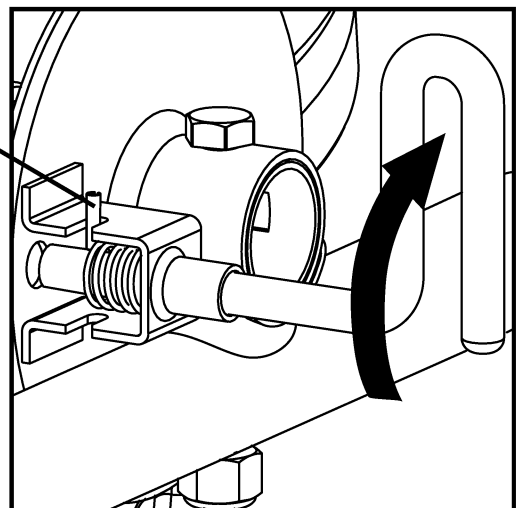


2. To hold spring bolt in unlocked position, turn the handle to secure locking pin in groove.

2. Pour maintenir le pêne à ressort en position de déverrouillage, tournez la poignée afin de coincer la goupille de verrouillage dans la rainure.

2. Para mantener el cerrojo de resorte en la posición sin seguro, dé vuelta a la manija para asegurar el pasador en la canaleta.

locking pin
goupille de verrouillage
pasador



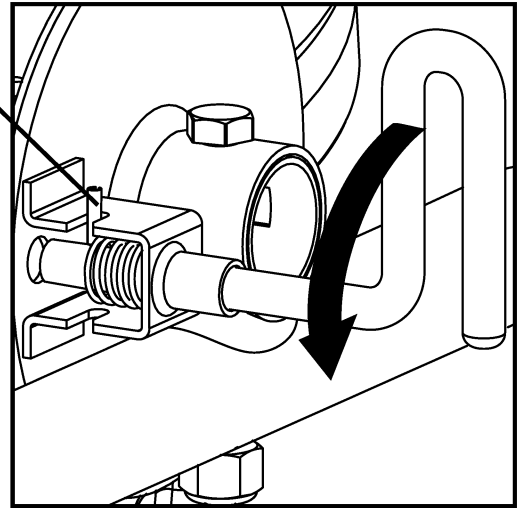
LOCK BARREL / VERROUILLAGE DU TAMBOUR / TAMBOR CON SEGURO

1. Turn handle to release locking pin.

1. Tournez la poignée pour libérer la goupille de verrouillage.

1. Gire la manija para liberar el pasador.

locking pin
goupille de verrouillage
pasador



2. Release the handle over one of the 6 locking positions to engage spring bolt.

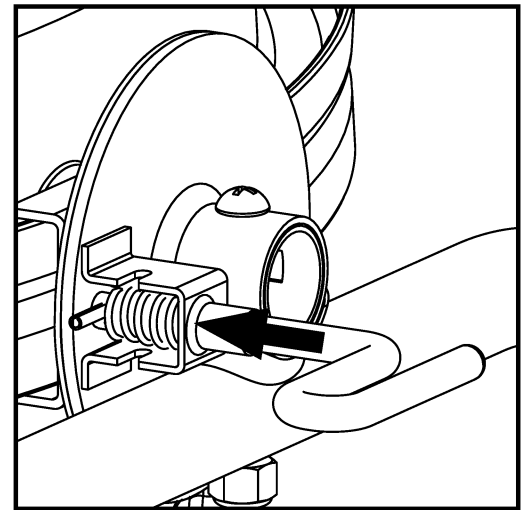
NOTE: Always lock barrel in upright position after each use.

2. Libérez la poignée sur l'une des 6 positions de verrouillage pour engager le pêne à ressort.

REMARQUE : verrouillez toujours le tambour en position verticale après chaque usage.

2. Suelte la manija sobre una de las 6 posiciones de seguro para enganchar el cerrojo de resorte.

NOTA: Fije siempre el tambor en posición vertical después de cada uso.



Like any other agricultural endeavor, your success in creating compost with the Tumbling Composter is dependent upon a number of factors, including; correct mixture of appropriate materials, particle size, amount of air and water, climate, exposure to adverse conditions, consistency in care, etc. While this product has been designed to assist you in your efforts in creating compost, Suncast cannot guarantee your results will be to your satisfaction.

Pour réussir à faire du compost avec ce composteur basculant, vous devrez tenir compte de plusieurs éléments, notamment : vous devrez disposer du bon mélange des matériaux adéquats, de particules de taille adéquate, d'une quantité appropriée d'air et d'eau, vous devez jouir d'un climat adéquat, votre compost ne devra pas être exposé à des conditions défavorables, vous devrez en prendre soin de manière régulière, etc. Bien que ce produit ait été conçu pour vous aider à créer du compost, Suncast ne peut pas garantir vos résultats.

Al igual que con cualquier otra tarea agrícola, el éxito en la creación de abono vegetal con este tambor compostador oscilante depende de una serie de factores, entre ellos la mezcla correcta de los materiales apropiados, el tamaño de las partículas, la cantidad de aire y agua, el clima, la exposición a condiciones adversas, la constancia en el cuidado, etc. Si bien este producto se ha diseñado para ayudarle a crear abono vegetal, Suncast no puede garantizar resultados satisfactorios para usted.

Suncast Products and Replacement Parts

To purchase Suncast replacement parts and learn about other Suncast products visit us online or call.



Produits et pièces de rechange Suncast

Pour acheter des pièces de rechange Suncast et pour plus de renseignements sur les produits Suncast, consultez notre site internet ou appelez-nous.

Productos y piezas de repuesto Suncast

Para comprar piezas de repuesto Suncast y para obtener información acerca de otros productos Suncast, visítenos en línea o llámenos.



www.suncast.com
24 hours a day, 7 days a week, 365 days a year.
www.suncast.com
24h/24, 7j/7, 365 jours par an.
www.suncast.com
24 horas al día, 7 días a la semana, 365 días al año.



1-800-846-2345 or 1-630-879-2050
Mon - Fri 6 am - 8 pm, Sat 8 am - 5 pm, Sun Noon - 5 pm CST
1-800-846-2345 ou 1-630-879-2050
LUN - VEN 6h - 20h, SAM 8h - 17h, DIM 12h - 17h HC
1-800-846-2345 ó 1-630-879-2050
LUN - VIE 6 am - 8 pm, SÁB 8 am - 5 pm, DOM 12 am - 5 pm HC

Quality Control Number:
Numéro de contrôle de qualité:
Número de control de calidad: