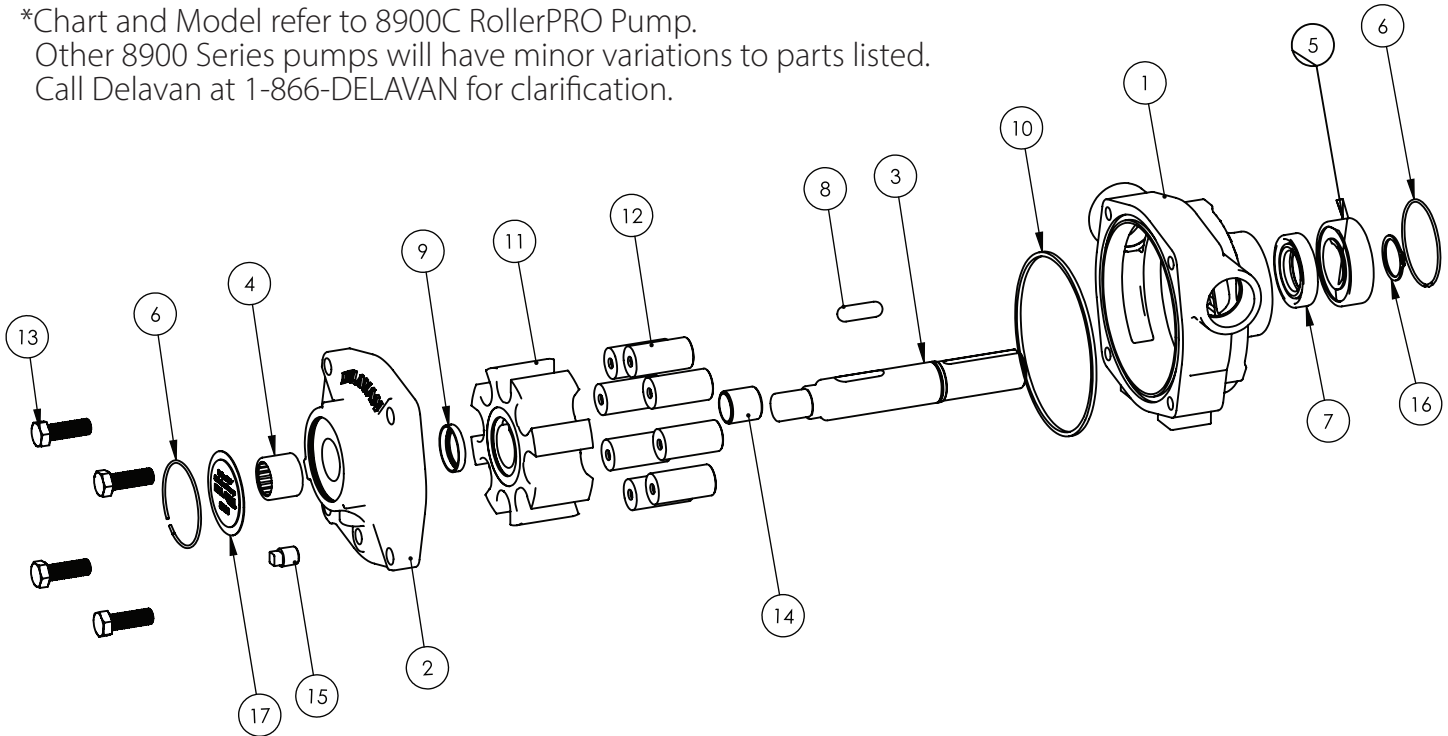


Replacement Parts

ITEM NO.	PART NUMBER	DESCRIPTION	QTY.
1	33801	BODY,MACHINED,8R,CI,CCW,FORWARD,1" PORTS	1
2	34804	END PLATE,MACHINED,8R,CI,CCW,FORWARD	1
3	31810	SHAFT,410SS,7/8R, ROLLER PRO	1
4	38801	NEEDLE BEARING, END PLATE	1
5	16228	BEARING,RADIAL BALL,52MM,RUBBER SEALS	1
6	15334	SNAP RING, LARGE	2
7	47927	LIP SEAL, VITON	1
8	31811	PILL KEY,SHAFT,410SS,.365",SOFT	1
9	37801	OIL SEAL, END PLATE SHAFT	1
10	24829	SEAL RING, 7R & 8R	1
11	36851	ROTOR, OVERMOLD, 8R, GRILAMID LV-30	1
12	35801	ULTRA ROLLER, 3/4",GRILAMID	8
13	15341	CAPSCREW, 3/8-16 X 1-1/8 HX, GR. 5 ZP	4
14	38802	RING ON PRO SHAFT	1
15	25785	PIPE PLUG, 1/8 NPT SQUARE, ZP	1
16	26547	RETAINING RING, 63/64 SH	1
17	40810-1	NAMEPLATE,8R,CI,ROLLER PRO,8900C	1

*Chart and Model refer to 8900C RollerPRO Pump.
Other 8900 Series pumps will have minor variations to parts listed.
Call Delavan at 1-866-DELAVAN for clarification.



Delavan Fluid Power offers the following repair kits for our RollerPRO 8900 Series Pump

RK-8900 - Eight Roller Repair Kit PRO		
QTY	Part Number	Description
8	35801	ULTRA ROLLER
1	47927	Lip Seal, Viton
1	37801	Oil Seal, End Plate
1	24829	Seal Ring
1	31811	Pill Key, Shaft
1	38801	Needle Bearing

RK-31810-RT - SHAFT AND ROTOR REPAIR KIT		
QTY	Part Number	Description
1	31810	SHAFT, 410SS
1	16228	BEARING, RADIAL BALL
1	47927	LIP SEAL, VITON
1	31811	PILL KEY, SHAFT
1	37801	OIL SEAL END PLATE
1	36851	ROTOR, OVERMOLDED
1	38802	RING FOR PRO SHAFT
1	26547	RETAINING RING 63/64