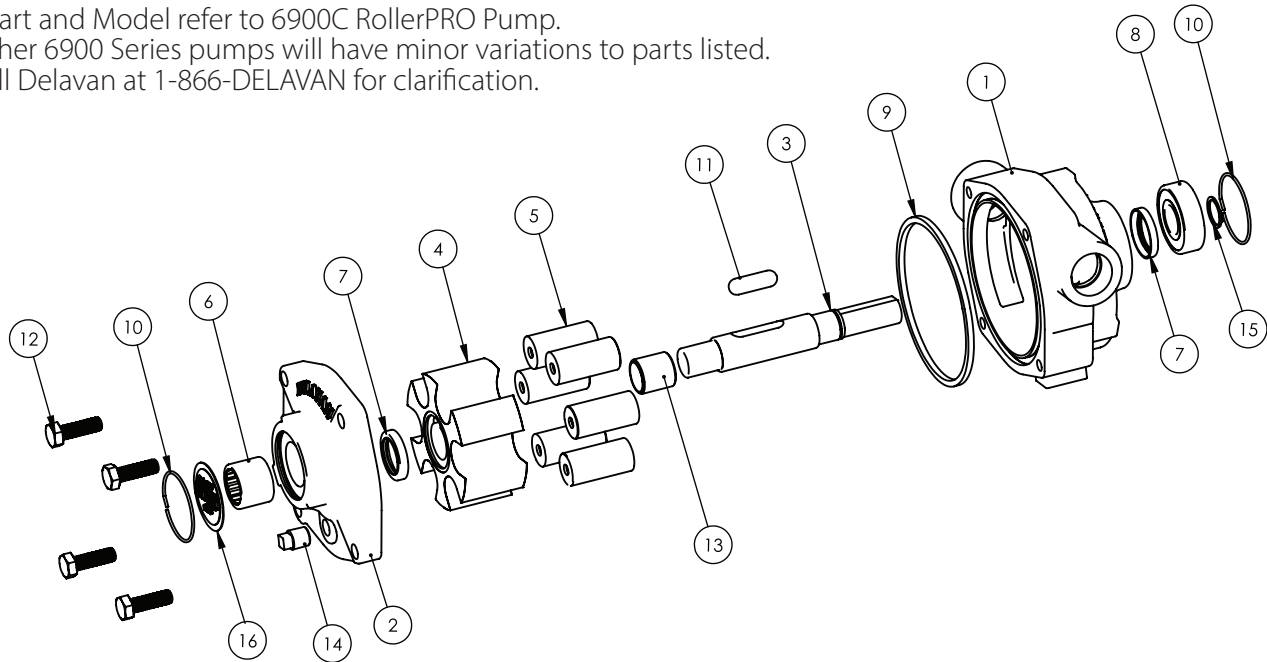


# Replacement Parts

ITEM NO.	PART NUMBER	DESCRIPTION	QTY.
1	33601	BODY,MACHINED,6R,CI,CCW,FORWARD,3/4PORTS	1
2	34604	END PLATE, MACHINED,6R,CI,CCW,FORWARD	1
3	31610	SHAFT,410SS,6R,ROLLER PRO	1
4	36651	ROTOR, OVERMOLD, 6R, GRILAMID	1
5	35801	ULTRA ROLLER, 3/4",GRILAMID	6
6	38801	NEEDLE BEARING, END PLATE	1
7	37801	OIL SEAL, END PLATE SHAFT	2
8	15072	BEARING,RADIAL BALL,40MM,RUBBER SEALS	1
9	24819	SEAL RING, 6R	1
10	15070	SNAP RING, SMALL	2
11	31811	PILL KEY,SHAFT,410SS,.365",SOFT	1
12	15077	CAPSCREW, 5/16-18 X 1 HX, GR. 2 ZP	4
13	38802	RING ON PRO SHAFT	1
14	25785	PIPE PLUG, 1/8 NPT SQUARE, ZP	1
15	SH-62SS	RETAINING RING, 6R	1
16	40610-1	NAMEPLATE,6R,CI,ROLLER PRO,6900C	1

\*Chart and Model refer to 6900C RollerPRO Pump.  
Other 6900 Series pumps will have minor variations to parts listed.  
Call Delavan at 1-866-DELAVAN for clarification.



Delavan Fluid Power offers the following repair kits for our RollerPRO 6900 Series Pump

RK-6900 - Six Roller Repair Kit PRO			
QTY	PART NUMBER	DESCRIPTION	
6	(5) 35801	3/4" ULTRA ROLLER	
2	(7) 37801	SEAL	
1	(9) 24819	O RING	
1	(11) 31811	SHAFT PILL KEY	
1	(6) 38801	NEEDLE BEARING	

RK-31610-RT - Shaft and Rotor Repair Kit			
QTY	PART NUMBER	DESCRIPTION	
1	(4) 36651	ROTOR	
1	(11) 31811	SHAFT PILL KEY	
1	(8) 15072	BEARING	
1	(15) SH-62SS	RETAINING RING	
2	(7) 37801	SEAL	
1	(13) 38802	SHAFT RING	
1	(3) 31610	6900 ROLLER PUMP SHAFT	