

WHELEN[®]

ENGINEERING COMPANY INC.

51 Winthrop Road
Chester, Connecticut 06412-0684
Phone: (860) 526-9504
Fax: (860) 526-4078
Internet: www.whelen.com
Sales e-mail: autosale@whelen.com
Canadian Sales e-mail: canadiansales@whelen.com
Customer Service e-mail: custserv@whelen.com

Installation Guide:
Century™ Mini Lightbar
Models: MC23**
MC16**
MC11**

Safety First

This document provides all the necessary information to allow your Whelen product to be properly and safely installed. Before beginning the installation and/or operation of your new product, the installation technician and operator must read this manual completely. Important information is contained herein that could prevent serious injury or damage.

- **Proper installation of this product requires the installer to have a good understanding of automotive electronics, systems and procedures.**
- **Failure to use specified installation parts and/or hardware will void the product warranty!**
- **If mounting this product requires drilling holes, the installer MUST be sure that no vehicle components or other vital parts could be damaged by the drilling process. Check both sides of the mounting surface before drilling begins. Also de-burr any holes and remove any metal shards or remnants. Install grommets into all wire passage holes.**
- **If this manual states that this product may be mounted with suction cups, magnets, tape or Velcro®, clean the mounting surface with a 50/50 mix of isopropyl alcohol and water and dry thoroughly.**
- **Do not install this product or route any wires in the deployment area of your air bag. Equipment mounted or located in the air bag deployment area will damage or reduce the effectiveness of the air bag, or become a projectile that could cause serious personal injury or death. Refer to your vehicle owner's manual for the air bag deployment area. The User/Installer assumes full responsibility to determine proper mounting location, based on providing ultimate safety to all passengers inside the vehicle.**
- **For this product to operate at optimum efficiency, a good electrical connection to chassis ground must be made. The recommended procedure requires the product ground wire to be connected directly to the NEGATIVE (-) battery post.**
- **If this product uses a remote device to activate or control this product, make sure that this control is located in an area that allows both the vehicle and the control to be operated safely in any driving condition.**
- **Do not attempt to activate or control this device in a hazardous driving situation.**
- **This product contains either strobe light(s), halogen light(s), high-intensity LEDs or a combination of these lights. Do not stare directly into these lights. Momentary blindness and/or eye damage could result.**
- **Use only soap and water to clean the outer lens. Use of other chemicals could result in premature lens cracking (crazing) and discoloration. Lenses in this condition have significantly reduced effectiveness and should be replaced immediately. Inspect and operate this product regularly to confirm its proper operation and mounting condition. Do not use a pressure washer to clean this product.**
- **It is recommended that these instructions be stored in a safe place and referred to when performing maintenance and/or reinstallation of this product.**
- **FAILURE TO FOLLOW THESE SAFETY PRECAUTIONS AND INSTRUCTIONS COULD RESULT IN DAMAGE TO THE PRODUCT OR VEHICLE AND/OR SERIOUS INJURY TO YOU AND YOUR PASSENGERS!**

For warranty information regarding this product, visit www.whelen.com/warranty

IMPORTANT! The lightbar should be a minimum of 16" from any radio antennas!

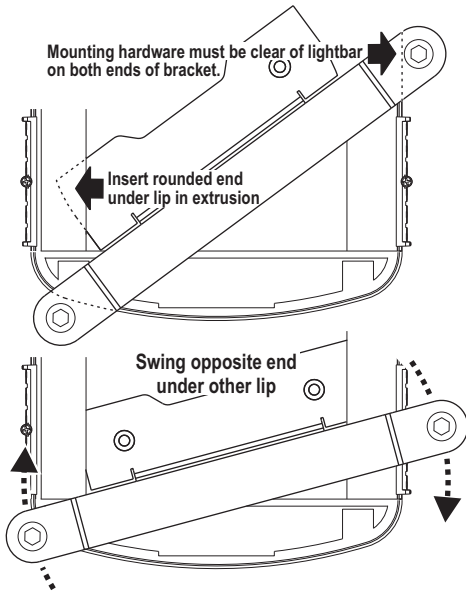
Permanent Mounting / Bracket or Stud Mount:

This mounting style requires removal of the headliner. There may be a roof support member that runs from the drivers to the passengers side of the vehicle. **Do not drill through this member.**

Caution: Permanent mounting of this product will require drilling. Be absolutely sure that no other vehicle components could be damaged by this process. Check both sides of the mounting surface before starting. If damage is likely, select a different mounting location.

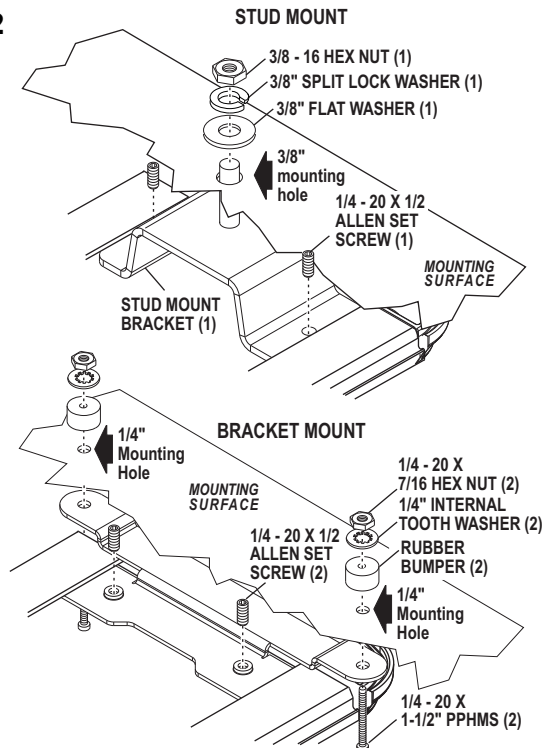
1. Insert the 2 stud mounts (or brackets) under the lip in the bottom of the extrusion. (rounded end first) and pivot the bracket so that the other end slides under the other lip in the extrusion (Fig. 1). The mounting hardware must be clear of the lightbar to get the bracket into the extrusion.

Fig. 1



2. Make sure that the brackets are sitting all the way at each end of the extrusion, then secure them with the supplied allen set screws.
3. Place the lightbar in the exact mounting location. Mark the location of the 2 (or 4) mounting holes onto the mounting surface, and the area for the wire passage hole. This hole should be located directly below where the wires exit the extrusion.

Fig. 2



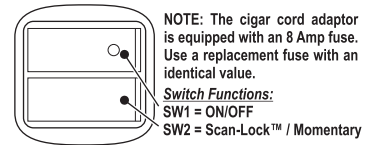
4. Remove the lightbar and drill the mounting holes (Fig. 2) as well as the 5/16" dia. wire passage hole. De-burr all the holes and install a rubber grommet (customer supplied) into the wire passage hole.
5. Route the wires through the grommet and to the necessary switches and power source as shown in the wiring diagram.
6. Secure the lightbar to the vehicle using the hardware provided. From the underside of the mounting surface, apply RTV around each mounting hole and the grommetted wire passage hole.

IMPORTANT! It is the responsibility of the installation technician to make sure that the installation and operation of this product will not interfere with or compromise the operation or efficiency of any vehicle equipment! Before returning the vehicle to active service, visually confirm the proper operation of this product, as well as all vehicle components/equipment.

Temporary Mount (Magnetic or Suction Cup):

WARNING: The use of any magnetically mounted warning device on the outside of a vehicle in motion is not recommended and is at the sole risk and responsibility of the user.

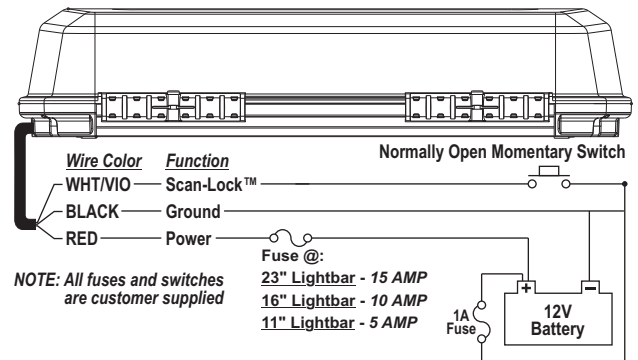
Magnetic/suction: Thoroughly clean the proposed mounting surface prior to mounting. For suction cup mounting, wipe the suction cup clean, place the beacon onto its mounting surface and apply gentle pressure to ensure a good seal has been achieved. The Magnetic/Suction Cups mount the same way as standard suction cups but are best suited to a flat, steel surface. **Magnetic:** Place the lightbar onto the mounting surface and plug it into the vehicle cigar lighter.



NOTE: Insert into the base the same as the permanent mount brackets.

Wiring:

WARNING! All customer supplied wires that connect to the positive terminal of the battery must be sized to supply at least 125% of the maximum operating current and FUSED at the battery to carry the load. DO NOT USE CIRCUIT BREAKERS WITH THIS PRODUCT!



Scan-Lock™:

To operate Scan-Lock™, switch the lightbar on. Magnetic and Suction mount models use a momentary switch on the cigar plug instead of a Scan-Lock wire.

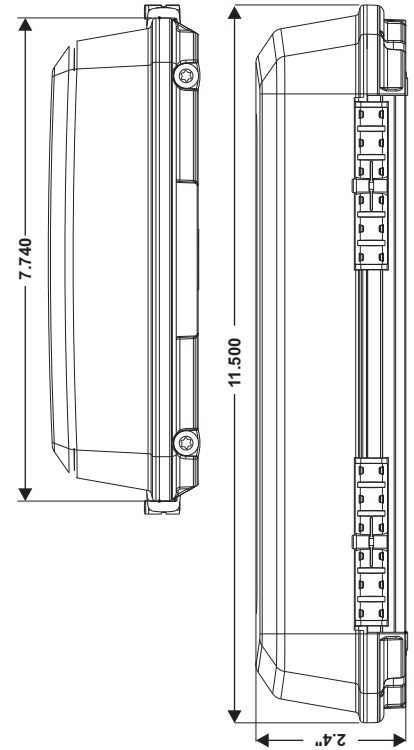
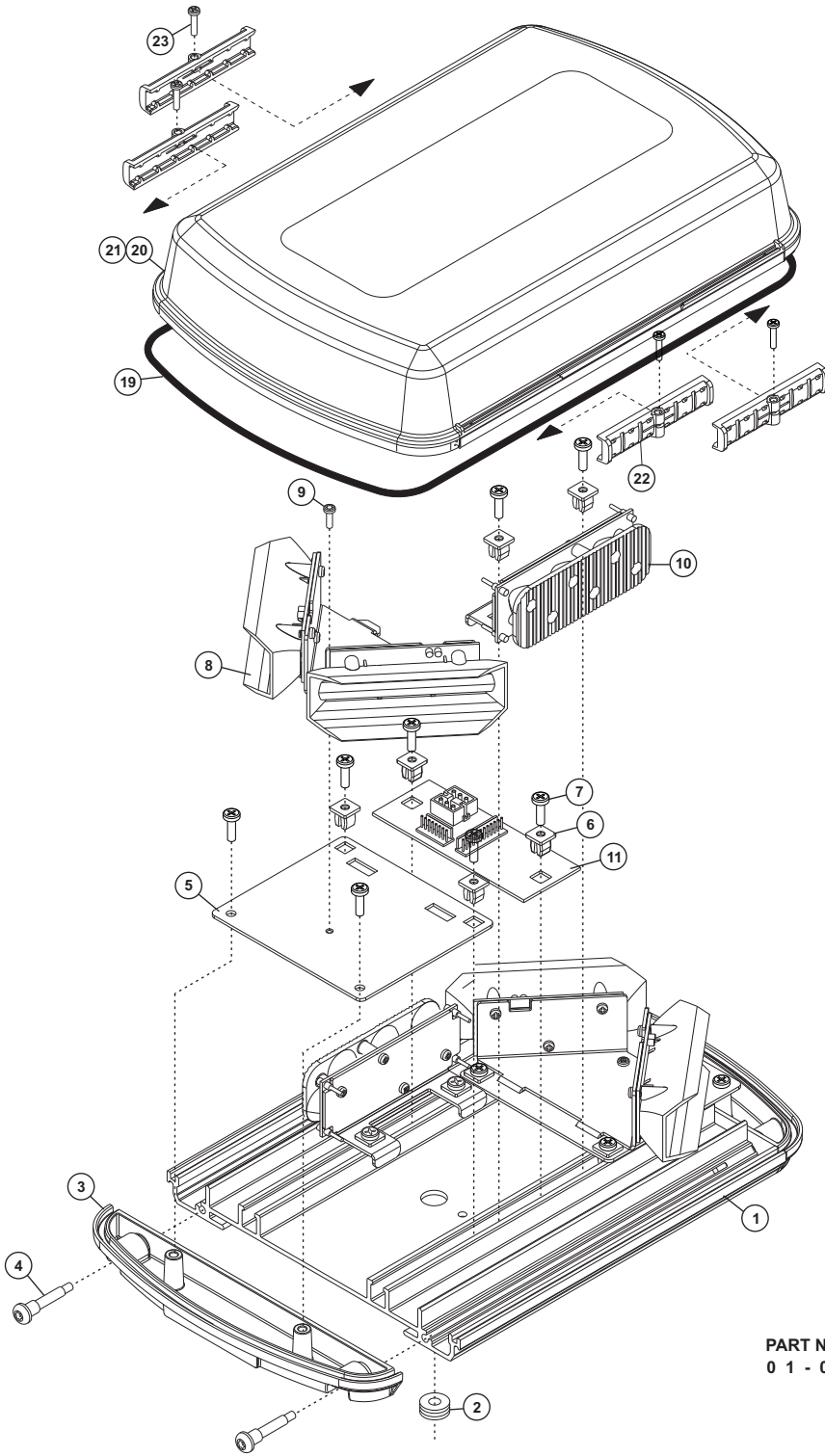
TO CHANGE PATTERNS: To cycle forward apply +12 VDC to the WHT/VIO wire (or switch) for less than 1 second and release. To cycle back to the previous pattern apply +12 VDC to WHT/VIO wire for over 1 second.

TO CHANGE THE DEFAULT PATTERN: When the desired pattern is displayed, allow it to run for more than 5 seconds. The lighthead will now display this pattern when initially activated.

TO RESTORE THE FACTORY DEFAULT PATTERN: With power off, apply +12 VDC to the WHT/VIO wire (or switch). While continuing to apply power to Scan-Lock™ turn lighthead(s) on. The factory default pattern will be displayed.

- Available Flash Patterns:**
- | | | |
|--------------------|---------------------|----------------------|
| 1. SignalAlert™ 75 | 6. LongBurst™ 75 | 12. DoubleFlash 150 |
| 2. CometFlash® 75 | 7. PingPong™ 75 | 13. ComAlert™ 150 |
| 3. DoubleFlash 75 | 8. SingleFlash 60 | 14. ActionFlash™ 50 |
| 4. SingleFlash 75 | 9. SingleFlash 90 | 15. ActionFlash™ 150 |
| 5. ComAlert™ 75 | 10. SingleFlash 120 | 16. ModuFlash™ |
| | 11. SingleFlash 300 | 17. ActionScan™ |

IMPORTANT WARNING!
CAUTION! DO NOT LOOK DIRECTLY AT THESE LED'S WHILE THEY ARE ON. MOMENTARY BLINDNESS AND/OR EYE DAMAGE COULD RESULT!



PART NUMBER KEY:
0 1 - 0 6 8 7 1 2 0 -

LED/DOME COLOR
A = AMB/AMB
1 = AMB/CLR

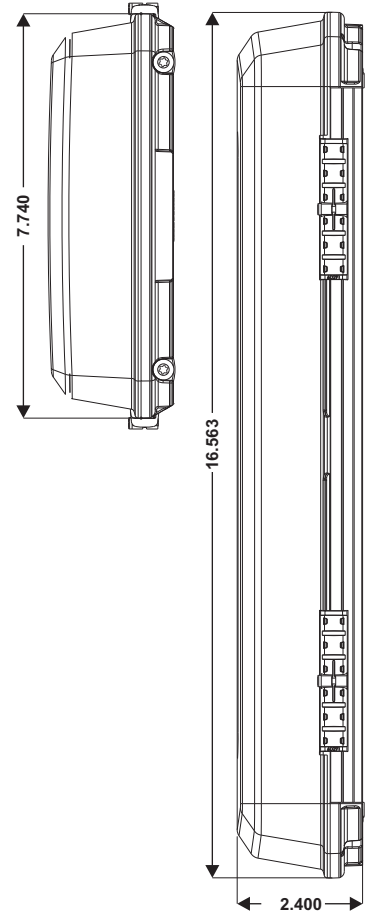
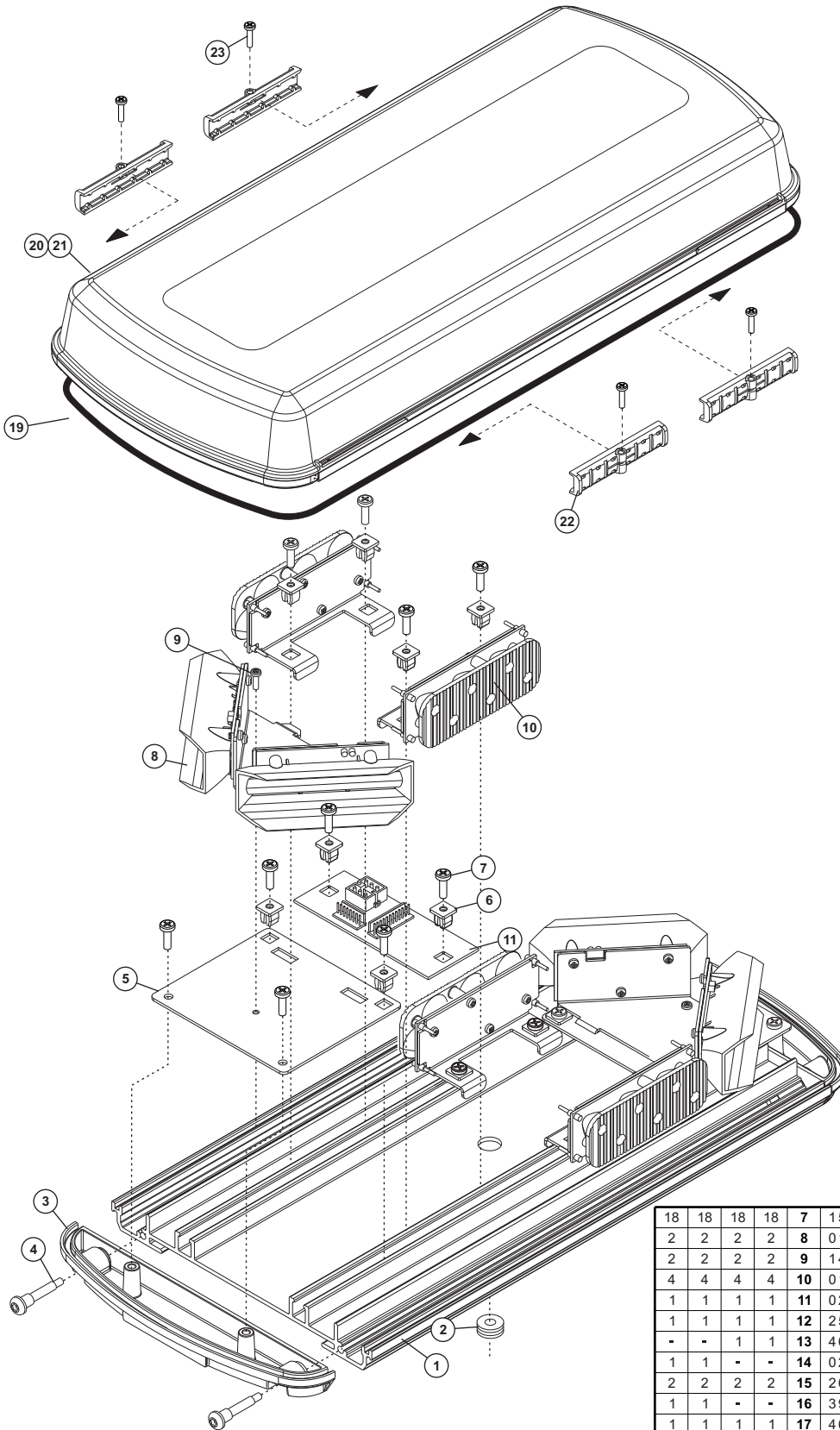
MOUNTING

LED/DOME COLOR

MOUNTING
P = PERM
S = STUD
M = MAG
V = VAC

QTY	QTY	QTY	QTY	ITEM	PART NUMBER	DESCRIPTION
		*			01-0687120-_P	CENTURY AMBER ESSENTIALS, 11" PERM MT
		*			01-0687120-_S	CENTURY AMBER ESSENTIALS, 11" STUD MT
	*				01-0687120-_M	CENTURY AMBER ESSENTIALS, 11" MAG MT
*					01-0687120-_V	CENTURY AMBER ESSENTIALS, 11" VAC MT
1	1	1	1	1	11-36D692-008	EXTRUSION, MACHINED 11" CENTURY LIGHTBAR
1	1	1	1	2	21-11101610-0	GROMMET, 5/16 ID X 1/2 HOLE
2	2	2	2	3	02-0344217-00	SUB ASSY, ENDCAP/WHELEN LABEL CENTURY LIGHTBAR
4	4	4	4	4	14-104286-16J	SCREW, 10-24 X 1.25" WAX DIP SHLDR PHTX TRI PT SS
2	2	2	2	5	07-76D682-000	PLATE, CORNER MOUNT DUAL L32 CENTURY LIGHTBAR
10	10	10	10	6	21-17060704-3	GROMMET, PLASTI- #8/10 .275-.290 SQ HOLE, .057 HD HT
14	14	14	14	7	15-081416-080	SCREW, 8 X 1/2 PPHSMS 410 SS
2	2	2	2	8	01-026D523111	SUB ASSY, 6 LED CORNER AMB/AMB CENTURY LIGHTBAR
2	2	2	2	9	14-040285-063	SCREW, 4-40 X 3/8 TORX PH TRILOBULAR 410 SS, BLK OX
2	2	2	2	10	01-026D679-10	ASSY, 6 TIR 10 X 30, CENTURY LIGHTBAR
1	1	1	1	11	02-016D408-06	ASSY, PCB 4 CH FLASHER 6 WIRE CENTURY LTBAR
1	1	1	1	12	25-0820060-05	COMMONING TAB, 2 POS

-	-	1	1	13	46-0744279-00	ASSY, INPUT PIGTAIL, AMBER ESSENTIALS MINI
1	1	-	-	14	02-0243700-02	CORD, CIGAR PLUG DUAL SW. AMP SCKT'S 10' 20 GA
2	2	2	2	15	26-0215001-06	TY WRAP, 6" BLACK
1	1	-	-	16	39-0406324-04	HOUS, 6 POS SOCKMOTOR MT COMM MATE-N-LOK
1	1	1	1	17	46-0787081-00	ASSY, HARNESS WARNING LIGHTS MINI CENTURY
A/R	A/R	A/R	A/R	18	26-0215001-03	TY WRAP, 3" BLACK
34.25"	34.25"	34.25"	34.25"	19	38-0523713-00	SEAL, EXTRUDED CENTURY LTBAR
A/R	A/R	A/R	A/R	20	68-1987111-10	DOVE, AMBER OPTIC 11" CENTURY
A/R	A/R	A/R	A/R	21	68-1987111-30	DOVE, CLEAR OPTIC 11" CENTURY
4	4	4	4	22	19-36D291-000	CLAMP, SLIDE-LOCK LENS MT CENTURY LIGHTBAR
4	4	4	4	23	15-04541A-080	SCREW, 4 X 1/2 PPH PLASTILOC ZINC BLACK, SS
1	1	1	1	24	10-0523732-000	LABEL, PNM/NSN CENTURY SERIES
-	-	-	1	25	01-0444306-00	KIT, PERM MOUNT, AMBER ESSENTIALS, CENTURY
-	1	-	-	26	01-0444307-00	KIT, MAG. MOUNT, AMBER ESSENTIALS, CENTURY
-	-	1	-	27	01-0444251-01	KIT, STUD MOUNT, AMBER ESSENTIALS, CENTURY
1	-	-	-	28	01-0444308-00	KIT, SUCTION/MAG M, AMBER ESSENT, CENTURY



PART NUMBER KEY:

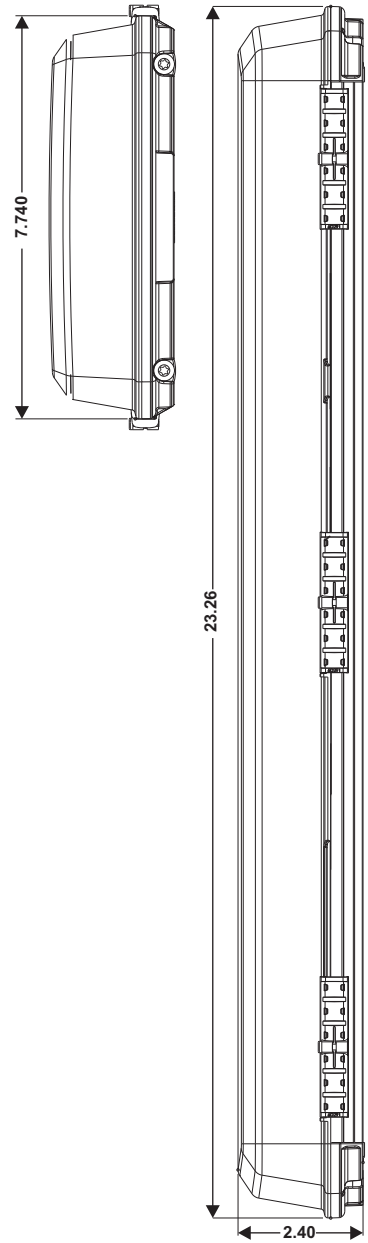
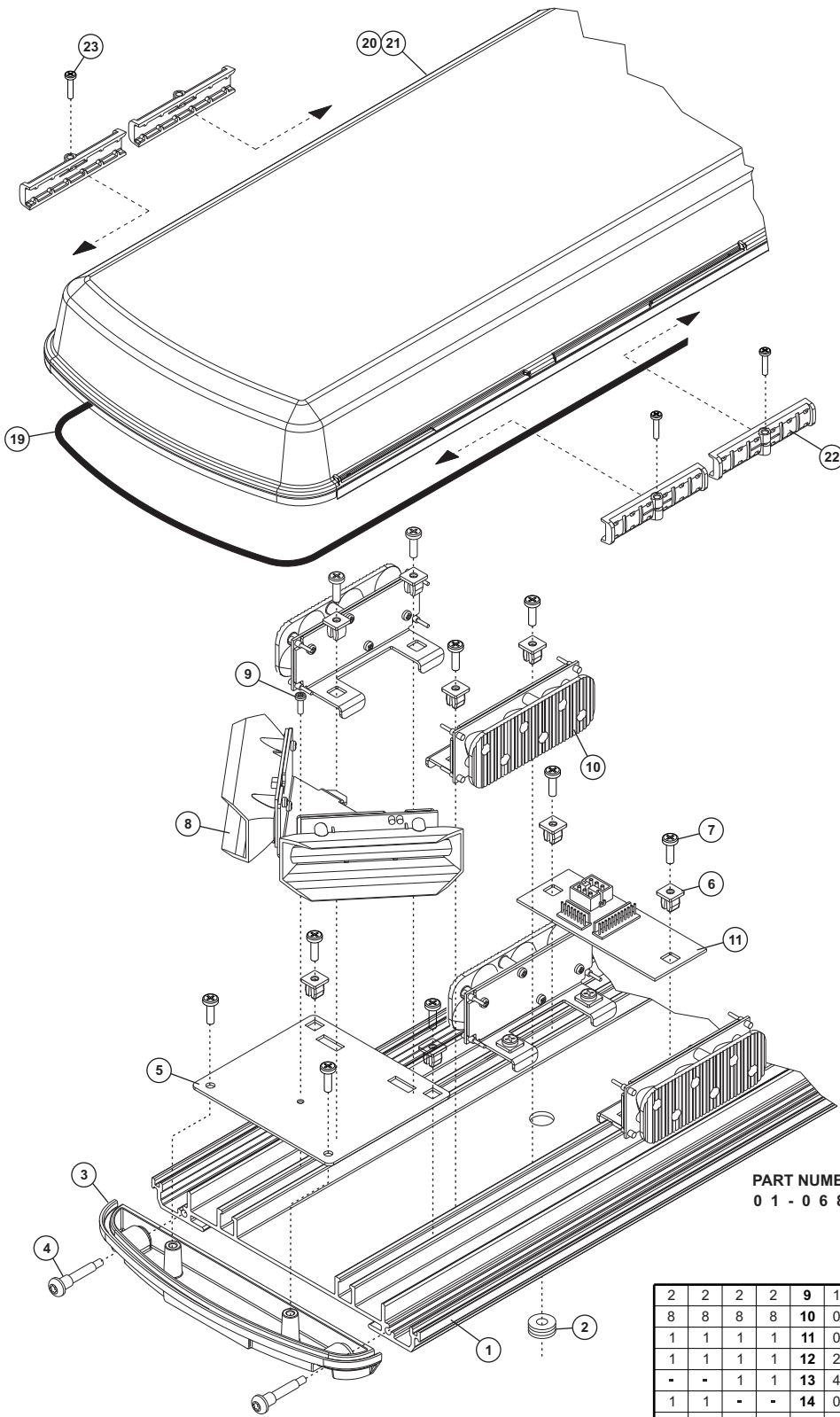
0 1 - 0 6 8 7 1 2 1 -

MOUNTING
LED/DOME COLOR

LED/DOME COLOR MOUNTING
A = AMB/AMB P = PERM
1 = AMB/CLR S = STUD
M = MAG V = VAC

QTY	QTY	QTY	QTY	ITEM	PART NUMBER	DESCRIPTION
		*			01-0687121-_P	CENTURY AMBER ESSENTIALS, 16" PERM MT
		*			01-0687121-_S	CENTURY AMBER ESSENTIALS, 16" STUD MT
		*			01-0687121-_M	CENTURY AMBER ESSENTIALS, 16" MAG MT
		*			01-0687121-_V	CENTURY AMBER ESSENTIALS, 16" VAC MT
1	1	1	1	1	11-36D692-013	BASE, EXTRUDED CENTURY 13.675" MACHINED
1	1	1	1	2	21-11101610-0	GROMMET, 5/16 ID X 1/2 HOLE
2	2	2	2	3	02-0344217-00	ENDCAP/WHELEN LABEL CENTURY LIGHTBAR
4	4	4	4	4	14-104286-16J	SCREW, 10-24 X 1.25" WAX DIP SHLDR PHTX TRI PT SS
2	2	2	2	5	07-76D682-000	PLATE, CORNER MNT DUAL L32 CENTURY LTBAR
14	14	14	14	6	21-17060704-3	GROMMET, PLAS #8/10 .275-.290 SQ HOLE, .057 HD HT

18	18	18	18	7	15-081416-080	SCREW, 8 X 1/2 PPHSMS 410 SS
2	2	2	2	8	01-026D523111	LED CORNER AMB/AMB CENTURY LIGHTBAR
2	2	2	2	9	14-040285-063	SCREW, 4-40 X 3/8 TORX PH TRILOB 410 SS, BLK OX
4	4	4	4	10	01-026D679-10	ASSY, 6 TIR 10 X 30, CENTURY LIGHTBAR
1	1	1	1	11	02-016D408-06	ASSY, PCB 4 CH FLASHER 6 WIRE CENTURY LTBAR
1	1	1	1	12	25-0820060-05	COMMONING TAB, 2 POS
-	-	1	1	13	46-0744279-00	ASSY, INPUT PIGTAIL, AMBER ESSENTIALS MINI
1	1	1	-	14	02-0243700-02	CORD, CIG PLUG 2 SWITCH AMP SCKTS 10' 20 GA
2	2	2	2	15	26-0215001-06	TY WRAP, 6" BLACK
1	1	-	-	16	39-0406324-04	HSNG, 6 POS SCKT MOTOR MT COMM MATE-N-LOK
1	1	1	1	17	46-0787081-00	ASSY, HARNESS WARNING LIGHTS MINI CENTURY
A/R	A/R	A/R	A/R	18	26-0215001-03	TY WRAP, 3" BLACK
44.4"	44.4"	44.4"	44.4"	19	38-0523713-00	SEAL, EXTRUDED CENTURY LTBAR
A/R	A/R	A/R	A/R	20	68-1987108-10	DOME, AMBER OPTIC 16" CENTURY
A/R	A/R	A/R	A/R	21	68-1987108-30	DOME, CLEAR OPTIC 16" CENTURY
4	4	4	4	22	19-36D291-000	CLAMP, SLIDE-LOCK LENS MNT CENTURY LT BAR
4	4	4	4	23	15-04541A-080	SCREW, 4 X 1/2 PPH PLASTILOC ZINC BLACK, SS
1	1	1	1	24	10-0523732-00	LABEL, PN/MN/SN CENTURY SERIES
-	-	-	1	25	01-0444306-00	KIT, PERM MOUNT, AMBER ESSENTIALS, CENTURY
-	1	-	-	26	01-0444307-00	KIT, MAGNETIC MNT, AMBER ESSENTIALS, CENTURY
-	-	1	-	27	01-0444251-01	KIT, STUD MOUNT, AMBER ESSENTIALS, CENTURY
1	-	-	-	28	01-0444308-00	KIT, SUC/MAG MNT, AMB ESSENTIALS, CENTURY



PART NUMBER KEY:
0 1 - 0 6 8 7 1 2 2 -

LED/DOME COLOR
A = AMB/AMB
1 = AMB/CLR

MOUNTING
P = PERM
S = STUD
M = MAG
V = VAC

MOUNTING
LED/DOME COLOR

QTY	QTY	QTY	QTY	ITEM	PART NUMBER	DESCRIPTION
		*			01-0687122-_P	CENTURY AMBER ESSENTIALS, 23" PERM MT
		*			01-0687122-_S	CENTURY AMBER ESSENTIALS, 23" STUD MT
	*				01-0687122-_M	CENTURY AMBER ESSENTIALS, 23" MAG MT
	*				01-0687122-_V	CENTURY AMBER ESSENTIALS, 23" VAC MT
1	1	1	1	1	11-36D692-020	EXTRUSION, MACHINED 20" CENTURY LIGHTBAR
1	1	1	1	2	21-11101610-0	GROMMET, 5/16 ID X 1/2 HOLE
2	2	2	2	3	02-0344217-00	SUB ASSY, ENDCAP/WHELEN LABEL CENTURY LIGHTBAR
4	4	4	4	4	14-104286-16J	SCREW, 10-24 X 1.25" WAX DIP SHOULDER PHTX TRI PT SS
2	2	2	2	5	07-76D682-000	PLATE, CORNER MOUNT DUAL L32 CENTURY LIGHTBAR
22	22	22	22	6	21-17060704-3	GROMMET, PLASTI- #8/10 .275-.290 SQ HOLE, .057 HD HT
26	26	26	26	7	15-081416-080	SCREW, 8 X 1/2 PPHSMS 410 SS
2	2	2	2	8	01-026D523111	SUB ASSY, 6 LED CORNER AMB/AMB CENTURY LIGHTBAR

2	2	2	2	9	14-040285-063	SCREW, 4-40 X 3/8 TORX PH TRILOBULAR 410 SS, BLK OX.
8	8	8	8	10	01-026D679-10	ASSY, 6 TIR 10 X 30, CENTURY LIGHTBAR
1	1	1	1	11	02-016D408-06	ASSY, PCB 4 CH FLASHER 6 WIRE CENTURY LTBAR
1	1	1	1	12	25-0820060-05	COMMONING TAB, 2 POS
-	-	1	1	13	46-0744279-00	ASSY, INPUT PIGTAIL, AMBER ESSENTIALS MINI
1	1	-	-	14	02-0243700-01	CORD, CIGAR PLUG 2 SWITCH / 6 POS SCKT 10' 20 GA
2	2	2	2	15	26-0215001-06	TY WRAP, 6" BLACK
1	1	-	-	16	39-0406324-04	HOUSING, 6 POS SCKT MOTOR MT COMM MATE-N-LOK
1	1	1	1	17	46-0787081-01	ASSY, HARNESS WARNING LIGHTS MINI CENTURY 23"
A/R	A/R	A/R	A/R	18	26-0215001-03	TY WRAP, 3" BLACK
5.06	5.06	5.06	5.06	19	38-0523713-00	SEAL, EXTRUDED CENTURY LTBAR
A/R	A/R	A/R	A/R	20	68-1986987-12	DOME, AMB OPTIC CLOSED END CENTURY LIGHTBAR
A/R	A/R	A/R	A/R	21	68-1986987-32	DOME, CLR OPTIC CLOSED END CENTURY LIGHTBAR
6	6	6	6	22	19-36D291-000	CLAMP, SLIDE-LOCK LENS MNT CENTURY LIGHTBAR
4	4	4	4	23	15-04541A-080	SCREW, 4 X 1/2 PPH PLASTILOC ZINC BLACK, SS
1	1	1	1	24	10-0523732-00	LABEL, PN/MN/SN CENTURY SERIES
-	-	-	1	25	01-0444306-00	KIT, PERM MOUNT, AMBER ESSENTIALS, CENTURY
-	1	-	-	26	01-0444307-00	KIT, MAGNETIC MOUNT, AMBER ESSENTIALS, CENTURY
-	-	1	-	27	01-0444251-01	KIT, STUD MOUNT, AMBER ESSENTIALS, CENTURY
1	-	-	-	28	01-0444308-00	KIT, SUCTION/MAG MT, AMBER ESSENTIALS, CENTURY